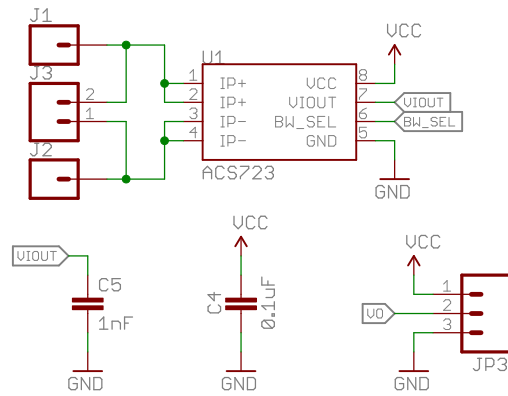
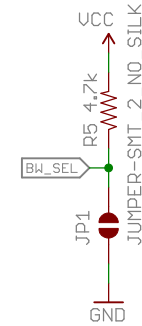


ACS723LLCTR-05AB-T2

Bandwidth Select



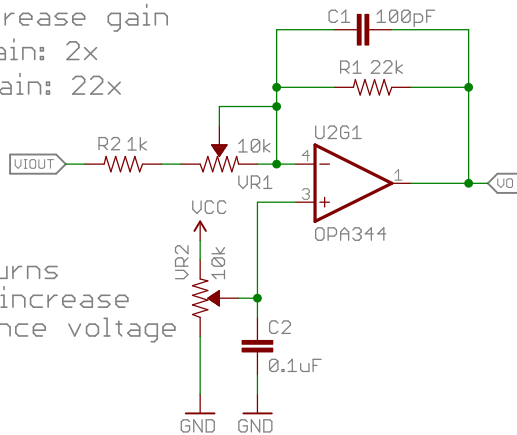
NOTES:
 -UCC: 4.5V-5.5V
 -Current Range: +/-5A



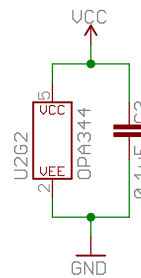
JP1 (Sets bandwidth):
 OPEN = 20kHz Low Noise (default)
 CLOSED = 80kHz

Opamp

VR1 (GAIN): turns counter-clockwise to increase gain
 Min Gain: 2x
 Max Gain: 22x



UR2 (UREF): turns clockwise to increase output reference voltage



Released under the Creative Commons Attribution Share-Alike 4.0 License
<https://creativecommons.org/licenses/by-sa/4.0/>

TITLE: ACS723_Low_Current_Sensor

Design by: Pete Dokter
 Revised by: Eric Orosel
 REV: v10

Date: 6/20/2018 6:15 AM Sheet: 1/1