

Package Included

1x Bubble Machine 1x Power Adapter (output 9V 1.2A) 1x User Manual

Thank you for purchasing our Bubble Machine. Please read the instructions and warnings carefully before use to ensure safety and your satisfaction of this product.

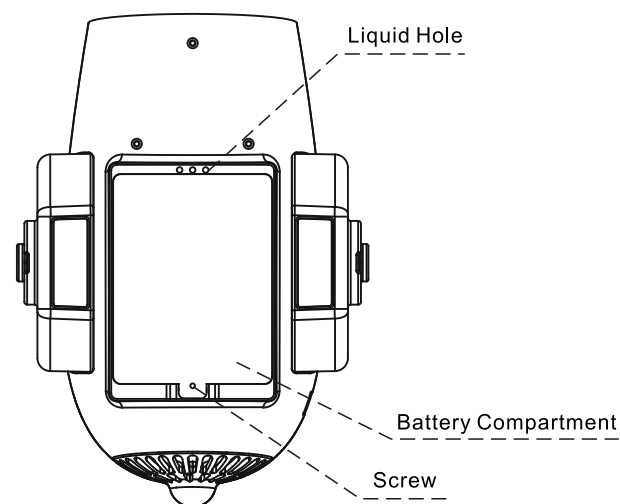
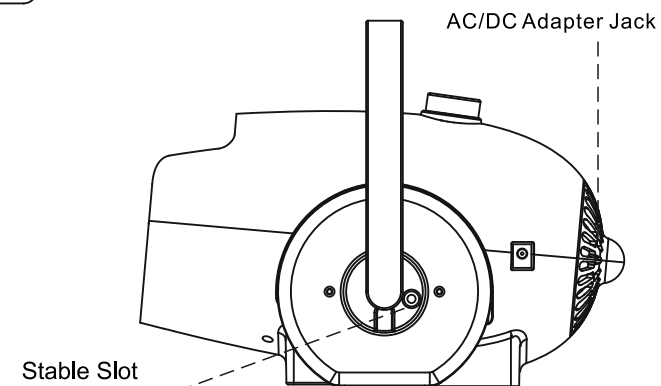
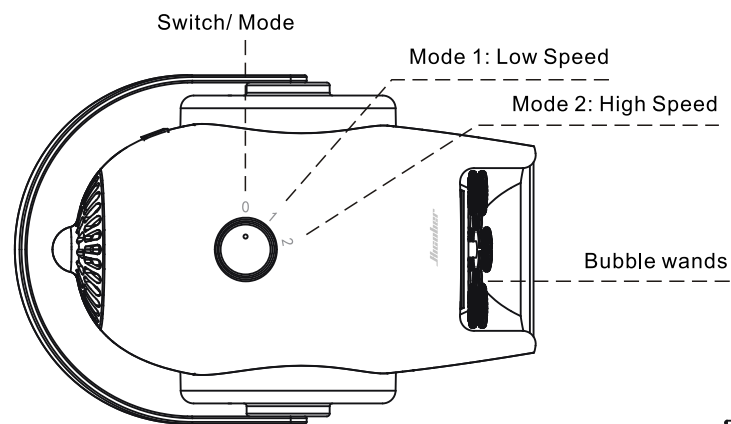
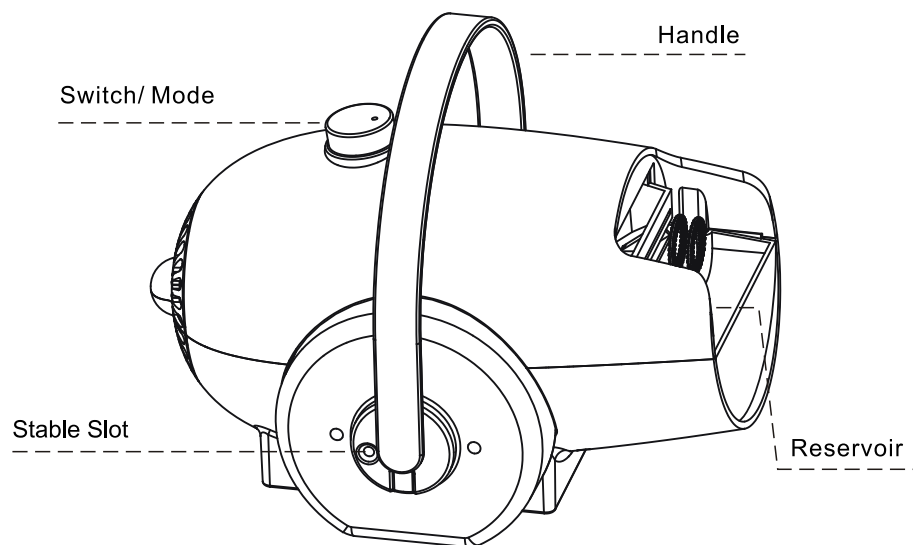
Important Safety Information

1. Please do NOT exceed the maximum capacity line of the reservoir when pour the bubble liquid.
2. Maximum capacity for bubble liquid of this reservoir is 200ml.
3. For electrical safety, please do NOT connect AC power adapter when put in C battery.
4. Please do not tilt the machine in case the bubble liquid damages the motor by flowing into the rear chamber.
5. Please wipe away the residues of bubble liquid in the reservoir with a rag to keep the machine clean.
6. Please purchase safe and authentic bubble liquid. Homemade soapy water may not make a lot of bubbles.

WARNING!

1. Not for children under 3 years of age.
2. Children under 8 should be custody by adults in case of electric shock hazards.
3. Do not use in the rain as this may lead to a short circuit.

Product Details

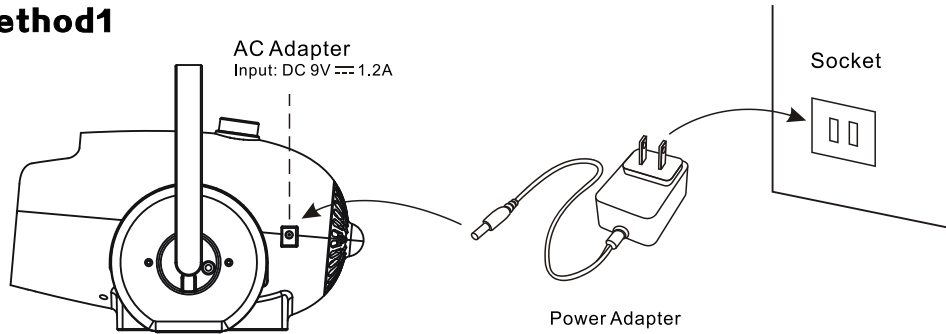


Duration

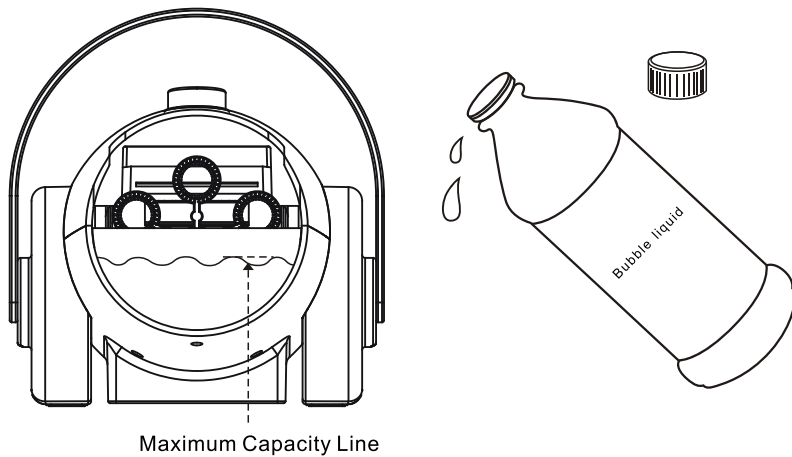
Mode	Bubble Liquid Volume	Duration of Continuous Bubbles
Low Speed (1)	Max: 200ml	About 50 min
High Speed (2)	Max: 200ml	About 38 min

Steps to Use

Method1

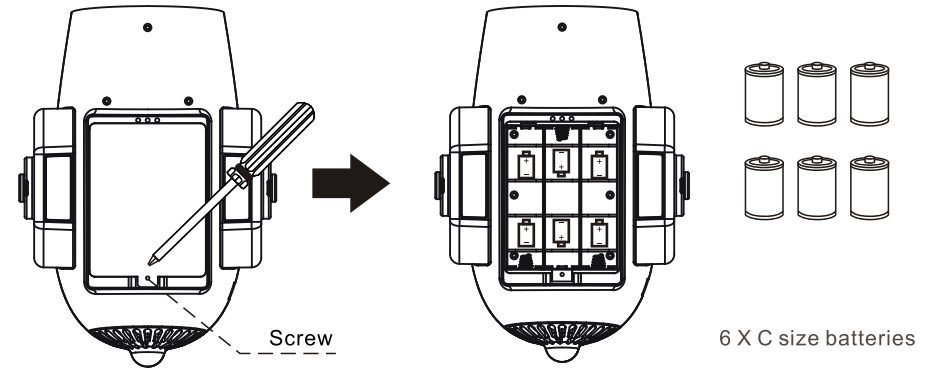


- Step 1: Place the bubble machine where you need it to be.
- Step 2: Plug the AC power connector into the power jack.
- Step 3: Plug the AC power adapter to the socket.
- Step 4: Pour the bubble liquid to the reservoir, do NOT exceed the maximum capacity line of the reservoir.
- Step 5: Switch on and enjoy the bubbles.

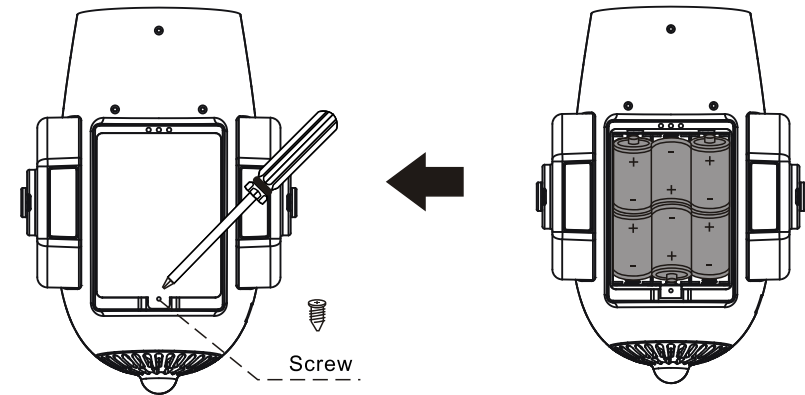


Method 2:

Put in the Batteries/without Power Adapter(Batteries and Screwdriver Are Not Included)



- Step 1: Open the battery compartment with a screwdriver
- Step 2: Put in 6 C batteries properly.



- Step 3: Close the battery compartment and tighten the screws.
- Step 4: Put the bubble machine wherever you need it to be.
- Step 5: Pour the bubble liquid to the reservoir.
The bubble liquid cannot exceed the maximum capacity line.
- Step 6: Turn the switch to enjoy the fun of the bubbles.

Run out of Batteries

When use the batteries, if the wands rotate slowly or cannot form bubbles, it might be out of batteries. Please replace the battery in time.

Notice: Can't be charged or recharged with rechargeable battery. But can plug in the adapter and go.

Note: Please dispose of the batteries properly after use for the sake of ecosystem.