



PROFESSIONAL SERIES 750™

Owner's Manual

Read and save these instructions



Vita-Mix® Corporation
8615 Usher Road
Cleveland, OH 44138-2103 U.S.A.
1.800.848.2649/ 1.440.235.4840
vitamix.com

CONTENTS

Contents	2
Let's Get Started	3
Symbols	3
Service and Registration	4
Important Safeguards	5
Parts and Features	7
Control Panel.....	9
About the Blades.....	11
Tamper	12
How to Use the Tamper	13
Hints for Setting Speeds.....	14
Operating Instructions	15
Care and Cleaning	17
Troubleshooting	19
Warranty.....	20
Notes	23
Specifications.....	24

LET'S GET STARTED

Congratulations!

You are about to see how quick, easy and delicious healthy eating can be!

Before first use:

1. Please read all the safety information, warnings and instructional material found in this booklet.
2. Set your Vitamix machine on a dry, level surface.
3. Carefully remove the cable tie on the power cord.
4. Make sure the power switch is set to Off. Plug the machine into an grounded electrical outlet.
5. Follow the cleaning instructions on page 17 to prepare your machine for use.

SYMBOLS



Caution



Never touch moving parts. Keep hands and utensils out of container.



Electrical shock hazard



Operate with lid and lid plug in place



High temperature when blending hot liquids



Read and understand owner's manual



Do not insert items into container while blender is in use



Do not immerse



Unplug while not in use, before cleaning, changing accessories or approaching parts that move in use

SERVICE AND REGISTRATION

Vitamix Service

Record the model number and serial number of your Vitamix in the spaces provided below for future reference. These numbers can be found on the back of the motor base.

Model Number _____

Serial Number _____

Date of Purchase _____

Purchased From _____

Before returning this product for any reason, including repair, first contact Vitamix Customer Service at 1.800.848.2649 or 1.440.235.4840, email service@vitamix.com, or contact your local dealer.

Product Registration

If you purchased your Vitamix® machine directly from the Vita-Mix® Corporation via the company's website or call center by phone, your product was registered at the time of purchase and your Vitamix machine's warranty has been activated.

If you purchased your Vitamix machine from an International Distributor or Dealer in countries other than the United States, Canada, United Kingdom, or Ireland, your product is warranted through the International Distributor or Dealer and need not be registered with the Vita-Mix Corporation.

Your machine is not yet registered with Vitamix if you:

1. Purchased from a Dealer in the United States, Canada, United Kingdom, or Ireland
2. Purchased from a military base
3. Purchased from a retail or wholesale store
4. Received your Vitamix machine as a gift
5. Are not the original owner of the machine

Enjoy faster and easier service in the future by taking a few minutes to register your Vitamix machine today.

Choose one of these easy ways to register your machine:

1. Online at vitamix.com/warranty
2. Email service@vitamix.com
3. Call 1.800.848.2649 or 1.440.235.4840

Your warranty may be honored by Vita-Mix® Corporation or an authorized dealer.

Failure to register your machine will not diminish your warranty rights.

IMPORTANT SAFEGUARDS



WARNING: To avoid the risk of serious injury when using your Vitamix® blender, basic safety precautions should be followed, including the following.

READ ALL INSTRUCTIONS, SAFEGUARDS, AND WARNINGS BEFORE OPERATING BLENDER.

1. Read all instructions.
2. Not intended for use by or near children or persons with reduced physical, sensory, or mental capabilities or lack of experience and knowledge. Close supervision is necessary when any appliance is used by or near children or incapacitated persons.
3. To protect against the risk of electrical shock, do not put the blender base in water or other liquid.
4. Unplug from outlet when not in use, before putting on or taking off parts, and before cleaning.
5. Avoid contacting moving parts.
6. Do not operate any appliance with a damaged cord or plug or after the appliance malfunctions, or is dropped or damaged in any manner. Call Vitamix Customer Service at 1.800.848.2649 or 1.440.235.4840 or email service@vitamix.com at once for examination, repair, replacement, or electrical or mechanical adjustment. If purchased outside the U.S.A. or Canada, contact your local Vitamix dealer.
7. Alteration or modification of any part of the blender base or container, including the use of any part or parts that are not genuine authorized Vitamix parts, may cause fire, electric shock, or injury.
8. The use of attachments not expressly authorized or sold by Vitamix for use with this blender, including canning jars, may cause fire, electric shock, or injury.
9. Do not use outdoors.
10. Do not let cord hang over edge of table or counter.
11. Do not let cord contact hot surface, including the stove.
12. Keep hands and utensils out of container while blending to reduce the risk of severe injury to persons or damage to the blender. A rubber scraper or spatula may be used, but only when the Vitamix blender is not running.
13. The tamper provided must be used only when the main part of the lid is in place.
14. Blades are sharp. Handle or remove blade and blade assembly from the container with extreme care to avoid injury. To reduce the risk of injury, never place a blade assembly on the motor base unless assembled to the Vitamix container.
15. Do not leave foreign objects, such as spoons, forks, knives or the lid plug, in the container as this will damage the blades and other components when starting the machine and may cause injury.
16. Never attempt to operate with damaged blades.
17. Do not leave foreign objects, such as spoons, forks, knives or the lid plug, in the container as this will damage the blades and other components when starting the machine and may cause injury.

Important Safeguards continues on page 6

IMPORTANT SAFEGUARDS

18. Never attempt to operate with damaged blades.
19. Always operate blender with lid and lid plug firmly in place. The lid plug should be removed only when adding ingredients and when using the tamper.
20. When blending hot liquids or ingredients, use caution; spray or escaping steam may cause scalding and burns. Do not fill container to the maximum capacity. Always begin processing on the lowest speed setting, variable speed 1. Keep hands and other exposed skin away from the lid opening to prevent possible burns.
21. When making nut butters or oil-based foods, do not process for more than one minute after the mixture starts to circulate in the container. Processing for longer periods can cause dangerous overheating.

SAVE THESE INSTRUCTIONS

⚠ WARNING



To Avoid Injury.

Read and understand instruction manual before using this machine.



IMPORTANT INSTRUCTIONS FOR SAFE USE

This product is intended for HOUSEHOLD USE ONLY and is not intended to be used for commercial purposes.

Do not leave your Vitamix blender unattended when operating.

Any repair, servicing, or the replacement of parts must be performed by Vitamix or an authorized service representative.

⚠ WARNING



Electrical Shock Hazard.

Use grounded outlet only.

DO NOT remove ground.

DO NOT use an adapter.

DO NOT use an extension cord.

Always unplug before cleaning the motor base or when not in use.

Do not put the motor base in water or other liquid.

Failure to follow instructions can cause death or electrical shock.



NOTICE: THE FAILURE TO FOLLOW ANY OF THE IMPORTANT SAFEGUARDS AND THE IMPORTANT INSTRUCTIONS FOR SAFE USE IS A MISUSE OF YOUR VITAMIX BLENDER THAT CAN VOID YOUR WARRANTY AND CREATE THE RISK OF SERIOUS INJURY.

PARTS AND FEATURES



1 On/Off Switch: The On/Off (or Power) Switch is on the right side of the machine base. The On/Off Switch controls the power to the machine. When the Pulse and Start / Stop Symbols brighten, the On/Off Switch is in the On position and power is flowing.

2 Control Panel: For more information, refer to Control Panel on Page 9.



CAUTION: Lids and tampers are not interchangeable between different container styles, types and sizes. For more information, refer to Tamper on Page 12.

3 Low-profile 64-oz. capacity container with 2-part lid:

- Always use the lid and the lid plug when the machine is in operation
- Never operate the blender without checking to make sure that the lid is securely locked in place.
- Ounces, Milliliters and Cups are clearly marked.
- Insert the lid plug through the lid and secure by turning clockwise.
- Remove the lid plug to use the tamper or to add ingredients.

4 Tamper: Using the tamper maintains circulation by preventing air pockets from forming during blending.

Parts and Features continues on page 8

PARTS AND FEATURES

⚠ WARNING



Rotating Blades Can Cause Severe Injury.

DO NOT reach into the container while the machine is running.

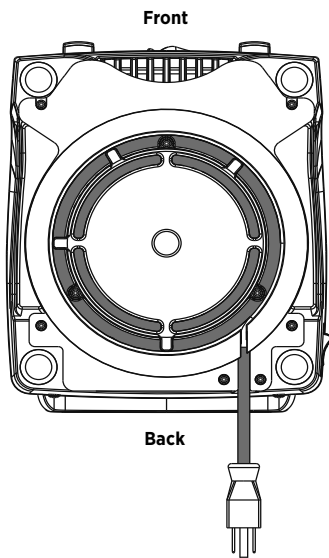


To Lock the Lid in Place: Position the lid on the container with the lid flaps midway between the spout and the handle. Push the lid onto the container until it locks into place. The lid must always be secured when processing, especially when blending hot liquids that may scald. **Never operate the blender without checking to make sure that the lid is securely locked in place.**

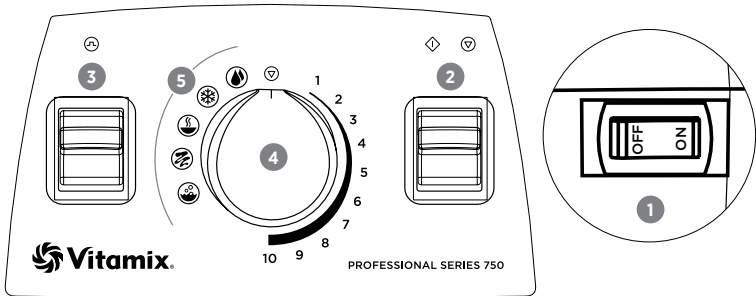
To Remove the Lid: Lift up on one lid flap, while holding the container securely.

To Remove the Lid Plug: Rotate the lid plug anti-clockwise from the “locked” to the “unlocked” position and lift out.

Power Cord: Your machine is equipped with a long power cord. Store the unused portion neatly underneath. Plastic cable retainers hold the cord securely. They are flexible and return to position after the cord is lifted out.



CONTROL PANEL



1. On/Off Switch:

The On/Off (or Power) Switch is located on the lower right-hand side of the machine. The On/Off Switch controls the power to the machine.

BEFORE moving the On/Off Switch to the On (I) position, make sure the marker on the Variable Speed Dial is pointed at the Stop Symbol (⊕) at the top of the dial.

After plugging in the unit, move the On/Off Switch to the On position to ready the machine for blending. Move the On/Off Switch to the Off position at night and whenever the machine will be left unattended.

If the On/Off switch is moved to the Off position to stop a program mid-cycle, wait 30 seconds for power to recycle and the timer to reset before moving the On/Off switch to the On position.

When the Pulse and Start/Stop Symbols brighten, the On/Off Switch is in the On position and power is flowing.

2. Start (⬅️)/Stop (⊕) Switch:

After the marker on the Variable Speed Dial is rotated off of the Stop Symbol (⊕) to either Variable Speed 1 or a Program setting, press the Start/Stop Switch to start the machine and initiate the blending process. Pressing the Start/Stop Switch again will stop the blending process.

Programs can be interrupted by pushing down the Start/Stop switch at any time. If reactivated by pushing down the Start/Stop switch, the program will start at the beginning.

3. Pulse Switch (⊕):

Variable Speed: Pressing down on the Pulse Switch will cause the machine to blend at the speed setting shown on Variable Speed Dial for as long as the Pulse Switch is held down.

Programs: The Pulse function can be used when a program is selected. Pushing down the Pulse switch when a program is selected will cause the machine to run at 50% of high power for as long as the Pulse switch is pushed down.

Control Panel continues on page 10

CONTROL PANEL

⚠ CAUTION



Never Start on Speeds Above 1 with Hot Liquids to Avoid Possible Burns.

Escaping steam, splashes or contents may scald.

To secure the contents, lock the lid and lid plug securely in place prior to operating the machine.

Always start on Variable 1, slowly increase to 10.



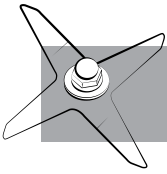
4. Variable Speed Dial:

The Variable Speed Dial serves two functions; the use of five program settings or ten Variable Speed settings.

- To use programs: rotate the Variable Speed Dial to the left to the desired program.
- To use Variable Speed:
 - a. Rotate the Variable Speed dial right to 1.
 - b. To activate the blending process, press down on the Start/Stop Switch.
 - c. Rotate the Variable Speed dial to the right or left during blending to increase or decrease the speed of the blades.
 - d. At the end of the blending cycle, rotate the marker on the Variable Speed dial back to the Stop Symbol (Ⓢ) at the top of the dial.

5. Programs:

Your Professional Series 750 is equipped with five program settings for the most commonly used recipes. Rotating the Variable Speed Dial left of center allows you to select a program for Smoothies, Frozen Desserts, Soups, Purées, and a Cleaning cycle.



ABOUT THE BLADES

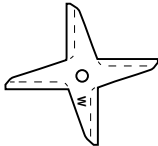
The wet-blade container comes as standard with the Vitamix machine. The blade is identified by a “W” for wet. This blade is used for most of your recipes. Additional containers with wet or dry blades may be purchased separately.

⚠ WARNING

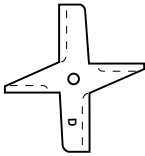


Rotating Blades Can Cause Severe Injury.

DO NOT reach into the container while the machine is running.



Wet-Blade Container: Designed for processing liquids, including juice, frozen mixtures, sauces, soup, purées, batter, and for wet chopping. The wet blades can also process grain and knead dough, but they are not quite as efficient as the dry blades in this application. See instructions for dry container use.



Dry-Blade Container: These blades are clearly marked “D” and are designed specifically for processing dry materials such as grain, cereal and coffee, and are also used for kneading bread dough. The dry blades CANNOT process liquids efficiently. **If you prepare herbs on a regular basis, you may wish to purchase a separate dry-blade container.**

⚠ CAUTION



Moving Parts May Become Hot with Extended Use.

DO NOT touch.



TAMPER

CAUTION



Rotating Blades Can Cause Damage.

Lids and tampers are not interchangeable between different container styles, types and sizes. Use the tamper that was supplied with your machine.

How to Determine the Tamper to be Used with Your Container

Before using a tamper during the blending process, verify that you have the correct tamper. **If a tamper came with your machine and container at purchase, it is the correct tamper to use.** If a tamper did not come with your container or you want to determine if a tamper that you already have can be used with your new container, please see the inspection steps and illustration below.

1. Place the lid on an empty container.
2. Remove the lid plug and insert the tamper. The tamper should fit easily into the opening. It should not come into contact with the blades no matter where you move the tamper inside the container
3. Visually inspect: **IF THE TAMPER TOUCHES THE BLADES AT ANY ANGLE, DO NOT USE THE TAMPER WITH YOUR CONTAINER.**
4. If you do not have the correct tamper for your container, contact Vitamix Household Customer Service at 1.800.848.2649 or 1.440.235.4840.

<p>64 oz. / 2,0 L (SHORT)</p>	<p>64 oz. / 2,0 L (TALL)</p>	<p>48 oz. / 1,4 L</p>	<p>32 oz. / 0,9 L</p>	
<p>64 oz. / 2 L Short Container uses a tamper which is approx. 11 in. long.</p>	<p>64 oz. / 2 L Tall Container uses a tamper which is approx. 12-½ in. long.</p>	<p>48 oz. (1.4 L) and 32 oz. (0.9 L) Containers use a tamper which is approx. 9-¾ in. long.</p>		<p>A non-step tamper must not be used with any of the containers.</p>

HOW TO USE THE TAMPER

⚠ WARNING



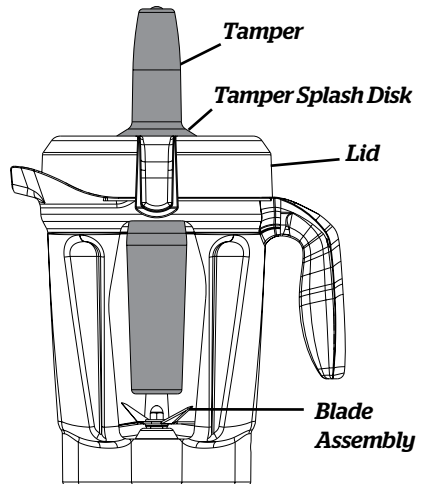
Rotating Blades Can Cause Severe Injury.

- **DO NOT** put hands, spatulas etc. into the container while the machine is running or while the container is still on the base.
- Lids and tampers are not interchangeable between different container styles, types and sizes. Use the tamper that was supplied with your machine.



IMPORTANT!

- The splash disk (near the top of the tamper) and lid prevent the tamper from hitting the blades when the lid is secured properly in the locked position.
- The container should not be more than two-thirds full when the tamper is used during blending.
- To avoid overheating during blending, **DO NOT** use the tamper for more than 30 consecutive seconds.
- If the food does not circulate, the machine may have trapped an air bubble. Carefully remove the lid plug, while making sure the lid stays firmly in place. Release the air bubble by inserting the tamper through the lid plug opening.
- Holding the tamper straight down may not help the ingredients circulate. If necessary, point the tamper towards the sides or corners of the container. **DO NOT** try to force the tamper more deeply into the container.



HINTS FOR SETTING SPEEDS

CAUTION



Never Start on Speeds Above 1 with Hot Liquids to Avoid Possible Burns.

Escaping steam, splashes or contents may scald.

To secure the contents, lock the lid and lid plug securely in place prior to operating the machine.

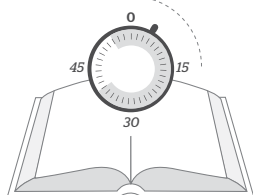
Always start on Variable 1, slowly increase to 10.



Variable Speed

Before using the Variable Speed option, always begin with the Variable Speed Dial marker pointed at the Stop Symbol (⊖) at the top of the dial.

- Rotate the dial right to Variable Speed 1.
- To activate the blending process, press down on the Start/Stop Switch.
- Slowly turn the Variable Speed Dial to the desired speed depending on the recipe used.
- At the end of the blending cycle, rotate the Variable Speed dial back to the Stop Symbol (⊖) at the top of the dial.



Use the highest setting called out in the recipe for as much of the processing time as possible to make whole-food juices, soups, shakes, frozen mixtures, purées, nut butters, and for grinding grains. Processing times will generally be less than one minute (most take less than 30 seconds). Higher speed provides the best quality of refinement.

Blending too long at too low of a speed setting will overheat the machine and cause the Automatic Overload Protection to turn off the machine.

Blending on higher speed maximizes the motor's cooling fan to avoid overheating.

If the mixture stops circulating, you may have trapped an air bubble. To resolve, insert the tamper through the lid plug and stir until it "burps." If this does not work, press the On/Off switch to stop the motor. Remove the container from the motor base, and use a rubber spatula to press the air bubble away from the blades. Return the container to the motor base, replace the lid, and continue blending.

Programs

Programs vary in blending speed and duration and will automatically stop at the end of the program.

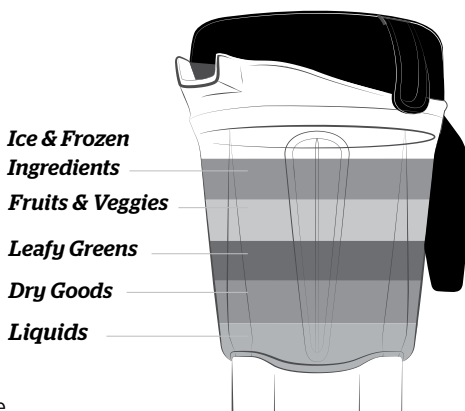
OPERATING INSTRUCTIONS

During your first few uses, you may notice a slight burning odor as the motor is primed. This is completely normal and will dissipate quickly.

Before you begin, look at the control panel. Make sure that the Variable Speed Dial pointed at the Stop Symbol (Ⓢ) at the top of the dial.

1. Before beginning to blend, look at the control panel to make sure the Variable Speed Dial is pointed to the Stop Symbol (Ⓢ) on the control panel.
2. Load the ingredients into the container according to the recipe.

3. Securely fasten the 2-part lid. Always use the complete 2-part lid when blending (unless the tamper is inserted through the lid plug opening). Especially when blending hot ingredients, make sure that the lid is securely latched.
4. With the motor off, set the container on the motor base by aligning it over the centering pad. Do not ever attempt to put a container on an operating motor base or to operate a motor base without a container properly in place.





5. Use the Variable Speed dial to select a function.
 - Variable Speed: Rotate the dial right of center to Variable Speed 1.
 - Programs: Rotate the dial left of center to the desired program.
6. Activate the blades by pressing the Start/Stop Switch. Your container may shift as it gets into an aligned position.
 - Variable Speed: slowly rotate the Variable Speed dial to the right to the desired speed.
 - Programs: The programs vary in blending speed and duration and will automatically stop at the end of the program. Programs can be interrupted by pushing down the Start/Stop switch at any time. If reactivated by pushing down the Start/Stop switch, the program will start at the beginning.
7. If the mixture stops circulating, you may have trapped an air bubble. To resolve, insert the tamper through the lid plug and stir until it “burps.” If this does not work, press the On / Off switch to stop the motor. Remove the container from the motor base, and use a rubber spatula to press the air bubble away from the blades. Return the container to the motor base, replace the lid, and continue blending.
8. **Take proper care when handling and processing hot ingredients and making hot soups and sauces.**

OPERATING INSTRUCTIONS

9. Due to the machine's speed, processing times are much quicker than standard appliances. Until you are accustomed to the machine, count your time carefully to avoid over-processing.
10. After pressing the Start/Stop switch to stop the cycle, wait until the blades stop completely before removing the lid or container from the motor base.

IMPORTANT NOTES ABOUT USE OF THE DRY CONTAINER:

⚠ CAUTION		
	<p>Never Start on Speeds Above 1 with Hot Liquids to Avoid Possible Burns.</p> <p>Escaping steam, splashes or contents may scald.</p> <p>To secure the contents, lock the lid and lid plug securely in place prior to operating the machine.</p> <p>Always start on Variable 1, slowly increase to 10.</p>	

- Grinding dry material for more than two minutes could damage your machine.
- Regular use may result in cosmetic marring of the container and cause the blades to become dull over time.
- Grinding some herbs may release oils, causing the container to discolor permanently.
- Others have strong odors that may linger in the container, affecting the flavor of other foods.
- The grinding of some herbs and spices may also cause the blade to dull over time, or the container to crack.

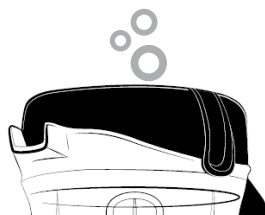
CARE AND CLEANING

To prepare your new machine for initial use, follow the steps under Normal Cleaning, below. This will clean the unit and break in the motor.

During your first few uses, you may notice a slight burning odor as the motor is primed. This is completely normal and will dissipate quickly.

Normal Cleaning

Before using the Variable Speed or Program options, always begin with the Variable Speed Dial pointed at the Stop Symbol (Ⓢ) at the top of the dial.



1. Fill the container half full with warm water and add a couple drops of liquid dish washing detergent to the container.
2. Snap or push the complete 2-part lid into the locked position.
3. Perform one of the following procedures:
 - Variable Speed:
 - a. Rotate the Variable Speed dial to 1.
 - b. Press the Start/Stop switch.
 - c. Slowly increase Variable Speed to 10.
 - d. Run the machine for 30 to 60 seconds.
 - e. Rotate the Variable Speed dial to the Stop Symbol (Ⓢ) at the top of the dial.
 - Program:
 - a. Rotate the Variable Speed dial to the Cleaning (🌀) program icon. The Cleaning (🌀) program will run for approximately 1 minute.
 - b. After the program stops, rotate the Variable Speed dial to the Stop Symbol (Ⓢ) at the top of the dial.
4. Rinse and drain the container.

To Sanitize

Before using the Variable Speed or Program options, always begin with the Variable Speed Dial pointed at the Stop Symbol (Ⓢ) at the top of the dial.

1. Follow the cleaning instructions above.
2. Fill the container half full with water and 1 ½ teaspoons of liquid bleach.
3. Snap or push the complete 2-part lid into the locked position.

CARE AND CLEANING

4. Perform one of the following procedures:
 - Variable Speed:
 - a. Rotate the Variable Speed dial to 1.
 - b. Press the Start / Stop switch.
 - c. Slowly increase Variable Speed to 10.
 - d. Run the machine for 30 to 60 seconds.
 - e. Rotate the Variable Speed dial to the Stop Symbol (⏹) at the top of the dial.
 - Program:
 - a. Rotate the Variable Speed dial to the Cleaning (🌀) program icon. The Cleaning (🌀) program will run for approximately 1 minute.
 - b. After the program stops, rotate the Variable Speed dial to the Stop Symbol (⏹) at the top of the dial.
5. Allow mixture to stand in the container for an additional 1 ½ minutes.
6. Pour bleach mixture out. Allow container to air dry.
7. Do not rinse after sanitizing.



Lid, Lid Plug and Tamper

Separate the lid and lid plug. Wash parts in warm, soapy water. Rinse clean under running water and dry. Reassemble before use.

IMPORTANT: To ensure continued and effective performance, do not put the container, lid, lid plug or tamper in the dishwasher.

Motor Base

1. Unplug the power cord.

⚠ WARNING		
	<p>Electrical Shock Hazard. Disconnect power before cleaning machine.</p> <p>Failure to follow instructions can cause death or electrical shock.</p>	

2. Wash the outside surface with a damp, soft cloth or sponge that has been rinsed in a mild solution of liquid detergent and warm water. Do not place the motor base in water.
3. The centering pad can be removed for more thorough cleaning.
4. Thoroughly clean the switches so they work freely. They may become sticky from use. Moisten a cotton swab with a household degreaser or cleaner and clean the grooves around the switches. Immediately dry all surfaces.
5. Polish with a soft cloth.

TROUBLESHOOTING

Automatic Overload Protection

Your Vitamix motor is designed to be protected from overheating during use. This feature will shut off the motor. The motor will possibly emit a slight odor. If the motor shuts off due to overheating while blending, allow the machine to cool for 20-45 minutes before beginning another blending cycle. If you continue to experience problems after following these instructions, contact our Customer Service Department at 1.800.848.2649 or 1.440.235.4840 for instruction.

Tips to prevent “overloading” your Vitamix machine:

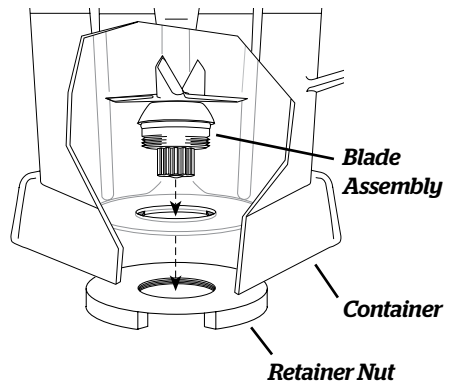
- Only process Vitamix recipes when learning to use the machine.
- Do not process recipes at lower speeds than those recommended.
- Do not process recipes at higher speeds than those recommended.
- Do not process recipes for longer than recommended.
- Use your tamper to process thicker mixtures and keep ingredients moving around and through the blades.

Retainer Nut Loosening

In the event that the retainer nut at the bottom of your container loosens and no longer securely holds the blade assembly in place, **DO NOT CONTINUE TO USE THE CONTAINER**. Call Vitamix Customer Service at 1-800-848-2649 or 1-440-235-4840, or your local dealer immediately for instructions.

Retainer Nut Loosening

In the event that the retainer nut at the bottom of your container loosens and no longer holds the blade assembly securely in place, **DO NOT CONTINUE TO USE THE CONTAINER**. Contact Vitamix customer service immediately for instructions.



WARRANTY

7-Year Full Machine Warranty

1. PRODUCT REGISTRATION.

Vita-Mix® Corporation (“Vitamix”) strongly encourages you to register your purchase by completing and returning the product registration card that came with this Machine. You can register online at vitamix.com/warranty; or by calling our Customer Service Department at 1.800.848.2649 or 1.440.235.4840. Failure to register your product purchase will not diminish your warranty rights. However, registering your purchase will allow Vitamix to better serve you with any of your customer service needs.

2. WHO CAN SEEK WARRANTY COVERAGE.

This Warranty is extended by Vitamix to the owner of this Machine for personal household use only. This Warranty does not apply to products used for commercial, rental or re-sale purposes. Should ownership of the machine change during the 7-year period, please update the Machine’s owner information at vitamix.com/warranty.

3. WHAT IS COVERED.

Vitamix warrants to the owner that if this Machine (a “Machine” consists of a motor blender base and any containers purchased together) fails within 7 years from the date of purchase due to a defect in material or workmanship or as a result of normal wear and tear from ordinary household use, Vitamix will, within 30 days of receipt of the returned product, repair the failed Machine or component part of the Machine free of charge.

If, in Vitamix’s sole discretion, the failed Machine or component part of the Machine cannot be repaired, Vitamix will elect to either (A) replace the Machine free of charge or (B) refund the full purchase price to the owner, unless Vitamix receives prior written notice of the owner’s preference.

4. WHAT IS NOT COVERED.

This Warranty does not apply to Machines that have been used commercially or in non-household applications. This Warranty does not cover cosmetic changes that do not affect performance, such as discoloration or the effects of the use of abrasives or cleaners or food build up. This Warranty is only valid if the Machine is used and maintained in accordance with the instructions, warnings and safeguards contained in the owner’s manual.

Vitamix will not be responsible for the cost of any unauthorized warranty repairs.

WARRANTY

REPAIR, REPLACEMENT OR REFUND OF THE PURCHASE PRICE ARE THE EXCLUSIVE REMEDIES OF PURCHASER AND THE SOLE LIABILITY OF VITAMIX UNDER THIS WARRANTY. NO EMPLOYEE OR REPRESENTATIVE OF VITAMIX IS AUTHORIZED TO MAKE ANY ADDITIONAL WARRANTY OR ANY MODIFICATION TO THIS WARRANTY WHICH MAY BE BINDING UPON VITAMIX. ACCORDINGLY, PURCHASER SHOULD NOT RELY UPON ANY ADDITIONAL STATEMENTS MADE BY ANY EMPLOYEE OR REPRESENTATIVE OF VITAMIX. IN NO EVENT, WHETHER BASED ON CONTRACT, INDEMNITY, WARRANTY, TORT (INCLUDING NEGLIGENCE), STRICT LIABILITY OR OTHERWISE, SHALL VITAMIX BE LIABLE FOR ANY SPECIAL, INDIRECT, INCIDENTAL OR CONSEQUENTIAL DAMAGES, INCLUDING, WITHOUT LIMITATION, LOSS OF PROFIT OR REVENUE.

Some states do not allow limits on warranties. In such states, the above limitations may not apply to you. Outside the U.S.A. and Canada, other warranties may apply.

5. WHAT VOIDS THIS WARRANTY.

Abuse, misuse, negligent use, alteration of the Machine, exposure to abnormal or extreme conditions, or failure to follow the operating instructions will void this Warranty.

The Warranty is also void if repairs to the Machine or any component part of the Machine are performed by someone other than either Vitamix or an authorized Vitamix Service Provider or if any component part of a Machine subject to this Warranty is used in combination with a motor base or container that is not expressly authorized by Vitamix.

6. HOW TO OBTAIN RETURN AUTHORIZATION UNDER THIS WARRANTY.

In the event that the Machine or any component part of the Machine needs service or repair, please call Vitamix Customer Service at 1.800.848.2649 or 1.440.235.4840. You will be asked to provide a date of purchase and proof of purchase for any product that has not been registered with Vitamix. For product subject to this Warranty you will be provided with a return authorization number, up-to-date shipping instructions and a pre-paid return pick up label. Vitamix will pay standard shipping costs on the return of a Machine or component part for warranty service and repair and for return shipment of the product to you after the warranty repair or replacement. Purchaser is responsible for the costs of special shipping requests.

Within the U.S.A. and Canada, this Warranty is honored directly through the Vita-Mix® Corporation.

WARRANTY

United States

Vita-Mix® Corporation
8615 Usher Road
Cleveland, Ohio 44138-2199
1.800.848.2649
service@vitamix.com

Canada

Vita-Mix® Corporation
200-1701 Shepherd Street East
Windsor, Ontario N8Y 4Y5
1.800.848.2649
service@vitamix.com

You will be deemed to have accepted the returned product “as is” upon delivery unless you notify Vitamix of any problem, including shipment damage, within 48 hours of delivery.

SPECIAL INTERNATIONAL INSTRUCTIONS

If a machine was purchased within the U.S.A. or Canada, but is currently outside the U.S.A. or Canada, all shipping and resulting taxes and duties are at the owner’s expense.
Call +1.440.235.4840 or email service@vitamix.com for more details.

SPECIFICATIONS

Professional Series 750™

Motor:

≈ 2.2 peak output horsepower motor

Electrical:

120 V, 50 / 60 Hz, 12 A

Uses a U.S.A. three-prong grounded cord

Dimensions:

Height: 17.4 in./44,2 cm

Width: 7.7 in./19,6 cm

Depth: 9.4 in./23,9 cm

When applicable:



To see the complete line of Vitamix® products,
visit vitamix.com.



Vita-Mix® Corporation
8615 Usher Road
Cleveland, OH 44138-2103 U.S.A.
1-800-848-2649/1-440-235-4840
vitamix.com

©2015 Vita-Mix® Corporation. No part of this publication may be reproduced or transmitted in any form or by any means or stored in a database or retrieval system without the written permission of the Vita-Mix® Corporation.



PROFESSIONAL SERIES 750^{MC}

Manuel d'utilisation

Veuillez lire et conserver ces instructions.



Vita-Mix^{MD} Corporation
8615 Usher Road
Cleveland, OH 44138-2103 États-Unis
1 800 848-2649/ 1 440 235-4840
vitamix.com

TABLE DES MATIÈRES

Table des matières.....	26
Avant de commencer	27
Symboles.....	27
Assistance technique et enregistrement.....	28
Consignes de sécurité importantes	29
Pièces et caractéristiques	31
Tableau de commande.....	33
À propos des couteaux.....	35
Pilon.....	36
Comment utiliser le pilon.....	37
Conseils pour le réglage des vitesses	38
Mode d'emploi.....	39
Entretien et nettoyage	41
Dépannage	43
Garantie	44
Remarques.....	47
Caractéristiques techniques	48

AVANT DE COMMENCER

Félicitations!

Vous êtes sur le point de constater combien une alimentation saine peut être rapide, simple et délicieuse!

Avant la première utilisation :

1. Veuillez lire toutes les consignes de sécurité, tous les avertissements et tout le matériel didactique se trouvant dans ce guide.
2. Placez votre appareil Vitamix sur une surface plane et sèche.
3. Retirez soigneusement l'attache de câble du cordon d'alimentation.
4. Assurez-vous que l'interrupteur d'alimentation est réglé à la position Off (Arrêt). Branchez l'appareil dans une prise électrique mise à la terre.
5. Suivez les instructions de nettoyage à la page 41 pour préparer votre appareil à sa première utilisation.

SYMBOLES



Attention



Évitez tout contact avec les pièces mobiles. Gardez les mains et les ustensiles hors du récipient.



Risque de décharge électrique



Faites fonctionner l'appareil uniquement lorsque le couvercle et le bouchon du couvercle sont en place



Température élevée lors du mélange de liquides chauds



Lisez et comprenez le manuel d'utilisation



N'insérez rien dans le récipient lorsque le mélangeur est en marche



N'immergez pas l'appareil



Débranchez l'appareil lorsqu'il n'est pas utilisé, avant de le nettoyer et avant de changer ou de manipuler des pièces mobiles

ASSISTANCE TECHNIQUE ET ENREGISTREMENT

Assistance technique Vitamix

Notez le numéro de modèle et le numéro de série de votre appareil Vitamix ci-dessous pour pouvoir vous y référer ultérieurement. Vous trouverez ces numéros à l'arrière du socle-moteur.

Numéro de modèle _____

Numéro de série _____

Date d'achat _____

Acheté de _____

Avant de retourner cet appareil pour quelque raison que ce soit, y compris une réparation, contactez d'abord le service à la clientèle de Vitamix en composant le 1 800 848-2649 ou le 1 440 235-4840 ou en envoyant un courriel à l'adresse service@vitamix.com, ou contactez le détaillant de votre région.

Enregistrement du produit

Si vous avez acheté votre appareil Vitamix^{MD} directement de Vita-Mix^{MD} Corporation par le biais du site Internet ou du centre d'appels (par téléphone) de l'entreprise, votre appareil a été enregistré au moment de l'achat et la garantie de votre appareil Vitamix a été activée.

Si vous avez acheté votre appareil Vitamix chez un distributeur ou un détaillant international dans un pays autre que le Canada, les États-Unis, le Royaume-Uni ou l'Irlande, votre appareil est garanti par le distributeur ou le détaillant international et n'a pas besoin d'être enregistré auprès de Vita-Mix Corporation.

Votre appareil n'est pas encore enregistré auprès de Vitamix si :

1. Vous l'avez acheté d'un détaillant au Canada, aux États-Unis, au Royaume-Uni ou en Irlande.
2. Vous l'avez acheté d'une base militaire.
3. Vous l'avez acheté dans un magasin de vente au détail ou en gros.
4. Vous avez reçu votre appareil Vitamix en cadeau.
5. Vous n'êtes pas le propriétaire original de l'appareil.

Nous serons en mesure de vous offrir un service d'assistance technique plus simple et plus rapide si vous prenez quelques minutes pour enregistrer votre appareil Vitamix dès aujourd'hui.

Choisissez l'une de ces méthodes pour enregistrer facilement votre appareil :

1. En ligne sur la page vitamix.com/warranty.
2. Par courriel à l'adresse service@vitamix.com.
3. Par téléphone au 1 800 848-2649 ou au 1 440 235-4840

Votre garantie peut être honorée par Vita-Mix^{MD} Corporation ou un détaillant autorisé.

Le fait de ne pas enregistrer votre appareil ne diminuera en rien vos droits de garantie.

CONSIGNES DE SÉCURITÉ IMPORTANTES



AVERTISSEMENT : afin d'éviter les risques de blessures graves lors de l'utilisation de votre mélangeur Vitamix^{MD}, des mesures de sécurité de base doivent être appliquées, y compris les suivantes.

LISEZ TOUTES LES INSTRUCTIONS, TOUTES LES CONSIGNES DE SÉCURITÉ ET TOUS LES AVERTISSEMENTS AVANT D'UTILISER LE MÉLANGEUR.

1. Lisez toutes les instructions.
2. Cet appareil n'est pas conçu pour être utilisé par des enfants, des personnes dont les capacités physiques, sensorielles ou mentales sont réduites ou des personnes n'ayant pas l'expérience et les connaissances suffisantes, ni pour être utilisé à proximité de ces personnes. Une surveillance étroite est toujours requise lorsqu'un appareil est utilisé par des enfants ou des personnes à capacités réduites, ou à proximité de ces personnes.
3. Pour prévenir les risques de décharge électrique, ne placez pas le socle du mélangeur dans l'eau ou tout autre liquide.
4. Débranchez l'appareil lorsqu'il n'est pas utilisé, avant d'installer ou d'enlever des pièces, et avant de le nettoyer.
5. Évitez tout contact avec les pièces mobiles.
6. N'utilisez pas un appareil dont la fiche ou le cordon est endommagé(e) ni un appareil qui ne fonctionne pas correctement, qui est tombé ou qui a été endommagé de quelque façon que ce soit. Communiquez immédiatement avec le service à la clientèle de Vitamix en composant le 1 800 848-2649 ou le 1 440 235-4840 ou en envoyant un courriel à l'adresse service@vitamix.com si un examen, une réparation, un remplacement ou un réglage électrique ou mécanique est requis(e). Si l'achat a eu lieu dans un pays autre que le Canada ou les É.-U., communiquez avec le détaillant Vitamix de votre région.
7. L'altération ou la modification de toute partie du socle ou du récipient du mélangeur, y compris l'utilisation de toute pièce qui n'est pas une pièce d'origine autorisée par Vitamix, peut provoquer un incendie, une décharge électrique ou des blessures.
8. L'utilisation d'accessoires qui ne sont pas expressément autorisés ou vendus par Vitamix pour être utilisés avec ce mélangeur, y compris les bocaux de mise en conserve, peut provoquer un incendie, une décharge électrique ou des blessures.
9. N'utilisez pas l'appareil à l'extérieur.
10. Ne laissez pas le cordon de l'appareil pendre le long de la table ou du comptoir.
11. Ne laissez pas le cordon de l'appareil entrer en contact avec une surface chaude, notamment la cuisinière.
12. Gardez les mains et les ustensiles à l'extérieur du récipient pendant le fonctionnement afin de réduire le risque de blessures corporelles graves ou de dommages au mélangeur. Vous pouvez utiliser un grattoir ou une spatule en caoutchouc, mais uniquement lorsque le mélangeur Vitamix ne fonctionne pas.

Consignes de Sécurité Importantes continue à la page 30

CONSIGNES DE SÉCURITÉ IMPORTANTES

13. Le pilon fourni ne doit être utilisé que lorsque la pièce principale du couvercle est bien installée.
14. Les couteaux sont tranchants. Soyez extrêmement vigilant en manipulant le couteau et le bloc de coupe ou en les retirant du récipient pour éviter les blessures. Afin de réduire les risques de blessure, ne placez le bloc de coupe sur le socle-moteur que lorsque le socle est fixé au récipient Vitamix.
15. Ne laissez pas d'objets étrangers, comme des cuillères, des fourchettes, des couteaux et le bouchon du couvercle, dans le récipient, car cela peut endommager les couteaux et d'autres composants lors du démarrage de l'appareil et causer des blessures.
16. N'essayez jamais d'utiliser l'appareil lorsque les couteaux sont endommagés.
17. Ne laissez pas d'objets étrangers, comme des cuillères, des fourchettes, des couteaux et le bouchon du couvercle, dans le récipient, car cela peut endommager les couteaux et d'autres composants lors du démarrage de l'appareil et causer des blessures.
18. N'essayez jamais d'utiliser l'appareil lorsque les couteaux sont endommagés.
19. Faites toujours fonctionner le mélangeur avec le couvercle et le bouchon du couvercle fermement en place. Ne retirez le bouchon du couvercle que pour ajouter des ingrédients et pour utiliser le pilon.
20. Lorsque vous mélangez des liquides ou des ingrédients chauds, soyez prudent, car des gouttelettes ou de la vapeur pourrai(en)t vous ébouillanter et causer des brûlures. Ne remplissez pas le récipient à sa capacité maximale. Commencez toujours à mélanger à la vitesse la plus basse, à la vitesse variable 1. Gardez les mains et la peau exposée loin de l'ouverture du couvercle pour éviter les brûlures possibles.
21. Lors de la préparation de beurres de noix ou de produits alimentaires à base d'huile, ne faites pas fonctionner l'appareil plus d'une minute après que le mélange a commencé à circuler dans le récipient. Le fait de faire fonctionner l'appareil pendant de plus longues périodes peut causer une surchauffe dangereuse.

CONSERVEZ CES INSTRUCTIONS

⚠ AVERTISSEMENT		
	Pour éviter les blessures Assurez-vous d'avoir lu et compris le manuel d'instructions de l'appareil avant son utilisation.	

Consignes de Sécurité Importantes continue à la page 31

CONSIGNES DE SÉCURITÉ IMPORTANTES

INSTRUCTIONS IMPORTANTES POUR UNE UTILISATION SÉCURITAIRE

Cet appareil est conçu pour un USAGE DOMESTIQUE SEULEMENT et n'est pas destiné à un usage commercial.

Ne laissez pas votre mélangeur Vitamix sans surveillance lorsqu'il est en marche.

L'entretien, les réparations et le remplacement des pièces doivent être effectués par Vitamix ou un technicien autorisé.

⚠ AVERTISSEMENT



Risque de décharge électrique

Utilisez seulement une prise mise à la terre.

N'ENLEVEZ PAS la broche de mise à la terre.

N'UTILISEZ PAS d'adaptateur.

N'UTILISEZ PAS de rallonge.

Débranchez toujours l'appareil avant de nettoyer le socle-moteur ou lorsqu'il n'est pas utilisé.

Ne placez pas le socle-moteur dans l'eau ou dans un autre liquide.

Le non-respect de ces instructions peut entraîner la mort ou causer une décharge électrique.



AVIS : LE NON-RESPECT DE TOUTE CONSIGNE DE SÉCURITÉ IMPORTANTE OU DE TOUTE INSTRUCTION IMPORTANTE VISANT UNE UTILISATION SÉCURITAIRE CONSTITUE UNE UTILISATION INAPPROPRIÉE DE VOTRE MÉLANGEUR VITAMIX SUSCEPTIBLE D'ANNULER VOTRE GARANTIE ET DE CAUSER DE GRAVES BLESSURES.

PIÈCES ET CARACTÉRISTIQUES



- ❶ **Interrupteur On/Off (Marche/Arrêt) :** l'interrupteur On/Off (Marche/Arrêt ou d'alimentation) se trouve sur le côté droit du socle-moteur de l'appareil. L'interrupteur On/Off (Marche/Arrêt) contrôle l'alimentation de l'appareil. Lorsque les symboles Impulsion et Marche/Arrêt s'allument, l'interrupteur On/Off (Marche/Arrêt) est à la position On (Marche) et l'alimentation circule.

- ❷ **Tableau de commande :** pour plus de renseignements, reportez-vous à la section « Tableau de commande » à la page 34.

⚠ **ATTENTION :** les couvercles et les pilons ne sont pas interchangeables entre récipients de différents styles, types et formats. Pour plus de renseignements, reportez-vous à la section « Pilon » à la page 37.

- ❸ **Petit récipient de 64 oz (2 L) avec couvercle en deux parties :**
- Utilisez toujours le couvercle et le bouchon du couvercle lorsque l'appareil est en marche.
 - Ne faites jamais fonctionner le mélangeur sans vous assurer que le couvercle est bien verrouillé en place.
 - Les onces, les millilitres et les tasses sont clairement indiqués.
 - Insérez le bouchon dans le couvercle et verrouillez-le en tournant dans le sens horaire.
 - Retirez le bouchon du couvercle pour utiliser le pilon ou ajouter des ingrédients.
- ❹ **Pilon :** l'utilisation du pilon assure la circulation en empêchant la formation de bulles d'air pendant le mélange.

Pièces et Caractéristiques continue à la page 33

PIÈCES ET CARACTÉRISTIQUES

⚠ AVERTISSEMENT



Les couteaux rotatifs peuvent causer de graves blessures.

NE METTEZ JAMAIS la main dans le récipient quand l'appareil est en marche.



Pour verrouiller le couvercle en place : placez le couvercle sur le récipient en vous assurant que les rabats du couvercle sont à mi-chemin entre le bec et la poignée. Poussez le couvercle sur le récipient jusqu'à ce qu'il soit verrouillé en place. Le couvercle doit toujours être bien fixé lorsque l'appareil fonctionne, en particulier quand des liquides chauds pouvant provoquer des brûlures s'y trouvent. **Ne faites jamais fonctionner le mélangeur sans vous assurer que le couvercle est bien verrouillé en place.**

Pour retirer le couvercle : soulevez un rabat du couvercle tout en tenant le récipient fermement.

Pour retirer le bouchon du couvercle : tournez le bouchon du couvercle dans le sens antihoraire, de la position « verrouillée » à la position « déverrouillée », et soulevez-le.

Cordon d'alimentation : votre appareil est muni d'un long cordon d'alimentation. Rangez soigneusement la partie inutilisée sous l'appareil. Des dispositifs de retenue de cordon en plastique retiennent le cordon. Ils sont flexibles et reviennent à leur position après que le cordon en a été tiré.

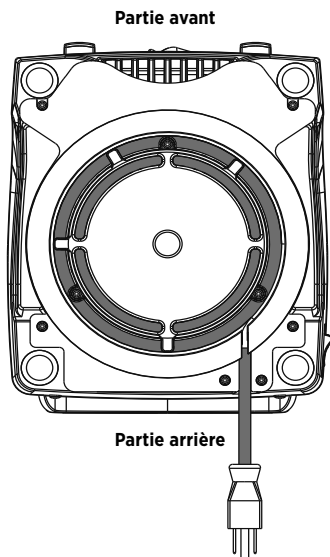
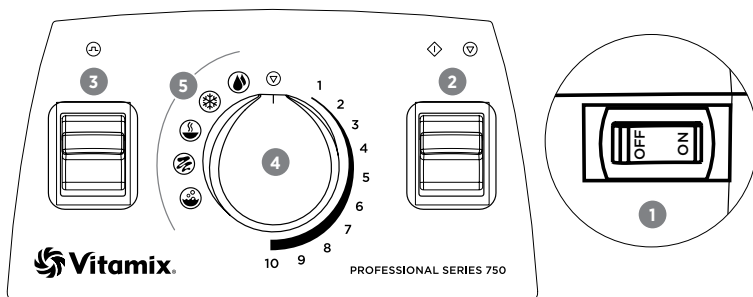


TABLEAU DE COMMANDE



1. Interrupteur On/Off (Marche/Arrêt) :

L'interrupteur On/Off (Marche/Arrêt ou d'alimentation) se trouve sur le côté inférieur droit du socle-moteur de l'appareil. L'interrupteur On/Off (Marche/Arrêt) contrôle l'alimentation de l'appareil.

AVANT de mettre l'interrupteur On/Off (Marche/Arrêt) sur la position On (Marche) (I), assurez-vous que l'indicateur du sélecteur de vitesse variable pointe sur le symbole Arrêt (⊖) dans la partie supérieure du sélecteur.

Après avoir branché l'appareil, placez l'interrupteur On/Off (Marche/Arrêt) sur la position On (Marche) afin de préparer l'appareil pour le mélange. La nuit et chaque fois que l'appareil sera laissé sans surveillance, mettez l'interrupteur On/Off (Marche/Arrêt) sur la position Off (Arrêt).

Si l'interrupteur On/Off (Marche/Arrêt) est mis à la position Off (Arrêt) pour arrêter un programme en milieu de cycle, attendez 30 secondes que le courant soit rétabli et que la minuterie soit réinitialisée avant de mettre l'interrupteur On/Off (Marche/Arrêt) sur la position On (Marche).

Lorsque les symboles Impulsion et Marche/Arrêt s'allument, l'interrupteur On/Off (Marche/Arrêt) est à la position On (Marche) et l'alimentation circule.

2. Interrupteur Start (⬠) / Stop (⊖) (Marche/Arrêt) :

Après que l'indicateur du sélecteur de vitesse variable a été tourné depuis le symbole Stop (Arrêt) (⊖) soit à la vitesse variable 1 ou à un réglage de programme, appuyez sur l'interrupteur Start/Stop (Marche/Arrêt) pour démarrer l'appareil et lancer le processus de mélange. Appuyer sur l'interrupteur Start/Stop (Marche/Arrêt) de nouveau arrêtera le processus de mélange.

Les programmes peuvent être interrompus en appuyant sur l'interrupteur Start/Stop (Marche/Arrêt) à tout moment. S'il est réactivé en appuyant vers le bas sur l'interrupteur Start/Stop (Marche/Arrêt), le programme démarrera au début.

3. Interrupteur à impulsion (⊖) :

Vitesse variable : lorsque l'interrupteur à impulsion est poussé vers le bas, l'appareil mélange à la vitesse indiquée sur le sélecteur de vitesse variable aussi longtemps que l'interrupteur à impulsion est maintenu vers le bas.

Tableau de Commande continue à la page 35

TABLEAU DE COMMANDE

Programmes : la fonction d'impulsion peut être utilisée quand un programme est sélectionné. Lorsque l'interrupteur à impulsion est poussé vers le bas et qu'un programme est sélectionné, l'appareil fonctionne à 50 % de la puissance maximale aussi longtemps que l'interrupteur à impulsion est maintenu vers le bas.

⚠ ATTENTION



Afin d'éviter d'éventuelles brûlures lorsque des liquides chauds sont mélangés, ne mettez jamais l'appareil en marche à une vitesse supérieure à 1.

La vapeur, les éclaboussures et le contenu s'échappant du récipient peuvent causer des brûlures.

Pour empêcher le contenu de sortir du récipient, verrouillez bien le couvercle et le bouchon du couvercle en place avant de faire fonctionner l'appareil.

Mettez toujours l'appareil en marche à la position Variable 1, puis augmentez lentement la vitesse jusqu'à la position 10.



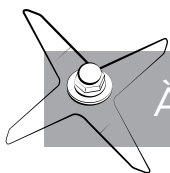
4. Sélecteur de vitesse variable :

Le sélecteur de vitesse variable sert à deux fonctions : à utiliser les cinq programmes ou à utiliser les dix réglages de vitesse variable.

- Pour utiliser les programmes : tournez le sélecteur de vitesse variable vers la gauche au programme désiré.
- Pour utiliser la vitesse variable :
 - a. Tournez le sélecteur de vitesse variable vers la droite sur 1.
 - b. Pour démarrer le mélange, appuyez vers le bas sur l'interrupteur Start/Stop (Marche/Arrêt).
 - c. Tournez le sélecteur de vitesse variable vers la droite ou vers la gauche pendant le mélange pour augmenter ou réduire la vitesse des couteaux.
 - d. À la fin du cycle de mélange, tournez l'indicateur du sélecteur de vitesse variable sur le symbole Stop (Arrêt) (⏹) dans la partie supérieure du sélecteur.

5. Programmes :

Votre Professional Series 750 est équipé de cinq réglages de programme pour les recettes les plus couramment utilisées. Tourner le sélecteur de vitesse variable à gauche du centre vous permet de sélectionner un programme pour les boissons fouettées, desserts surgelés, soupes, purées et un cycle de nettoyage.



À PROPOS DES COUTEAUX

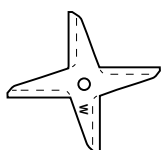
L'appareil Vitamix de base est vendu avec le récipient pour couteau humide. Le couteau est identifié par un « W » (première lettre du mot anglais « wet » qui signifie « humide »). Ce couteau est utilisé pour la plupart de vos recettes. Des récipients supplémentaires avec un couteau à lames humides ou sèches peuvent être achetés séparément.

⚠ AVERTISSEMENT

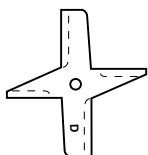


Les couteaux rotatifs peuvent causer de graves blessures.

NE METTEZ JAMAIS la main dans le récipient quand l'appareil est en marche.



Récipient pour couteau humide: conçu pour mélanger des liquides, y compris les jus, les préparations congelées, les sauces, les soupes, les purées et les pâtes à frire, de même que pour hacher les ingrédients humides. Les couteaux humides peuvent également mouliner le grain et pétrir la pâte, mais ils ne sont pas aussi efficaces que les couteaux secs pour cette application. Consultez les instructions pour l'utilisation du récipient sec.



Récipient pour couteau sec: ces couteaux sont clairement marqués d'un « D » (première lettre du mot anglais « dry » qui signifie « sec ») et ils sont spécialement conçus pour mouliner les ingrédients secs tels que les grains, les céréales et le café. Ils servent également à pétrir la pâte à pain. Les couteaux secs NE peuvent PAS mélanger efficacement les liquides. **Si vous broyez des herbes régulièrement, vous pourriez songer à acheter un récipient pour couteau sec séparément.**

⚠ ATTENTION



Les pièces mobiles peuvent devenir chaudes après une utilisation prolongée.

NE TOUCHEZ PAS ces pièces.



PILON

⚠ ATTENTION



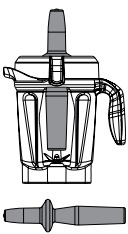

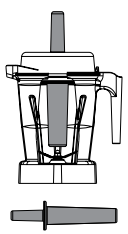
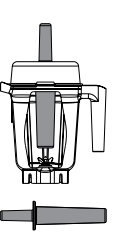

Les couteaux rotatifs peuvent causer des dommages.

Les couvercles et les pilons ne sont pas interchangeables entre récipients de différents styles, types et formats. Utilisez le pilon qui a été fourni avec votre appareil.

Comment déterminer quel pilon peut être utilisé avec votre récipient

Avant d'utiliser un pilon pendant le processus de mélange, assurez-vous qu'il s'agit bel et bien du pilon approprié. **Si le pilon a été fourni avec votre appareil et votre récipient, il s'agit du pilon approprié pour ce récipient.** Si le pilon n'a pas été fourni avec votre récipient, ou si vous voulez savoir si un pilon que vous avez déjà peut être utilisé avec votre nouveau récipient, veuillez comparer votre récipient avec les récipients de l'illustration ci-dessous afin de trouver le pilon correspondant.

1. Placez le couvercle sur un récipient vide.
2. Enlevez le bouchon du couvercle et insérez le pilon. Le pilon doit s'insérer facilement dans l'ouverture. Il ne doit pas toucher aux couteaux, peu importe la façon dont vous le déplacez à l'intérieur du récipient.
3. Inspectez visuellement : **SI LE PILON TOUCHE LES COUTEAUX LORSQU'IL EST DANS UN CERTAIN ANGLE, N'UTILISEZ PAS CE PILON AVEC VOTRE RÉCIENT.**
4. Si vous n'avez pas le bon pilon pour votre récipient, contactez le service à la clientèle résidentielle Vitamix au 1 800 848-2649 ou au 1 440 235-4840 pour commander un nouveau pilon.

				
64 oz / 2 L (PETIT)	64 oz / 2 L (GRAND)	48 oz / 1,4 L	32 oz / 0,9 L	
Le petit récipient de 64 oz (2 L) utilise un pilon mesurant environ 11 po (28 cm) de long.	Le grand récipient de 64 oz (2 L) utilise un pilon mesurant environ 12-½ po (31,8 cm) de long.	Les récipients de 48 oz (1,4 L) et 32 oz (0,9 L) utilisent un pilon mesurant environ 9-¾ po (24,8 cm) de long.		Aucun pilon sans cran de sécurité ne doit être utilisé, quel que soit le récipient.

COMMENT UTILISER LE PILON

⚠ AVERTISSEMENT



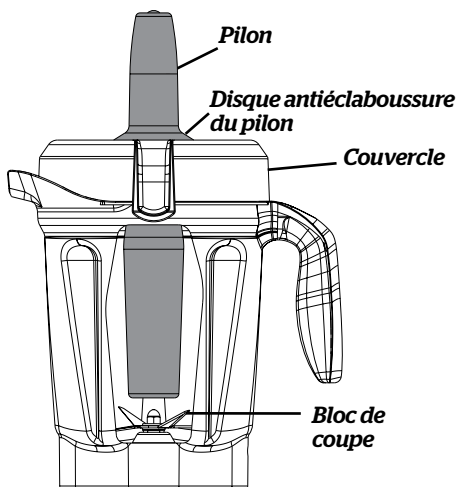
Les couteaux rotatifs peuvent causer de graves blessures.

- **GARDEZ TOUJOURS** les mains, les spatules, etc. hors du récipient pendant que l'appareil est en marche ou lorsque le récipient est encore sur le socle.
- Les couvercles et les pilons ne sont pas interchangeables entre récipients de différents styles, types et formats. Utilisez le pilon qui a été fourni avec votre appareil.



IMPORTANT!

- Lorsque le couvercle est correctement fixé en position verrouillée, le disque antiéclaboussure (près du haut du pilon) et le couvercle empêchent le pilon de frapper les couteaux.
- Le récipient ne doit pas être rempli plus qu'aux deux tiers lorsque le pilon est utilisé pendant le mélange.
- Pour éviter de faire surchauffer l'appareil pendant le mélange, N'UTILISEZ PAS le pilon pendant plus de 30 secondes consécutives.



- Si les aliments ne circulent pas, il se peut qu'une bulle d'air soit emprisonnée dans l'appareil. Retirez avec soin le bouchon du couvercle tout en vous assurant que le couvercle reste bien en place. Faites sortir la bulle d'air en insérant le pilon par l'ouverture du bouchon du couvercle.
- Il se peut que le fait de tenir le pilon tout droit vers le bas n'aide pas les ingrédients à circuler. Au besoin, dirigez le pilon vers les côtés ou les coins du récipient. NE tentez PAS de faire entrer le pilon plus profondément dans le récipient.

CONSEILS POUR LE RÉGLAGE DES VITESSES

⚠ ATTENTION



Afin d'éviter d'éventuelles brûlures lorsque des liquides chauds sont mélangés, ne mettez jamais l'appareil en marche à une vitesse supérieure à 1.

La vapeur, les éclaboussures et le contenu s'échappant du récipient peuvent causer des brûlures.

Pour empêcher le contenu de sortir du récipient, verrouillez bien le couvercle et le bouchon du couvercle en place avant de faire fonctionner l'appareil.

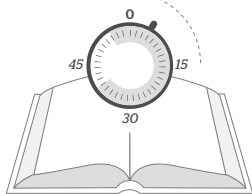
Mettez toujours l'appareil en marche à la position Variable 1, puis augmentez lentement la vitesse jusqu'à la position 10.



Vitesse variable

Avant d'utiliser l'option Vitesse variable, commencez toujours avec l'indicateur du sélecteur de vitesse variable pointant sur le symbole Stop (Arrêt) (⏹) dans la partie supérieure du sélecteur.

- Tournez le sélecteur vers la droite à la vitesse variable 1.
- Pour démarrer le mélange, appuyez vers le bas sur l'interrupteur Start/Stop (Marche/Arrêt).
- Tournez lentement le sélecteur de vitesse variable à la vitesse désirée en fonction de la recette utilisée.
- À la fin du cycle de mélange, tournez le sélecteur de vitesse variable sur le symbole Stop (Arrêt) (⏹) dans la partie supérieure du sélecteur.



Utilisez le réglage le plus élevé indiqué dans la recette pour autant de temps de traitement que possible pour préparer les jus, soupes, laits frappés, mélanges surgelés, purées, beurres de noix à partir d'aliments entiers et pour mouliner les grains. Les temps de mélange seront généralement de moins d'une minute (la plupart seront de moins de 30 secondes). Une vitesse plus élevée offre la meilleure qualité de raffinement.

Mélanger trop longtemps à un réglage de vitesse trop bas peut surchauffer l'appareil et provoquer l'arrêt de l'appareil par la protection automatique contre les surcharges. Mélanger à une vitesse plus haute permet également de maximiser le ventilateur de refroidissement du moteur pour éviter la surchauffe.

Si le mélange cesse de circuler, il se peut qu'une bulle d'air soit emprisonnée dans l'appareil. Pour résoudre ce problème, insérez le pilon dans le bouchon du couvercle et remuez jusqu'à ce que la bulle soit libérée. Si cela ne fonctionne pas, appuyez sur l'interrupteur On/Off (Marche/Arrêt) pour arrêter le moteur. Retirez le récipient du socle-moteur et utilisez une spatule en caoutchouc pour dégager la bulle d'air des couteaux. Remettez le récipient sur le socle-moteur, replacez le couvercle et continuez à mélanger.

Programmes

Les programmes varient en vitesse et en durée de mélange et s'arrêtent automatiquement à la fin du programme.

MODE D'EMPLOI

Lors des premières utilisations de votre mélangeur, il est possible qu'une légère odeur de brûlé se dégage comme le moteur tourne pour la première fois. Cette odeur est tout à fait normale et se dissipera rapidement.

Avant de commencer, observez le panneau de commande. Commencez toujours avec le sélecteur de vitesse variable pointant sur le symbole Stop (Arrêt) (⏹) dans la partie supérieure du sélecteur.

1. Avant de procéder au mélange, observez le panneau de commande et assurez-vous que le sélecteur de vitesse variable pointe sur le symbole Stop (Arrêt) (⏹).

2. Placez les ingrédients dans le récipient en suivant la recette.

3. Fixez solidement les deux pièces du couvercle. Mettez toujours en place les deux pièces du couvercle lorsque vous utilisez l'appareil (sauf si le pilon est inséré dans l'ouverture du bouchon du couvercle). Assurez-vous que le couvercle est bien verrouillé, surtout lorsque vous mélangez des ingrédients chauds.

4. Après avoir arrêté le moteur, placez le récipient sur le socle-moteur en

l'alignant sur la pièce de centrage. Ne tentez jamais de mettre le récipient sur le socle-moteur lorsque ce dernier est en marche ni de mettre en marche le socle-moteur lorsque le récipient n'est pas correctement en place.

5. Utilisez le sélecteur de vitesse variable pour sélectionner une fonction.

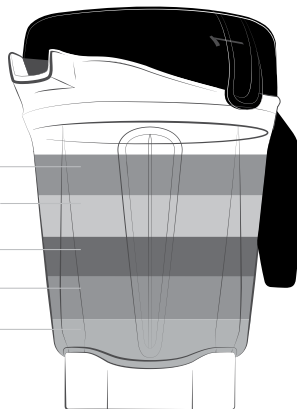
- Vitesse variable : faites tourner le sélecteur vers la droite de manière à ce qu'il atteigne la vitesse Variable 1.
- Programmes : tournez le sélecteur à gauche du centre au programme désiré.

6. Mettez les couteaux en marche en appuyant sur l'interrupteur Start/Stop (Marche/Arrêt). Votre récipient peut se déplacer en se centrant correctement.

- Vitesse variable : faites lentement tourner le sélecteur de vitesse variable vers la droite jusqu'à ce qu'il atteigne la vitesse désirée.
- Programmes : les programmes varient en vitesse et en durée de mélange et s'arrêtent automatiquement à la fin du programme. Les programmes peuvent être interrompus en appuyant sur l'interrupteur Start/Stop (Marche/Arrêt) à tout moment. S'il est réactivé en appuyant vers le bas sur l'interrupteur Start/Stop (Marche/Arrêt), le programme démarrera au début.

7. Si le mélange cesse de circuler, il se peut qu'une bulle d'air soit emprisonnée dans l'appareil. Pour résoudre ce problème, insérez le pilon dans le bouchon du couvercle et remuez jusqu'à ce que la bulle soit libérée. Si cela ne fonctionne pas, appuyez sur l'interrupteur On/Off (Marche/Arrêt) pour arrêter le moteur. Retirez le récipient du socle-moteur et utilisez une spatule en caoutchouc pour dégager la bulle d'air des couteaux. Remettez le récipient sur le socle-moteur, replacez le couvercle et continuez à mélanger.

**Glace et
ingrédients
glacés**
Fruits et légumes
Légumes-feuilles
Ingrédients secs
Liquides



Mode d'Emploi continue à la page 41

MODE D'EMPLOI

- 8. Prenez les précautions nécessaires lorsque vous manipulez et mélangez des ingrédients chauds et quand vous préparez des soupes et des sauces chaudes.**
9. En raison de la vitesse de l'appareil, les temps de mélange sont beaucoup plus courts que ceux des appareils courants. Jusqu'à ce que vous soyez habitué à l'appareil, comptez le temps de mélange avec soin pour éviter de trop mélanger les aliments.
10. Après avoir appuyé sur l'interrupteur Start/Stop (Marche/Arrêt) pour arrêter le cycle, attendez que les couteaux s'arrêtent complètement avant de retirer le couvercle ou le récipient du socle-moteur.

REMARQUES IMPORTANTES CONCERNANT L'UTILISATION DU RÉCIPENT SEC:

⚠ ATTENTION



Afin d'éviter d'éventuelles brûlures lorsque des liquides chauds sont mélangés, ne mettez jamais l'appareil en marche à une vitesse supérieure à 1.

La vapeur, les éclaboussures et le contenu s'échappant du récipient peuvent causer des brûlures.

Pour empêcher le contenu de sortir du récipient, verrouillez bien le couvercle et le bouchon du couvercle en place avant de faire fonctionner l'appareil.

Mettez toujours l'appareil en marche à la position Variable 1, puis augmentez lentement la vitesse jusqu'à la position 10.



- Le fait de moulin des ingrédients secs pendant plus de deux minutes peut endommager votre appareil.
- Une utilisation régulière peut laisser des marques superficielles sur le récipient et émousser la lame avec le temps.
- Le fait de broyer certaines herbes peut libérer des huiles, ce qui causera une décoloration permanente du récipient.
- Certaines herbes ont des odeurs fortes qui peuvent persister dans le récipient, affectant la saveur des autres aliments.
- Le fait de moulin certaines herbes et épices peut aussi émousser le couteau avec le temps ou fissurer le récipient.

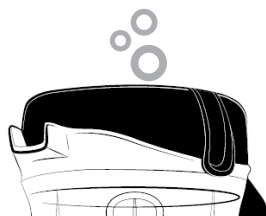
ENTRETIEN ET NETTOYAGE

Suivez les étapes décrites à la section « Nettoyage normal » ci-dessous pour préparer votre nouvel appareil à sa première utilisation. Ces étapes permettront de nettoyer l'appareil et de roder le moteur.

Lors des premières utilisations de votre mélangeur, il est possible qu'une légère odeur de brûlé se dégage comme le moteur tourne pour la première fois. Cette odeur est tout à fait normale et se dissipera rapidement.

Nettoyage normal

Avant d'utiliser l'option Vitesse variable ou Programme, commencez toujours par le sélecteur de vitesse variable pointant sur le symbole Arrêt (⊕) dans la partie supérieure du sélecteur.



1. Remplissez le récipient d'eau chaude jusqu'à la moitié et ajoutez quelques gouttes de savon à vaisselle liquide dans le récipient.
2. Enclenchez ou enfoncez le couvercle en deux parties au complet dans la position verrouillée.
3. Effectuez l'une des procédures suivantes :
 - Vitesse variable :
 - a. Tournez le sélecteur de vitesse variable sur 1.
 - b. Appuyez sur l'interrupteur Start/Stop (Marche/Arrêt).
 - c. Augmentez lentement la vitesse variable à 10.
 - d. Faites fonctionner l'appareil pendant 30 à 60 secondes.
 - e. Tournez le sélecteur de vitesse variable sur le symbole Stop (Arrêt) (⊕) dans la partie supérieure du sélecteur.
 - Programme :
 - a. Tournez le sélecteur de vitesse variable sur l'icône du programme de nettoyage (☺). Le programme de nettoyage (☺) dure environ 1 minute.
 - b. Après l'arrêt du programme, tournez le sélecteur de vitesse variable au symbole Stop (Arrêt) (⊕) dans la partie supérieure du sélecteur.
4. Rincez et égouttez le récipient.

Pour désinfecter

Avant d'utiliser l'option Vitesse variable ou Programme, commencez toujours par le sélecteur de vitesse variable pointant sur le symbole Arrêt (⊕) dans la partie supérieure du sélecteur.

1. Suivez les instructions de nettoyage ci-dessus.
2. Remplissez le récipient à moitié d'eau et ajoutez 1 ½ cuillerée à thé d'eau de Javel.
3. Enclenchez ou enfoncez le couvercle en deux parties au complet dans la position verrouillée.

Entretien et Nettoyage continue à la page 43

ENTRETIEN ET NETTOYAGE

4. Effectuez l'une des procédures suivantes :
 - Vitesse variable :
 - a. Tournez le sélecteur de vitesse variable sur 1.
 - b. Appuyez sur l'interrupteur Start/Stop (Marche/Arrêt).
 - c. Augmentez lentement la vitesse variable à 10.
 - d. Faites fonctionner l'appareil pendant 30 à 60 secondes.
 - e. Tournez le sélecteur de vitesse variable sur le symbole Stop (Arrêt) (⏹) dans la partie supérieure du sélecteur.
 - Programme :
 - a. Tournez le sélecteur de vitesse variable sur l'icône du programme de nettoyage (🧼). Le programme de nettoyage (🧼) dure environ 1 minute.
 - b. Après l'arrêt du programme, tournez le sélecteur de vitesse variable au symbole Stop (Arrêt) (⏹) dans la partie supérieure du sélecteur.
5. Laissez reposer le mélange dans le récipient pendant 1 ½ minute supplémentaire.
6. Videz le récipient du mélange contenant de l'eau de Javel. Laissez le récipient sécher à l'air.
7. Ne rincez pas le récipient après la désinfection.

Couvercle, bouchon du couvercle et pilon

Séparez le couvercle et le bouchon du couvercle. Lavez les pièces dans de l'eau tiède savonneuse. Rincez à l'eau courante et séchez. Réinsérez le bouchon du couvercle dans le couvercle avant de les utiliser.

IMPORTANT : pour assurer une performance continue et efficace, ne mettez pas le récipient, le couvercle, le bouchon du couvercle ou le pilon dans le lave-vaisselle.

Socle-moteur

1. Débranchez le cordon d'alimentation.

⚠ AVERTISSEMENT



Risque de décharge électrique

Coupez l'alimentation avant de nettoyer l'appareil.

Le non-respect de ces instructions peut entraîner la mort ou causer une décharge électrique.



2. Lavez la surface extérieure avec une éponge ou un chiffon doux et humide qui a été rincé dans une solution de détergent liquide doux et d'eau chaude. Ne placez pas le socle-moteur dans l'eau.
3. La pièce de centrage peut être retirée pour un nettoyage plus complet.
4. Nettoyez soigneusement les interrupteurs afin qu'ils bougent sans obstruction. Ils peuvent devenir collants à force d'être utilisés. Imbibez un coton-tige avec un produit dégraissant ou un nettoyeur domestique et nettoyez les rainures autour des interrupteurs. Séchez immédiatement toutes les surfaces.
5. Polissez le socle-moteur à l'aide d'un chiffon doux.

DÉPANNAGE

Protection automatique contre les surcharges

Le moteur de votre mélangeur Vitamix est doté d'une protection contre les surchauffes lorsqu'il est utilisé. Cette fonction éteindra le moteur. Il est possible qu'une légère odeur se dégage du moteur. Si le moteur s'arrête parce qu'il a surchauffé au cours d'un mélange, laissez l'appareil refroidir de 20 à 45 minutes avant de commencer un autre cycle de mélange. Si des problèmes persistent après que vous avez suivi ces instructions, communiquez avec notre service à la clientèle au numéro 1 800 848-2649 ou 1 440 235-4840 pour connaître la marche à suivre.

Conseils pour prévenir la « surcharge » de votre appareil Vitamix :

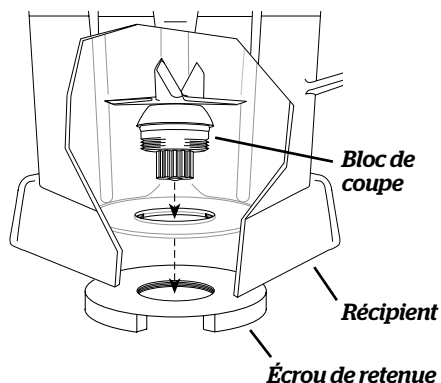
- Pour apprendre à utiliser l'appareil, ne préparez que des recettes Vitamix.
- Ne réduisez pas les vitesses de préparation recommandées pour les recettes.
- Ne dépassez pas les vitesses de préparation recommandées pour les recettes.
- Ne dépassez pas les temps de mélange recommandés pour les recettes.
- Utilisez votre pilon pour préparer des mélanges plus épais et garder les ingrédients en mouvement autour des couteaux et dans ceux-ci.

Écrou de retenue desserré

Si l'écrou de retenue se trouvant au fond du récipient se desserre et ne maintient plus en place le bloc de coupe de manière sécuritaire, **CESSEZ D'UTILISER LE RÉCIPIENT**. Appelez immédiatement le service à la clientèle Vitamix au 1 800 848-2649 ou au 1 440 235-4840, ou le concessionnaire de votre région pour obtenir des instructions.

Écrou de retenue desserré

Si l'écrou de retenue se trouvant au fond du récipient se desserre et ne maintient plus en place le bloc de coupe de manière sécuritaire, **CESSEZ D'UTILISER LE RÉCIPIENT**. Communiquez immédiatement avec le service à la clientèle de Vitamix pour connaître la marche à suivre.



GARANTIE

Garantie complète de l'appareil pendant sept (7) ans

1. ENREGISTREMENT DU PRODUIT.

Vita-Mix^{MD} Corporation (« Vitamix ») vous recommande vivement d'enregistrer votre achat en remplissant et en retournant la carte d'enregistrement du produit fournie avec cet appareil. Vous pouvez enregistrer votre produit en ligne sur vitamix.com/warranty ou en appelant notre service à la clientèle au 1 800 848-2649 ou au 1 440 235-4840. Le fait de ne pas enregistrer votre appareil ne diminuera en rien vos droits de garantie. Toutefois, l'enregistrement de votre achat permettra à Vitamix de mieux vous servir, peu importe vos besoins.

2. PERSONNES POUVANT BÉNÉFICIER DE CETTE GARANTIE.

Cette garantie est offerte par Vitamix au propriétaire de cet appareil pour un usage domestique personnel seulement. Cette garantie ne s'applique pas aux appareils utilisés à des fins commerciales, de location ou de revente. Si l'appareil change de propriétaire pendant la période de 7 ans, veuillez mettre à jour les renseignements sur le propriétaire de l'appareil à l'adresse www.vitamix.com/warranty.

3. CE QUI EST COUVERT.

Vitamix garantit au propriétaire que si cet appareil (un « appareil » consiste en le socle-moteur du mélangeur et les récipients achetés ensemble) ne fonctionne plus dans les 7 ans suivant la date d'achat en raison d'un défaut de matériau ou de fabrication ou à la suite d'une usure normale pour un usage domestique, Vitamix procédera, dans les 30 jours suivant la réception du produit retourné, à la réparation de l'appareil ou du composant défaillant sans frais.

Si, à la seule discrétion de Vitamix, l'appareil ou le composant défaillant ne peut pas être réparé, Vitamix décidera soit (A) de remplacer l'appareil sans frais ou (B) de rembourser le prix d'achat total au propriétaire, à moins que Vitamix reçoive un préavis écrit indiquant la préférence du propriétaire.

4. CE QUI N'EST PAS COUVERT.

Cette garantie ne s'applique pas aux appareils qui ont été utilisés pour des applications commerciales ou autres que domestiques. Cette garantie ne couvre pas les changements superficiels qui n'affectent pas la performance de l'appareil comme la décoloration, les effets de l'utilisation d'abrasifs ou de nettoyants ou les accumulations d'aliments. Cette garantie n'est valable que si l'appareil est utilisé et entretenu conformément aux instructions, aux avertissements et aux consignes de sécurité contenus dans le manuel d'utilisation.

Vitamix ne pourra pas être tenue responsable du coût de réparations sous garantie non autorisées.

GARANTIE

LA RÉPARATION, LE REMPLACEMENT OU LE REMBOURSEMENT DU PRIX D'ACHAT DE L'APPAREIL SONT LES RECOURS EXCLUSIFS DE L'ACHETEUR ET LA SEULE RESPONSABILITÉ DE VITAMIX EN VERTU DE CETTE GARANTIE. AUCUN EMPLOYÉ OU REPRÉSENTANT DE VITAMIX N'EST AUTORISÉ À ACCORDER UNE GARANTIE SUPPLÉMENTAIRE OU À APPORTER UNE MODIFICATION À CETTE GARANTIE POUVANT LIER VITAMIX. PAR CONSÉQUENT, L'ACHETEUR NE DOIT PAS SE FIER À TOUTE AUTRE DÉCLARATION FAITE PAR UN EMPLOYÉ OU UN REPRÉSENTANT DE VITAMIX. EN AUCUN CAS, QUE CE SOIT EN RAISON D'UN CONTRAT, D'UNE INDEMNISATION, D'UNE GARANTIE, D'UN ACTE DÉLICTEUX (Y COMPRIS LA NÉGLIGENCE), D'UNE RESPONSABILITÉ STRICTE OU AUTRE, VITAMIX NE POURRA ÊTRE TENUE RESPONSABLE DE DOMMAGES SPÉCIAUX, INDIRECTS, ACCESSOIRES OU CONSÉCUTIFS, Y COMPRIS, MAIS SANS S'Y LIMITER, LES PERTES DE PROFITS OU DE REVENUS.

Certaines provinces et certains territoires ne permettent pas de limites sur les garanties. Si vous habitez dans ces provinces et territoires, les limites ci-dessus peuvent ne pas s'appliquer à vous. Dans les pays autres que le Canada et les États-Unis, d'autres garanties peuvent s'appliquer.

5. CE QUI ANNULE CETTE GARANTIE.

L'utilisation abusive, inappropriée ou négligente de l'appareil, l'altération de l'appareil, l'exposition de l'appareil à des conditions anormales ou extrêmes et le non-respect des consignes d'utilisation annulent cette garantie.

La garantie est aussi annulée si l'appareil ou un composant de l'appareil est réparé par une personne autre qu'un réparateur de Vitamix ou autorisé par Vitamix ou si un composant de l'appareil visé par la présente garantie est utilisé en combinaison avec un socle-moteur ou un récipient qui n'est pas expressément autorisé par Vitamix.

6. COMMENT OBTENIR UNE AUTORISATION DE RETOUR EN VERTU DE CETTE GARANTIE.

Si l'appareil ou un composant de l'appareil doit être entretenu ou réparé, veuillez communiquer avec le service à la clientèle de Vitamix en composant le 1 800 848-2649 ou le 1 440 235-4840. Si votre appareil n'a pas été enregistré auprès de Vitamix, vous devrez fournir une date d'achat et une preuve d'achat. Si le produit est couvert par la présente garantie, vous recevrez un numéro d'autorisation de retour, les instructions d'expédition les plus récentes et une étiquette de collecte de retour affranchie. Vitamix paiera les frais d'expédition normaux pour le retour de l'appareil ou d'un composant de l'appareil pour les réparations et l'entretien couverts par la garantie, ainsi que les frais liés à l'expédition de retour du produit à votre adresse après la réparation ou le remplacement couvert(e) par la garantie. L'acheteur est responsable des coûts pour les demandes d'expédition particulières.

Au Canada et aux États-Unis, cette garantie est honorée directement par Vita-Mix^{MD} Corporation.

GARANTIE

États-Unis

Vita-Mix^{MD} Corporation
8615 Usher Road
Cleveland, Ohio 44138-2199
1 800 848-2649
service@vitamix.com.

Canada

Vita-Mix^{MD} Corporation
200-1701 Shepherd Street East
Windsor, Ontario N8Y 4Y5
1 800 848-2649
service@vitamix.com.

Vous serez réputé avoir accepté le produit retourné « tel quel » lors de la livraison, sauf si vous avisez Vitamix de tout problème, y compris de dommages subis pendant le transport, dans les 48 heures suivant la livraison.

INSTRUCTIONS PARTICULIÈRES POUR L'INTERNATIONAL

Si un appareil a été acheté au Canada ou aux États-Unis, mais qu'il se trouve actuellement à l'extérieur du Canada ou des États-Unis, l'expédition ainsi que les taxes et les droits d'importation en découlant sont à la charge du propriétaire.

Veillez composer le +1 440 235-4840 ou envoyer un courriel à l'adresse service@vitamix.com pour obtenir plus de détails.

CARACTÉRISTIQUES TECHNIQUES

Professional Series 750MC

Moteur :

Moteur de puissance maximale de \approx 2,2 hp

Caractéristiques électriques :

120 V, 50/60 Hz, 12 A

Muni d'un cordon à trois broches mis à la terre pour les É.-U.

Dimensions :

Hauteur : 17,4 po / 44,2 cm

Largeur : 7,7 po / 19,6 cm

Profondeur : 9,4 po / 23,9 cm

Le cas échéant :



Pour voir la gamme complète de produits
Vitamix^{MD}, visitez **vitamix.com**.



Vita-Mix^{MD} Corporation
8615 Usher Road
Cleveland, OH 44138-2103, É.-U.
1 800 848-2649 / 1 440 235-4840
vitamix.com

©2015 Vita-Mix^{MD} Corporation. Aucune partie de cette publication ne peut être reproduite ou transmise sous quelque forme ou par quelque moyen que ce soit, ni stockée dans une base de données ou un système d'extraction sans la permission écrite de Vita-Mix^{MD} Corporation.