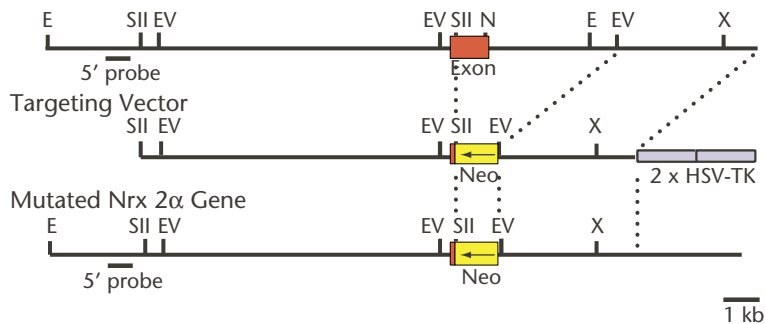
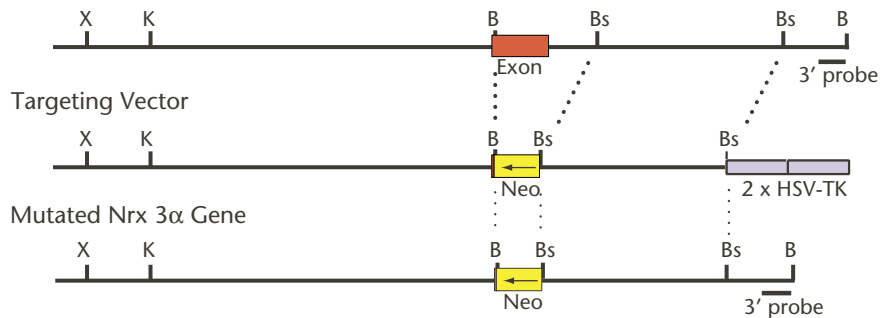


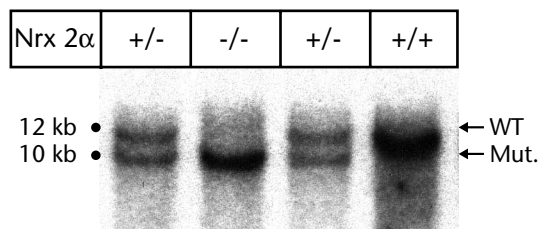
a

Neurexin 2 α Wildtype Allele

b

Neurexin 3 α Wildtype Allele

c



d

