



# **litter·robot**<sup>TM</sup> **open·air**

**Automatic Self-Cleaning Litter Box**

## **Instruction Manual**

**The Self-Cleaning Litter Box**  
*that Really Works!*



Toll Free: 877-250-7729

[www.Litter-Robot.com](http://www.Litter-Robot.com)



## Table of Contents

Important – Read This First .....	3
Introduction.....	4
Unpacking Your Litter-Robot .....	5
Getting Your Cat to Use the Litter-Robot .....	8
Components and Features .....	11
Control Panel - Button Functions .....	11
Power Button.....	11
Cycle Button.....	12
Empty Button.....	13
Reset Button.....	14
Control Panel - Indicator Lights.....	15
Cat Sensor.....	16
Drawer Full Indicator.....	17
Automatic Night Light.....	17
Bonnet .....	18
Internal Shield and Key .....	19
Step Mat .....	19
8 Hour Sleep Mode.....	19
Wait Time Setting .....	20
Control Panel Lockout .....	21
Battery Backup .....	21
Use & Care .....	23
Safety Features.....	28
Money Back Guarantee and Warranty.....	30
Contacting Customer Service .....	31
Frequently Asked Questions.....	32
Troubleshooting.....	37

## **Important – Read This First**

- The Litter-Robot is not recommended for kittens, or small cats that weigh less than 5 lbs.
- Always be sure that each cat in your household is heavy enough to activate the Cat Sensor before you let the Litter-Robot operate in automatic mode.
- Make sure the Litter-Robot is placed on a level firm surface. Placing the Litter-Robot on deep carpet may affect the sensitivity of the unit.
- Do not put anything in the Globe other than clumping cat litter. You can use water and soap to clean the Globe.
- Do not force your cat into the Litter-Robot.
- Do not sit on, or place anything on the Litter-Robot.
- Do not remove the Globe or Bonnet while unit is rotating.
- Do not turn power on if Globe is removed as hair or fingers can get caught or pinched in the turning gear.
- Do not wet or submerge the Base and/or Bonnet.

## Introduction

Thank you for purchasing Litter-Robot *Open Air*<sup>™</sup>, the self-cleaning litter box *that really works!*

At Auto-Pets<sup>™</sup> (Automated Pet Care Products, Inc.) we aim to develop products that keep your pets happy and make your life easier. This manual will help you get the most out of your Litter-Robot *Open Air*<sup>™</sup>. We will guide you through the setup process, as well as provide you with useful tips and advice for getting your cat acclimated to its new, automatic self-cleaning litter box.

Along with its larger capacity and ergonomically shaped litter chamber, there are many new features to explore with the *Open Air* unit, so keep this manual handy and in a safe place for future reference. You can also download it from our web site.

Try the Litter-Robot *Open Air*<sup>™</sup> in your home for 90 days. If you or your cats are not completely satisfied, for any reason, simply return it within 90 days for a full refund. Please note that you are responsible for return shipping costs. If you need assistance during your trial period, or a little extra time, please call us at the 877-250-7729 or e-mail us at [support@litter-robot.com](mailto:support@litter-robot.com).

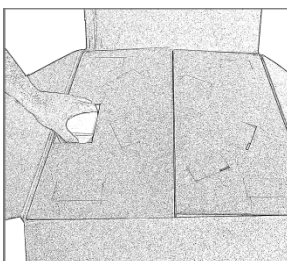
Enjoy your Litter-Robot, and *Enjoy your Freedom!*

Brad Baxter  
President  
Auto-Pets<sup>™</sup>  
(Automated Pet Care Products, Inc.)

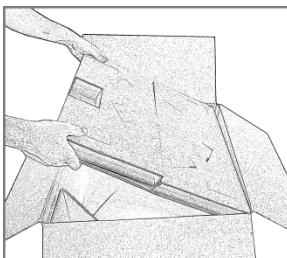
## Unpacking and Setting Up Your Litter-Robot

Your Litter-Robot comes completely assembled and ready to use.

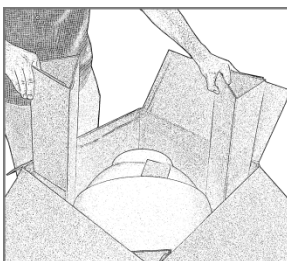
Make sure box is right side up. Find and set aside the power supply found in the pocket of the top cardboard insert.



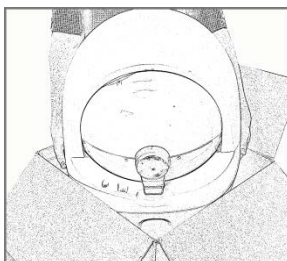
Remove and set aside the top cardboard insert.



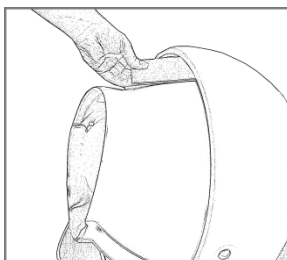
Remove and set aside the cardboard corner braces.



Reach down along the sides of the unit and find the hand holds on the base unit and lift the whole unit out of the box. The unit weighs 24 lbs. Try to avoid cutting open or damaging the outer box as you may need it later.



Remove card board spacers between the Bonnet and Globe.



If possible, place the Litter-Robot in the same location as the old litter box. Make sure the Litter-Robot is on a level, firm surface.

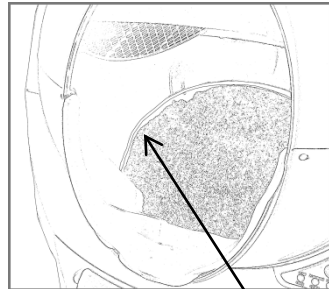
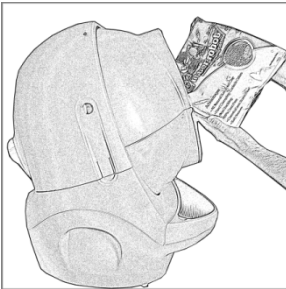
1. Fill the Globe with litter. The Litter-Robot litter sifting system requires a **clumping type** litter to work properly. We recommend a high quality clay-based clumping litter such as Litter-Robot™ brand premium clumping litter. Litter beads, and crystals may also be used with the Litter-Robot as long as the beads and crystals are small enough to pass through the screen – periodic changing of this type of litter is required. Litters that DO NOT work in the Litter-Robot are the strictly absorbent, non-clumping litters, newspaper based litters, loose clumping litters, and absorbent wood-based pellets. If you are using a litter alternative not listed

here, please contact us at [support@litter-robot.com](mailto:support@litter-robot.com) to make sure you are using a compatible litter.

If you are filling the Litter-Robot with litter for the first time, we recommend that you do not switch litter brands at this time. Your cat/s need to get used to this new litter box and introducing a new litter may increase their level of apprehension and anxiety. However, if you are currently using a non-clumping litter you will need to switch to a clumping type litter.

For the initial charge of litter we recommend starting with 9 to 10 lbs., or approximately 1 ½ gallons of volume of clumping litter.

Fill with clumping litter through the Entry/Opening. Once litter has been added, spread litter in bottom of globe and note the raised fill line. Litter should be at or below fill line.



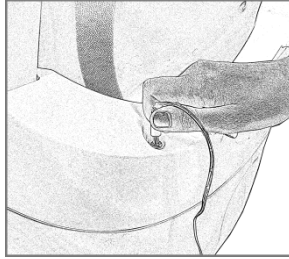
Fill litter to raised Fill Line on black rubber liner.

## Tip

*You can use one of the corner braces from the original packaging as a temporary funnel for the initial charge of litter.*



2. Insert the small plug end of the AC/DC adapter cord into socket located in back of the Base unit.



3. Next, plug the AC/DC adapter into a wall outlet.
4. Locate and press the Power Button. The Litter-Robot will now perform an initialization cycle which will last approximately 2 1/2 minutes. After completing the cycle, the Globe should be in the Home position with the blue LED on. Your Litter-Robot is now ready to use, however, we recommend powering off the unit until your cat/s become familiar with and begin to use the Litter-Robot.

### **Tip**

*If this is the first time you have filled the Litter-Robot with litter and you are trying to get your cats acclimated, you can pour a cup of used litter from the old litter box on top of the new litter in the Litter-Robot. This will provide a familiar scent for your cat. See the next section, 'Getting Your Cat to Use the Litter-Robot' for more tips.*

## **Getting Your Cat to Use the Litter-Robot**

Most likely, your cat will quickly adapt to the Litter-Robot. We recommend the following steps:

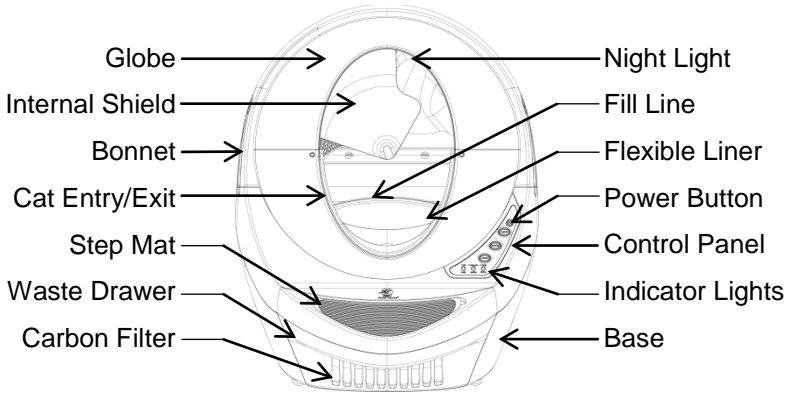
- Place the Litter-Robot in the same location as the current litter pan. Set up the Litter-Robot according to the instructions (make sure you add litter to the Globe) and make sure it is turned OFF. Give your cats a day or two to explore the Litter-Robot. If your cats show no interest, you

can entice them to approach the Litter-Robot by using some catnip or their favorite treat.

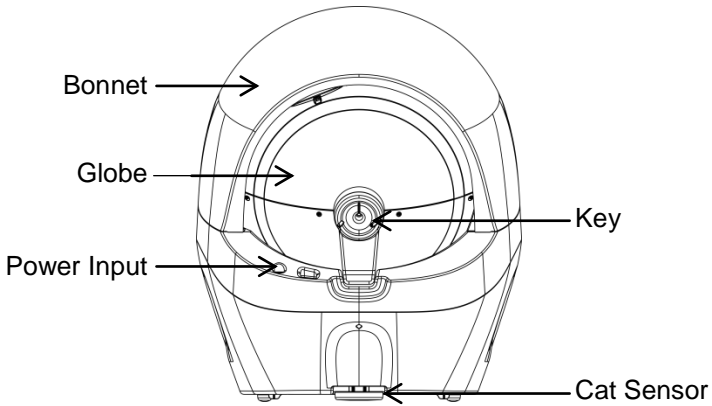
- Add a scoop of litter from the old litter pan. This provides a familiar scent for your cat.
- Place treats on the ledge or around the Litter-Robot so that the cat associates rewards with the unit.
- Since cats are curious and love to go into boxes, you might also try putting the original packaging over the Litter-Robot with a hole cut out for the entry and the drawer.
- Once you notice that your cats have used the Litter-Robot, you can cycle the unit manually by turning the unit ON. If the cats are present, it will give them a chance to observe the motion and become familiar with the sound of the Litter-Robot while you are present to reassure them. Turn the unit OFF again after the cleaning cycle has completed (the Litter-Robot should be in the home position). We recommend that you no longer clean the old litter pan once the Litter-Robot has been used by your cats.
- If your cats are not using the Litter-Robot within a few days, continue using the old brand of litter in the old litter box, and let it go as long as possible without cleaning it. Cats prefer a clean litter box and a dirty litter pan might persuade them to use the clean Litter-Robot. You can also consider replacing the litter in the Litter-Robot with a kind of litter specifically formulated for litter box training.
- Once your cats are consistently using the Litter-Robot, you can turn the unit ON and leave it ON letting it operate in automatic mode. You can now remove the old litter box.

*Congratulations, you have successfully introduced your cats to the Litter-Robot. Enjoy your freedom from litter box scooping!*

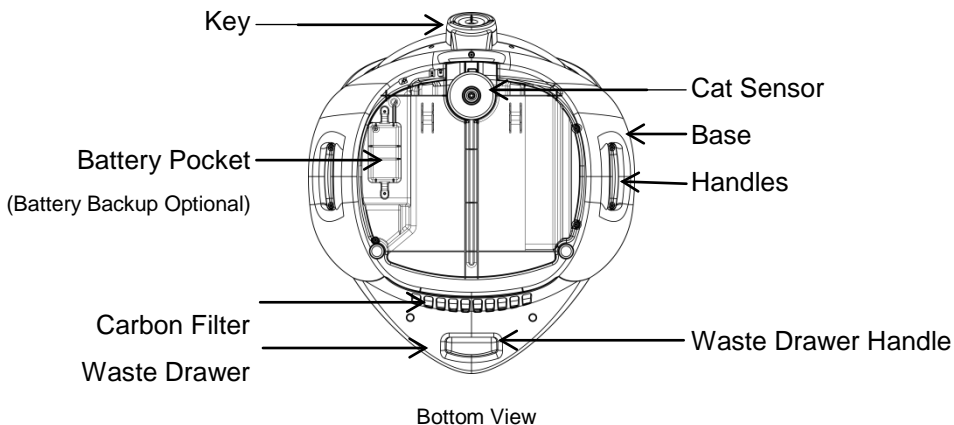
## Litter-Robot Components and Features



Front View  
Shown in Home Position

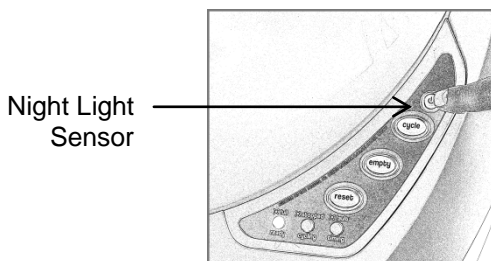


Rear View  
Shown in Home Position



## Control Panel - Button Functions

### 1. Power Button + [Night Light Function]



Press and Release: This turns the system power On and Off.

Press and Hold: Holding the Power Button toggles the LED Night Light On and Off.

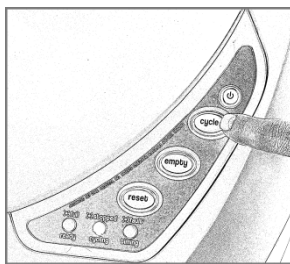
1. If the Night Light function is already activated and light is on, light will turn off, and if light is off (ambient light levels too high), light will flash on then off indicating Night Light function has been deactivated.

2. If the Night Light function is deactivated and the ambient light levels are high (day light) the light will flash on then off indicating Night Light function has been activated. In low ambient light (dark room) the light will come on and stay on.

The status of the Night Light function can be checked at any time by covering the light sensor, located above the Cycle button on the Control Panel, to see if the Night Light comes on or not.

Night Light settings are remembered when the unit is powered Off and back On again.

## 2. Cycle Button + [8 Hour Sleep Mode]



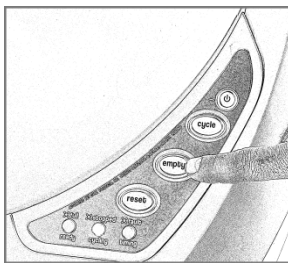
Press and Release: Pressing the Cycle Button starts the Litter-Robot cleaning cycle. In order to pause the cycle, press any button on the Control Panel during the Clean Cycle. Press Cycle once again to resume the cleaning cycle.

To stop and abort the Clean Cycle, press any button to pause the cycle, then press either Empty or Reset buttons to return the Globe to the Home Position.

Press and Hold: Holding the Cycle button will activate the 8 Hour Sleep Mode. When activated, the yellow LED will light up in addition to blue LED. Cat Sensor will be deactivated for the next 8 hours and unit will only cycle if Cycle button is manually pressed during this 8 hour window. Immediately after 8 hours, the unit will perform a cleaning cycle and then return to the home position with only the blue LED on and operate with the Cat Sensor active. The 8 Hour Sleep Mode period (Cat Sensor deactivated) will be

repeated every 24 hours at the time of initial setting. Press and hold Cycle button to exit this mode - note that if not within 8 Hour Sleep Mode period, yellow LED will flash on then off indicating you have exited this mode.

### 3. Empty Button + [Wait Time Setting]



Press and Release: Empties all litter from Globe into the Waste Drawer. Press any button to return the Globe to home position.

Press and Hold: Holding the Empty button will enter Wait Time Setting mode indicated by one of the LEDs flashing. Now use the **Reset** button to toggle between the different wait times.

Blue flashing= 3 minute wait time

Yellow flashing = 7 minute wait time

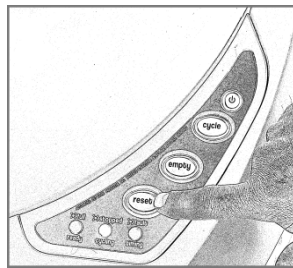
Red flashing = 15 minute wait time

Press and hold the Empty button to save this setting.

The Wait Time is the elapsed time starting from when your cat exits the unit to when the unit runs a clean cycle.

It may be useful to reduce the wait time to minimize odor and/or the time that the waste is available to other pets - such as dogs. However, reducing the wait time may reduce the cleaning effectiveness (clumps do not have enough time to set up). Extending the wait time may be desirable when using a lower quality clumping litter that needs more time to set up.

#### 4. Reset Button + [Control Panel Lockout]



Press and Release: Pauses the unit during cycling or will reset Cat Sensor baseline when pushed at home position with blue LED on.

Press and Hold: Holding the Reset button will activate the Control Panel Lockout feature indicated by the blue LED blinking temporarily when this setting is activated. This setting will lock out all button functions on the Control Panel while still allowing unit to function in automatic mode. Note that the unit may still be Powered Off by pressing and holding the Power button for 3 seconds. Press and hold Reset to turn off Control Panel Lockout feature. Blue LED will blink temporarily to indicate lockout function has been turned off.

## Control Panel - Indicator Lights

### **Blue LED On (OK/Waiting)**

This LED indicates that the unit is OK and that the Litter-Robot is ready for your cat.

### **Blue LED Flashing (Waste Drawer is Full)**

The blue LED flashing indicates that the Waste Drawer is approaching full condition. Remove waste and press Reset to cancel indicator.

### **Yellow LED On (Cycling/In Use)**

The Litter-Robot is cycling (Cleaning cycle or Empty cycle).

### **Yellow LED Flashing Once per Second (Cycle Interrupted by Cat Sensor or Bonnet Removal)**

1. While cycling, if the Cat Sensor is activated by your cat entering the Globe, the unit will stop and the yellow LED will flash once per second. 15 seconds after your cat has left the Globe, the unit will start to cycle again.
2. If Bonnet is removed during a cycle or while Globe is at home position, the unit will stop (if previously cycling) and the yellow LED will flash once per second.
3. Unit will resume previous function 5 seconds after replacing Bonnet.

### **Yellow LED Flashing Twice per Second (Cycle Interrupted by Anti-Pinch Safety Feature)**

While cycling, if the Anti-Pinch Safety feature is activated, the Globe will stop and reverse direction for 2 seconds and then stop. The Yellow LED will then flash twice per second for 1 minute. After this 1 minute period the Yellow LED will stop flashing and Globe will attempt to rotate toward Home position again.



## **Red LED (Sensor/Timing)**

The red LED indicates that the Cat Sensor has been activated. The Litter-Robot will begin cycling with yellow LED on after three, seven or fifteen minutes depending on the setting. Default setting is seven minutes.

### **Note**

If the Cat Sensor is tripped again within the set count-down period, the count-down timer resets. The Globe will not rotate until another three, seven or fifteen minutes have elapsed, depending on the setting. You can cancel the count-down timer (red LED is on) at any time by pressing the Reset Button.

## **Red LED Flashing (Cat Sensor Fault)**

A red LED flashing indicates that the Cat Sensor has been continuously activated for 2 minutes or more either from a cat that won't leave the Globe, or from too much weight in the unit caused by overfilling with litter.

## **Cat Sensor**

The Litter-Robot Cat Sensor is a weight sensitive switch that detects your cat entering or exiting the Globe.

Your cat must be at least five (5) lbs for the sensor to work. Do not use the Litter-Robot with kittens or cats that weigh less than five lbs.

Always be sure that each cat in your household is heavy enough to activate the Cat Sensor before you let the Litter-Robot operate in automatic mode.

Make sure the Litter-Robot is placed on a level firm surface. Placing the Litter-Robot on deep carpet may affect the sensitivity of the unit.

**Note that the Cat Sensor does not detect weight on the Step Mat and this is intentional. The Cat Sensor only detects weight inside the Globe.**

The standard setting is for a seven minute count-down to be started when the cat leaves the Globe. At the end of the count-down the Litter-Robot will start its cleaning cycle. Any subsequent tripping of the Cat Sensor starts a new seven minute count-down, preventing the Globe from rotating with your cat inside. You can adjust this time setting by pressing and holding the Empty button for 5 seconds and then pressing the Reset button to toggle through the settings.

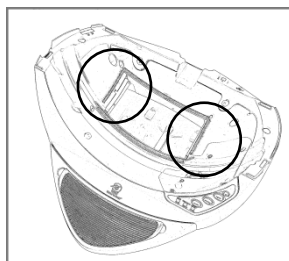
(Blue: 3 minutes, Yellow: 7 Minutes, Red: 15 Minutes)

### Caution:

**Please make sure that your smallest cat weighs at least 5 lbs before operating the Litter-Robot in the unattended automatic mode. Your cat must weigh at least 5 lbs to trip the Cat Sensor.**

### Drawer Full Indicator (DFI)

Your Litter-Robot is equipped with infrared emitters and sensors located above the waste drawer that detect when the drawer is full. The Control Panel displays a blue flashing LED when the DFI is activated. The Waste Drawer is checked every time the Globe returns to home position. Upon the first activation of the DFI, the blue LED flashes, and the Cat Sensor remains active. Upon the 3rd activation of the DFI (after 2 more clean cycles), the Cat Sensor becomes inactive and the unit will no longer cycle automatically. Check or empty Waste Drawer and push the Reset button to cancel mode.



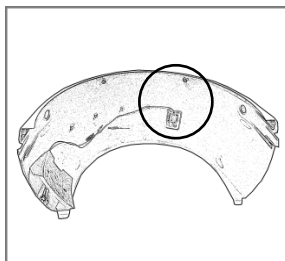
### Automatic Night Light

Although cats in general have excellent vision in low light conditions, as they get older their vision can diminish and the Automatic Night Light (located in the upper Bonnet) is there to assist elderly cats find the litter box in extreme low light

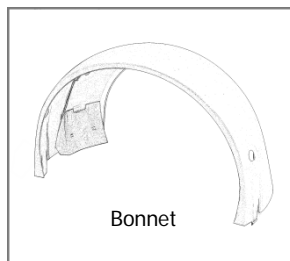
conditions such as a basement room without any windows. A light sensor located below and to the left of the Power Button turns the Night Light On and Off automatically. The Night Light function can be turned On and Off by pressing and holding the Power Button (see Control Panel - Buttons section -> Power Button, page 11).

## Bonnet

The Bonnet functions as a cover and guard for the waste port as the Globe (and waste port) rotate from the top of the unit into the Base. The Bonnet also provides a mount location for the Automatic Night Light, wires, and electrical terminals that provide a low and safe 5VDC to the Night Light. The Globe will not rotate without the Bonnet installed (see Control Panel - Indicator Lights section -> Yellow LED Flashing, page 15). The Bonnet is assembled to the Base by inserting the tabs at the bottom and rear of the Bonnet into the small holes in the Base, and rotating the Bonnet downward such that the snaps located at the bottom and front of the Bonnet are inserted into the matching slots and latched. Holes above the snaps provide a convenient finger hold while removing or installing the Bonnet. (See page 25-27 for bonnet assembly instructions.)

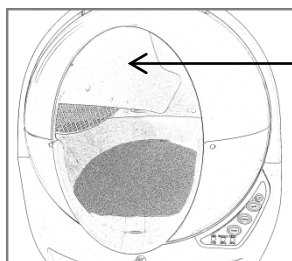


Underside of Bonnet  
showing Night Light



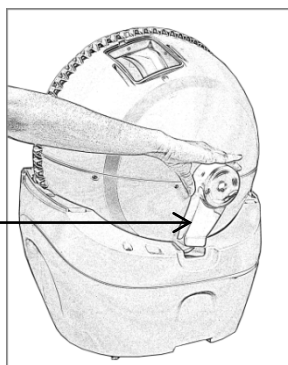
## Internal Shield and Key

The Internal Shield is located near the top, left side of the litter chamber or Globe. This shield provides a barrier between the working surfaces of the interior Globe and the interior space used by your cat/s. The position of the Internal Shield during cycling is controlled by the 'Key' located at the back of the Globe. Make sure the Key is positioned properly within the Base pocket. Note that the Internal Shield and Key are not required for the unit to function and may be removed if so desired.



Globe Front View

Internal  
Shield

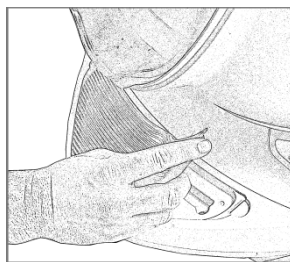


Rear view of Litter-Robot

Key

## Step Mat

The flexible and removable Step Mat provides a soft and gripping surface for entry/exit as well as acts as a litter catch for tracked litter. The Step Mat can be cleared of litter by simply removing, turning upside down and flexing within the Globe.



## 8 Hour Sleep Mode

This mode allows you to deactivate the Cat Sensor for 8 hours such that the unit will not cycle automatically. This mode is useful for units located in bedrooms or areas where you may not want the unit to cycle for a period of 8 hours.

The 8 hour period is repeated every 24 hours. The start of the 8 hour period is determined by when the mode was initially set.

To start this mode, at the desired time, press and hold the Cycle button until the yellow LED lights up. Both yellow and blue LEDs will be lit now, and during the next 8 hours indicating the unit is in 8 Hour Sleep Mode.

When the 8 hour period has expired, the unit will run a clean cycle. Once the Globe has returned to home position, only the blue LED will be on. Once the 8 hour sleep period begins again automatically, both yellow and blue LEDs will be on again.

To exit this mode press and hold the Cycle button until the yellow LED turns off, or if only the blue LED is on (not within the 8 hour sleep period), the yellow LED will flash and then turn off indicating you have exited from this mode.

## **Wait Time Setting**

The elapsed time starting from your cat exiting the unit to when the unit runs a clean cycle can be set for three, seven, and fifteen minutes. Seven minutes is the default setting.

It may be useful to reduce the wait time if it is important to minimize odor and/or the time that the waste is available to other pets - such as dogs. However, reducing the wait time may reduce the cleaning effectiveness (clumps do not have enough time to set up).

Extending the wait time may be desirable when using a lower quality clumping litter that needs more time to set up.

Press and hold the Empty button to enter the Wait Time Setting mode. One of the LEDs will be flashing indicating the current Wait Time Setting. Use the Reset button to toggle to the next setting/s. Press and hold the Empty button to save the setting.

## Control Panel Lockout

The Control Panel Lockout feature prevents children (or your pet) from pressing the buttons and cycling the unit unnecessarily. However, the Litter-Robot will continue to function normally in the automatic mode.

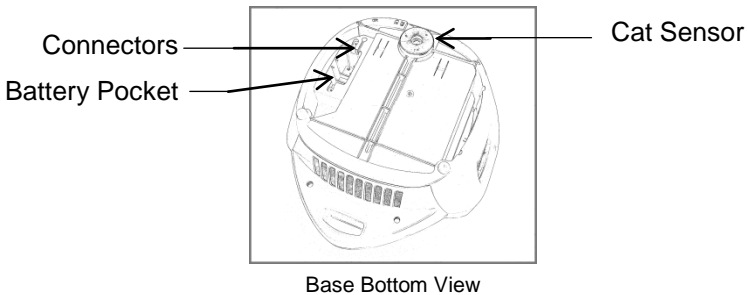
Press and hold the Reset button until the blue LED flashes indicating you have entered this mode.

Press and hold the Reset button to exit this mode. The blue LED will flash indicating you have exited this mode.

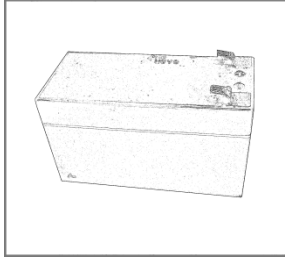
Note that you can turn the unit Off by pressing and holding the Power button for 3 seconds while in Control Panel Lockout mode.

## Battery Backup

The Litter-Robot has the option of Battery Backup. Using a sealed 12VDC, 1.2 Amp Hour battery allows the unit to continue working during power outages. The battery pocket and connectors are located in the bottom of the Base.



NOTE: Battery Backup kits can be purchased from our website. (Contact Customer Service at 877-250-7729 or visit [www.litter-robot.com](http://www.litter-robot.com)).



12VDC, 1.2 Amp Hour Battery

When power to the Litter-Robot is interrupted, the unit automatically switches to Battery Backup mode and is indicated by the Power button backlit with a yellow LED.

Note that the Night Light function is disabled when in Battery Backup mode to conserve energy.

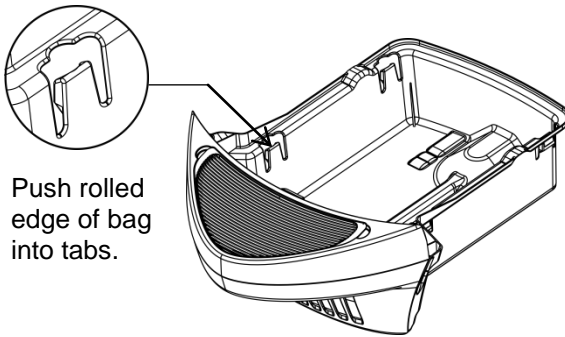
Also note that the 8 Hour Sleep Mode timer will stop when power to the unit is interrupted and in Battery Backup mode.

## Use and Care

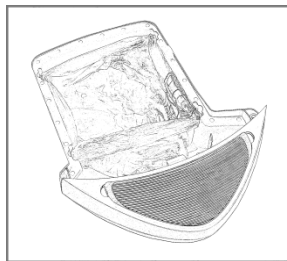
### Installing Waste Drawer Liners

Your Litter-Robot is shipped with a Waste Drawer Liner already installed - two extra Drawer Liners have been provided. The supplied Drawer Liners are made specifically for the Litter-Robot, however, any 8-13 gallon trash bag will also work well.

To install a Drawer Liner or trash bag in the Waste Drawer, open the bag, roll down the edge and push the rolled edge of the bag into the four tabs starting with the back and working your way toward the front of the Waste Drawer.



Push rolled edge of bag into tabs.



Bag Installed

### Carbon Filter

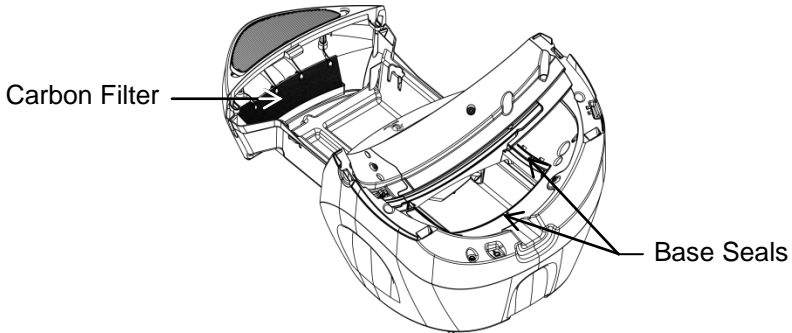
The Litter-Robot comes equipped with a flexible carbon filter pad for absorbing odors in the drawer. The carbon filter can be easily removed and replaced when cleaning the drawer.



The carbon filter is not required for the unit to function and replacement frequency is based on personal preference, however one filter should last a few months under normal use. Replacement filter kits (3 filters in a kit) can be ordered from customer service at 877-250-7729 or visit our website [www.litter-robot.com](http://www.litter-robot.com).

### **Base Seal**

The Litter-Robot also comes equipped with a brush-type seal which helps to contain odors within the Waste Drawer and Base. Replacement seals can be ordered from customer service if needed at 877-250-7729 or visit our website [www.litter-robot.com](http://www.litter-robot.com)



### **Emptying the Litter-Robot**

Press the Empty button to rotate the globe clockwise to the discharge position. After the litter has dumped into the Waste Drawer, you can press any button on the Control Panel to return the Globe to the home position.

If some litter remains in the Globe, you may want to sweep the remainder out with a brush.

### **Cleaning the Globe**

Before you clean the Litter-Robot please make sure that you remove all litter from the Globe - wet litter turns into messy clay.

After removing all litter from the Globe, remove the Bonnet by pressing and releasing the latches on both sides of the Bonnet, then lift and rotate the Bonnet off of the globe and carefully set aside. Then simply lift and remove the Globe. You can use the waste port area as a handle. Clean the Globe with water and a mild soap. There are no electronic components in the Globe which can be damaged by soap and water. If the Globe has become extremely dirty, it can be soaked and cleaned with a water hose or power washer. Be sure that the Globe is completely dry before returning it to the Base.

### **Cleaning the Waste Drawer**

The drawer can easily be removed and cleaned with soap and water. Always remove and rinse the Carbon Filter when cleaning the Waste Drawer. Make sure Carbon Filter is dry before reinstalling.

### **Cleaning the Base**

Never submerge or soak the Base. The Base contains the Cat Sensor and electronics. You can wipe the surfaces of the Base with a cloth dampened with a disinfectant. Do not use Bleach.

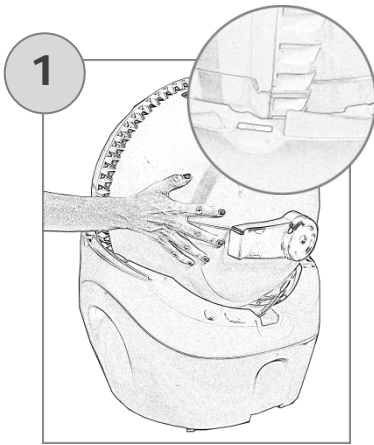
For a quick touchup, you can use a disposable towelette to wipe the inside and upper half of the Globe. This can be done without removing the litter. The Litter-Robot can be used immediately after this touch-up because drying is almost instantaneous.

### **Reinstalling Globe and Bonnet**

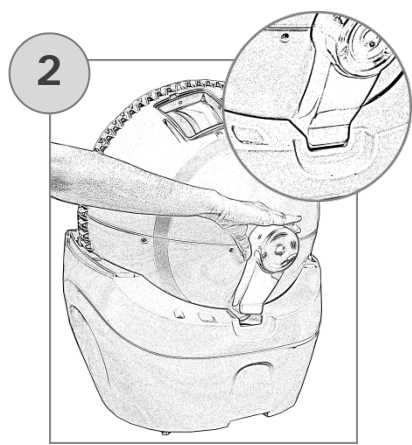
1. Place the Globe on the Base in the approximate home position (lip of opening at bottom) with the gear track lined up with the groove in the Base. Note that the Globe rotational axis is positioned at a 20 degree angle relative to the floor, therefore, Globe is installed slightly tilted in the Base.

2. Rotate Key at back of Globe into pocket of Base. The Key controls the motion of the internal Shield and needs to be in the Base pocket to function properly.
3. Find tabs at bottom and rear of Bonnet and align/insert tabs into small holes in Base.
4. Rotate Bonnet downward with light pressure on the sides such that Bonnet hugs the Globe. This will help to ensure proper alignment of Bonnet snaps with the slot openings in the Base. Once Bonnet snaps have entered the slots, push down on the Bonnet from the top and make sure that the Bonnet snaps have latched into place and Bonnet is secure. Note that the unit will not run without the Bonnet installed.

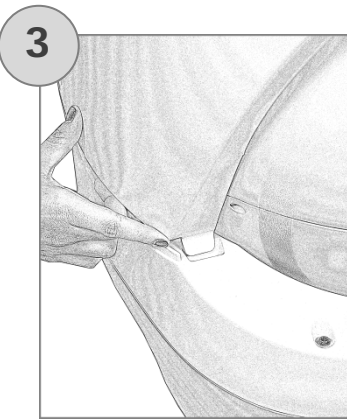
(See next page for diagram)



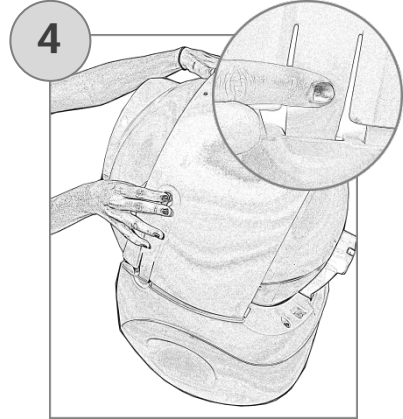
1 With Bonnet removed, make sure Globe gear track is aligned in groove of Base Unit.



2 Rotate Key into pocket in Base Unit.



3 Align and slide rear facing Tabs located on each side of the Bonnet into holes in Base Unit.



4 Rotate Bonnet downward aligning Snap Tabs with corresponding slots in Base Unit. Continue sliding Bonnet downward into place, assuring Snap Tabs latch and Bonnet is secure.

## Safety Features

### Globe Bonnet

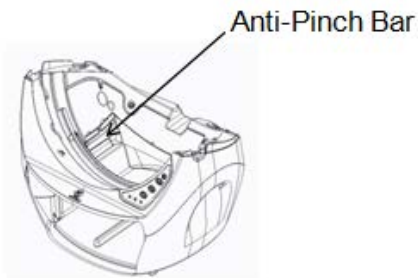
The Bonnet functions as a cover and guard for the waste port as the Globe (and waste port) rotates from the top of the unit into the Base. The Bonnet also provides a mount location for the Automatic Night Light, wires, and electrical terminals that provide a low and safe 5VDC to the Night Light. The Globe will not rotate without the Bonnet installed (see Control Panel - Indicator Lights section -> Yellow LED Flashing, page 16).

### Cat Re-Entry Protection

If the Cat Sensor detects that your cat is trying to enter the Litter-Robot during a cleaning cycle the Globe will stop rotating. The Litter-Robot then waits for 15 seconds before attempting to resume the clean cycle. Note that weight applied on the Step and/or Step Mat will not trip the Cat Sensor and stop the Globe rotation. **This is intentional as we do not want to invite a cat to enter by stopping the Globe rotation. If however, the cat steps inside, the Globe will immediately stop.**

### Anti-Pinch Safety Feature

The Litter-Robot comes equipped with an anti-pinch feature to make the Litter-Robot extra safe for your cat. If a potential pinch condition is detected, the Globe automatically stops and then reverses direction for approximately 2 seconds. The Yellow LED will then flash twice per second for 1 minute.



**Internal Shield**

The Internal Shield provides a barrier between interior working surfaces of Globe and interior area used by your cat preventing waste and litter residue from coming into contact with your cat.

**Automatic Shut Off**

If the Globe becomes jammed or overloaded, the motor will stop and the Control Panel will display a yellow, then red LED blinking sequence. To reset the unit, follow these steps:

1. Turn off and unplug the unit
2. Remove the obstruction or excessive litter
3. Reposition the Globe in the home position
4. Plug the power cord back in and turn on. The Litter-Robot will then perform a clean cycle and return to Home position with blue LED On.

If this condition persists, please call Customer Service, toll-free, at 877-250-7729.

## Money Back Guarantee and Warranty

### 90 Day Trial Period

If you or your cats are not completely satisfied with the Litter-Robot, just return the unit to us within 90 days for a full refund of purchase price. Please note that you are responsible for return shipping cost.

Please note that if you have purchased your Litter-Robot through a source other than Auto-Pets™ you must coordinate the return with that source and according to their product return policy.

If you have purchased directly from Auto-Pets™, please contact us at 877-250-7729 or email us ([RMA@litter-robot.com](mailto:RMA@litter-robot.com)) to obtain an RMA number. Shipments without an RMA number cannot be accepted. Please also refer to the Return Instructions insert.

Please make sure the Litter-Robot is cleaned and carefully packaged (the original packing materials are best) in order to avoid damage in shipment. The Return Instructions insert shows a packaging diagram for the Litter-Robot.

### 18 Month Full Warranty

Your Litter-Robot is covered by a full warranty for 18 months, starting from the date of shipment regardless of where purchased. This warranty covers all parts, labor, and shipping costs within the lower 48 states. Customers in Alaska, Hawaii and Puerto Rico as well as APO, FPO, and international shipments may incur additional shipping costs.

## **Contacting Customer Service**

If you have any questions, concerns or need assistance, contact Auto-Pets™, we'll be glad to help.

support@litter-robot.com

Toll-free: 877-250-7729

Phones: M – F: 9 AM – 5 PM Eastern

Email: M – F: 9 AM – 10 PM

You can also write to us at:

Automated Pet Care Products, Inc.  
2900 Auburn Ct.  
Auburn Hills, MI 48326

Additional self-help resources:  
<http://litterrobot.kayako.com/Knowledgebase/List>

If repairs are necessary, call or email us to obtain an RMA number prior to returning your Litter-Robot.



## Frequently Asked Questions

### **Will my cat actually go inside the Globe?**

Cats are generally curious and will investigate any new object. Cats that are already used to a covered litter box may be quicker to investigate. We recommend that the Litter-Robot be placed in the same location where the old litter box used to be. The old litter box can be left near the Litter-Robot for a short time. Take a cup of litter from the old litter box and add it to the clean litter in the Litter-Robot. The scent will be familiar, and the cat will be inclined to investigate. Once your cat has ventured inside and feels the litter under its paws, it will know what to do.

### **Can kittens use the Litter-Robot?**

We do not recommend that kittens or cats weighing 5 lbs or less use the Litter-Robot in the unattended automatic mode. Their low weight may not activate the Cat Sensor. Cats should be at least 5 lbs before using the Litter-Robot in the automatic mode.

**CAUTION: Leave the Litter-Robot turned off and only start the cleaning cycle manually until you are sure that all cats in the household are heavy enough to activate the Cat Sensor.**

**What if my cat won't use the Litter-Robot?**

If you and your cat are not completely satisfied, just return your Litter-Robot within 90 days of purchase for a full refund of the purchase price. Please note that you are responsible for return shipping costs. Please contact Customer Service to request a Return Authorization (RMA) number. Return shipments without an RMA number cannot be accepted.

**What happens if my cat tries to enter the Globe while it is rotating?**

The Cat Sensor will detect the presence of your cat once it enters the Globe and the motor will stop. The Litter-Robot pauses 15 seconds before resuming the clean cycle - assuming the cat has left the Globe.

**Are there any rakes, or wires inside the Globe?**

No, the Globe does not contain any rakes or wires that could hurt or harm your cat. The Litter-Robot was designed with your cat's safety in mind.

**Are the electronics or power source dangerous to my cat?**

No, the Litter-Robot operates on a safe 15 Volts DC using an adapter very similar to the ones you may have at home for a clock radio, or for charging your cell phone. All electrical components are located in the Base, away from where the cat could reach them. There are no electrical components inside the Globe.

**Will the Globe turn while my cat is inside?**

No, the Globe will not turn while your cat is inside. The Cat Sensor is tripped each time a cat enters, or re-enters the Globe, resetting the count-down timer to prevent the cleaning cycle from starting for another seven minutes.

**What happens if the Globe jams?**

If the Globe jams or an excessive load condition occurs, the motor is turned off automatically. In addition, the Litter-Robot is equipped with an anti-pinch safety device.

**Does the Litter-Robot require special litter?**

No, the Litter-Robot does not require special litter. In fact, the Litter-Robot works just fine with any clay-based clumping type litter. Some silica gel litter beads and crystals can also be used with the Litter Robot. Litters that do not work in the Litter-Robot are the strictly absorbent, loose clumping or non-clumping litters, newspaper based litters and absorbent wood pellet litter.

**How much litter do I put in the Litter-Robot?**

Start with approximately 9 to 10 lbs. of litter. Check that the litter does not exceed the Fill Line, however if there is too much litter in the globe it will be expelled into the drawer during the first few clean cycles. Since the waste clumps are removed during every cycle, there is no need to put excessive litter in the Globe.

**Does the Litter-Robot work with Feline Pine?**

No, Feline Pine pellets are too large to pass through the sifting screen. This prevents the litter sifting system from working properly. Feline Pine clumping is also too fluffy to effectively pass through the sifting screen.

**How often do I need to add litter?**

Experience shows that with two small cats (approx. 8 lbs. each), litter needs to be added about once a week, and sometimes it will last longer than that. The Litter-Robot uses litter very efficiently since the patented sifting mechanism only removes the clumps.

**Is dust a problem with the frequent rotation of the Globe and the movement of the litter?**

No, any dust is negligible since the Globe rotates very slowly.

**How often do I need to empty the drawer?**

This depends on the number and size of your cats. For two average-sized cats, twice per week is typical. For a single cat, once per week is usually sufficient.

**How often do I have to clean the inside of the Litter-Robot Globe?**

This depends on your personal preference and your cat's behavior. However, we recommend that you clean the inside of the Globe every one to three months.

**How do I clean the Litter-Robot exterior?**

Cleaning the Litter-Robot exterior is easy. Just remove the Globe and the Drawer and give them a sponge bath, or take them outside for deep cleaning with the garden hose. All other surfaces can be wiped clean but should not be submerged.

**CAUTION: The Base and Bonnet of the Litter-Robot contain electrical components and are not meant to be submerged.** See the Use and Care section for more details.

**What are the dimensions of the Litter-Robot?**

- The fully assembled Litter Robot is 29.5" high, 24.25" wide and 27" deep.
- The waste drawer is 12.5" wide, 16" long and 5" deep.
- The oval shaped entry for the cat is 15.5" high and 10 1/4" wide.
- The litter bed area measures 14" across at maximum litter capacity.
- There are 15 to 17" of head room for the cat inside the Globe depending on the level of litter. The inside width is 20" across at the widest point, and depth is 20" front to back.

## Troubleshooting

Please also visit:

**<http://litterrobot.kayako.com/Troubleshooter/List>**

### **Yellow-> Red LEDs flashing sequentially:**

Motor has detected an obstruction or jammed condition. Turn unit OFF then back ON to reset.

### **Red LED Flashing:**

Cat Sensor has been activated continuously for more than 2 minutes. Check for excess weight, such as too much litter or waste. Press the Reset button or turn unit OFF then back ON to reset Cat Sensor.

### **Yellow LED Flashing:**

Once per second: The cycle has been interrupted. This happens when the Cat Sensor is activated during the clean cycle or if the Bonnet is removed. Globe will stop cycling for 15 seconds. If after 15 seconds, interruption is no longer present, Globe will resume cycling with yellow LED on.

Twice per second: Pinch Detection has been activated. Unit will stop, reverse and after 1 minute will attempt to complete cycle again.

### **Blue LED Flashing:**

The Blue LED will flash to indicate the Waste Drawer is full. Check or empty the Waste Drawer and press the Reset button.

### **Blue and Yellow LEDs On:**

Litter-Robot is in 8 hour lockout mode. Cat sensor will be de-activated and unit will only cycle if Cycle button is manually pressed. This will happen every 24 hours based on the time of initial setting.

**Blue-> Yellow-> Red Flashing Sequentially:** Litter-Robot cannot find the dump position. Turn off then back on to reset unit. If condition persists, please contact customer service to discuss repair options.

**Red-> Yellow-> Blue Flashing Sequentially:**

Litter-Robot cannot find the home position. Turn off then back on to reset unit. If condition persists, please contact customer service to discuss repair options.

**Blue-Yellow-Red Flashing Simultaneously:**

Litter-Robot cannot find both home and dump position. Turn off then back on to reset unit. If condition persists, please contact customer service to discuss repair options.

Auto-Pets™  
2900 Auburn Ct.  
Auburn Hills, MI 48326  
PH: 248-322-9680  
EMAIL: Support@Litter-Robot.com