

## RGB LED LIGHTED WHIP with QUICK DISCONNECT

Before you start, read directions completely.  
If your vehicle is not pre-wired for external lighting, you may need the following:

- Inline Fuse Holder (SPXATC16 or similar)
- 3 Amp Fuse
- 2 Strand Primary Wire
- Wire Connectors / Solder
- Wire Cover
- Zip-Ties

### Optional:

- Switch
- Relay

1. Mount the base in desired location. The base requires a 1/2" / 13mm mounting hole.
2. Connect extension wire to the Red and Black wires and route wiring to the battery or switch / relay location.
3. Refer to diagrams for wiring.

**Diagram 1:** Wiring direct to power and using remote control to turn on/off. Must add 3 AMP fuse on RED 12V+ wire.

**Diagram 2:** Wiring with a switch. You can add a new dedicated switch or use an existing light switch that outputs 12V+ when ON. You will need to add a 3 AMP fuse on the RED 12V+ wire and also requires a 12V relay.



4. Attach whip and test. To attach or release the whip from the base, pull up on the locking collar.

When whip is not attached to base, use supplied cap to keep dirt and debris out of connector.



### WHAT'S INCLUDED

- 4'5' LED Whip
- Mounting Base
- Flag
- Remote Control
- Zip-Tie for Flag
- Mounting Base Cap

Diagram 1

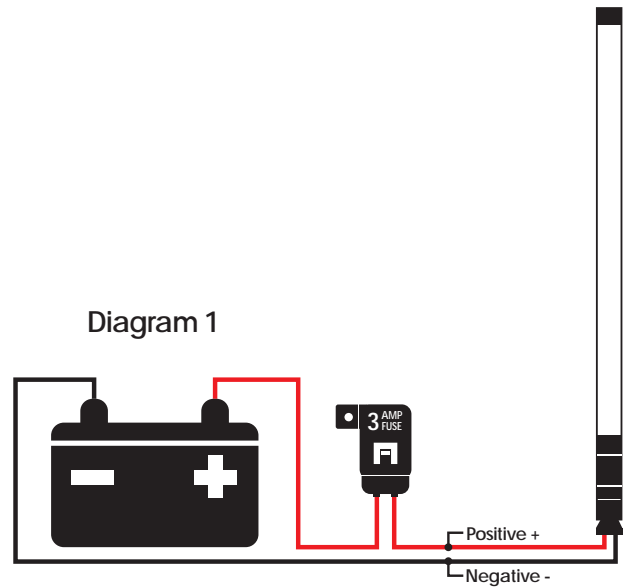
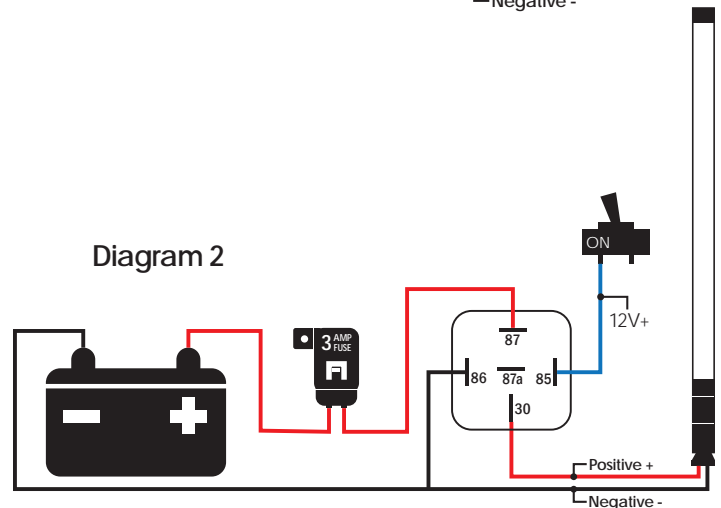
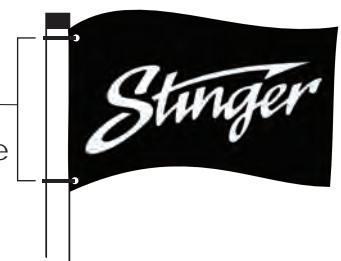


Diagram 2



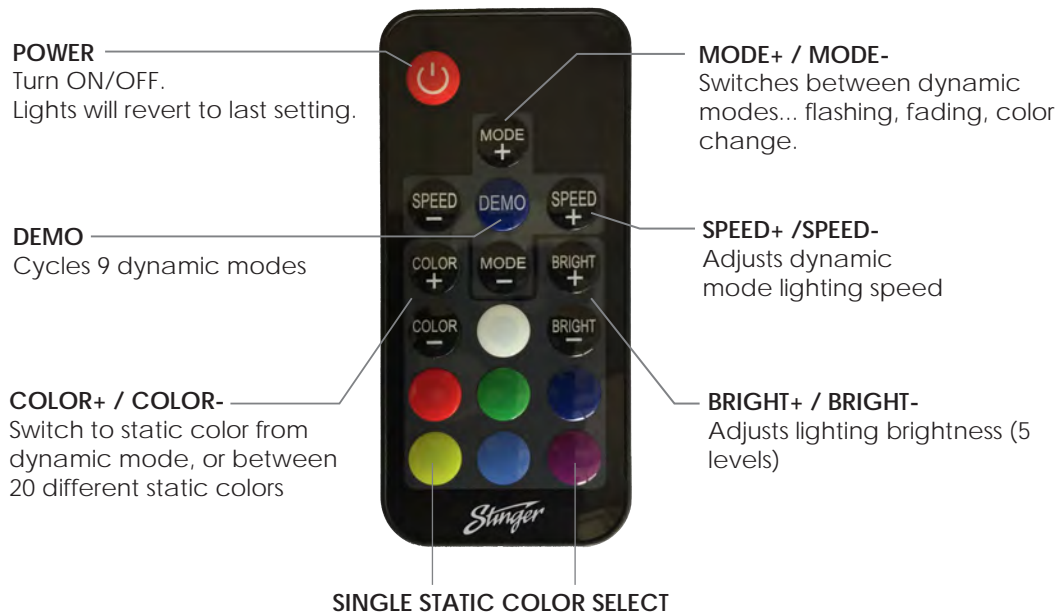
Use Zip Ties to secure flag to the whip



## RGB REMOTE CONTROL

20 static colors, 9 dynamic modes, 5 level speed / brightness

Battery: CR2025 / 3V - included



### LIMITED WARRANTY:

Stinger warrants this product to be free of defects in materials and workmanship for a period of one (1) years from the original date of purchase. This warranty is not transferable and applies only to the original purchaser from an authorized Stinger dealer in the United States of America only. Should service be necessary under this warranty for any reason due to manufacturing defect or malfunction, Stinger will (at its discretion), repair or replace the defective product with new or remanufactured product at no charge. Damage caused by the following is not covered under warranty: accident, misuse, abuse, product modification or neglect, failure to follow installation instructions, unauthorized repair attempts, misrepresentations by the seller. This warranty does not cover incidental or consequential damages and does not cover the cost of removing or reinstalling the unit(s). Cosmetic damage due to accident or normal wear and tear is not covered under warranty.

### INTERNATIONAL WARRANTIES:

Products purchased outside the United States of America are covered only by that country's Authorized Stinger reseller and not by Stinger. Consumers needing service or warranty information for these products must contact that country's reseller for information.



Stinger is a Power Brand of AAMP Global  
15500 Lightwave, Clearwater, Florida 33760  
P: 888-228-5560

support@stingerelectronics.com  
www.stingerelectronics.com  
© 2018 Stinger