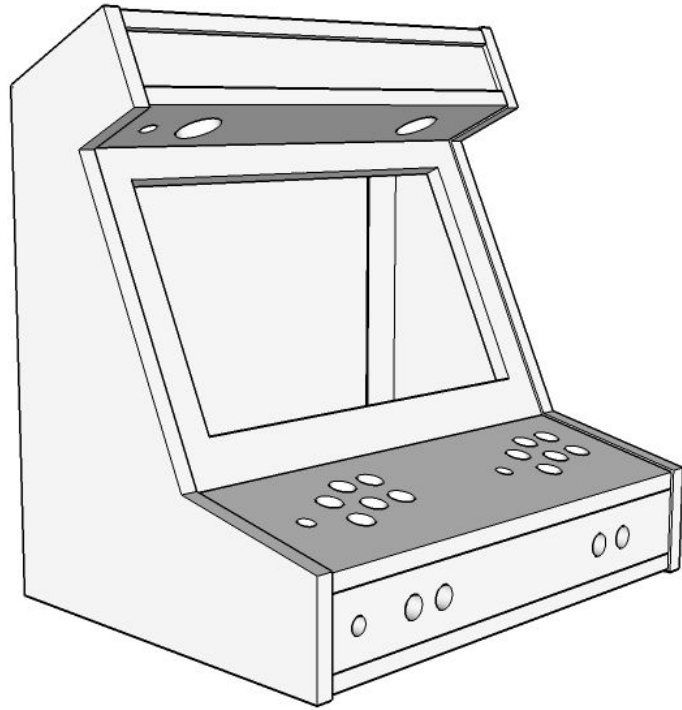


Bartop Arcade w/ Raspberry Pi



Can't get enough retro gaming? Why not build a cabinet to run a Raspberry Pi-based system! This model includes a 6-button/joystick layout, 21.5" display, USB port, custom LED-lit marquee, and 2" speakers with volume control. The design is versatile and can be changed to suit your specific needs in gear, layout, and appearance. All in a format that looks just as good in your living room as it does in a dedicated game room.

Design: Marc Spagnuolo
Plans: Marc Spagnuolo & Brian Benham
Copyright © 2017, The Wood Whisperer, Inc. TheWoodWhisperer.com
Version 1



Cut List

Section	Part ID	Part Description	Material	QTY	Width	Length
Arcade	A	Sides	3/4" Plywood	2	18"	25"
	B	Marquee Top	3/4" Plywood	1	6 3/4"	22"
	C	Monitor Panel	3/4" Plywood	1	18"	22"
	D	Control Panel Top	3/4" Plywood	1	7 7/8"	22"
	E	Control Panel Front	3/4" Plywood	1	3 1/8"	22"
	F (G)	Back - (Door)	3/4" Plywood	1	20 3/4"	22"
	H	Marquee Bottom	3/4" Plywood	1	4"	22"
	I	Bottom	3/4" Plywood	1	17 1/2"	22"
	K	Monitor Cleat	3/4" Plywood	1	4"	22"

Materials Needed:

1 Sheet of 3/4" Plywood

1pc of 1/8" Plexi Glass 3" x 22"

Optional - 1pc of 4/4 hardwood 1 1/2" x 96" for banding

Important Building Note:

After you cut your parts out and then cut the necessary bevels, there's a really good chance your final measurements will differ from those laid out in the plans. That's absolutely OK. The final shape of your cabinet will be transferred to the cabinet sides and those will be cut last. So use the cut list as your starting point and don't worry if your numbers differ slightly from the plans.

Resources

Everything you need to know about retro gaming on Raspberry Pi:

<https://retropie.org.uk>

The Raspberry PI:

<http://amzn.to/2j1sjQf>

Marquee LED Lights:

<http://amzn.to/2bjwbL>

Speakers:

<http://amzn.to/2ic6qws>

Display:

<http://amzn.to/2jbmZqK>

Buttons and Joysticks:

<http://amzn.to/2jbncKG>

USB Hub

<http://amzn.to/2j1sGdB>

Countersink Bit

<http://amzn.to/2j4VEW6>

Jigsaw Blades

<http://amzn.to/2ilquHI>

Clamping Tool Guide

<http://amzn.to/2j1gvxu>

Wiping Poly

<http://amzn.to/2j1qjre>

GRR-Ripper

<http://amzn.to/2iXnpmR>

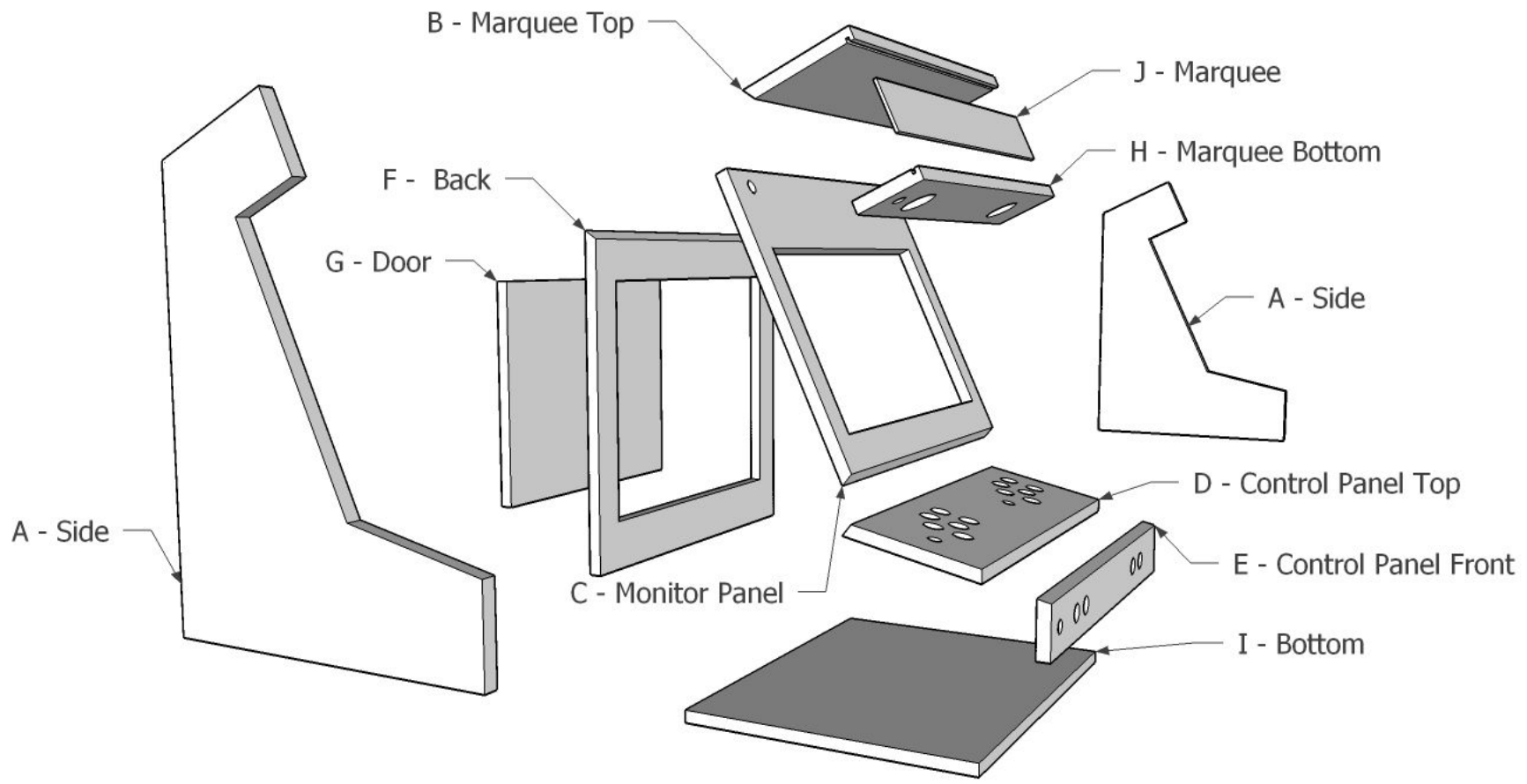
Self-Centering Drill Bits

<http://amzn.to/2iWmqBf>

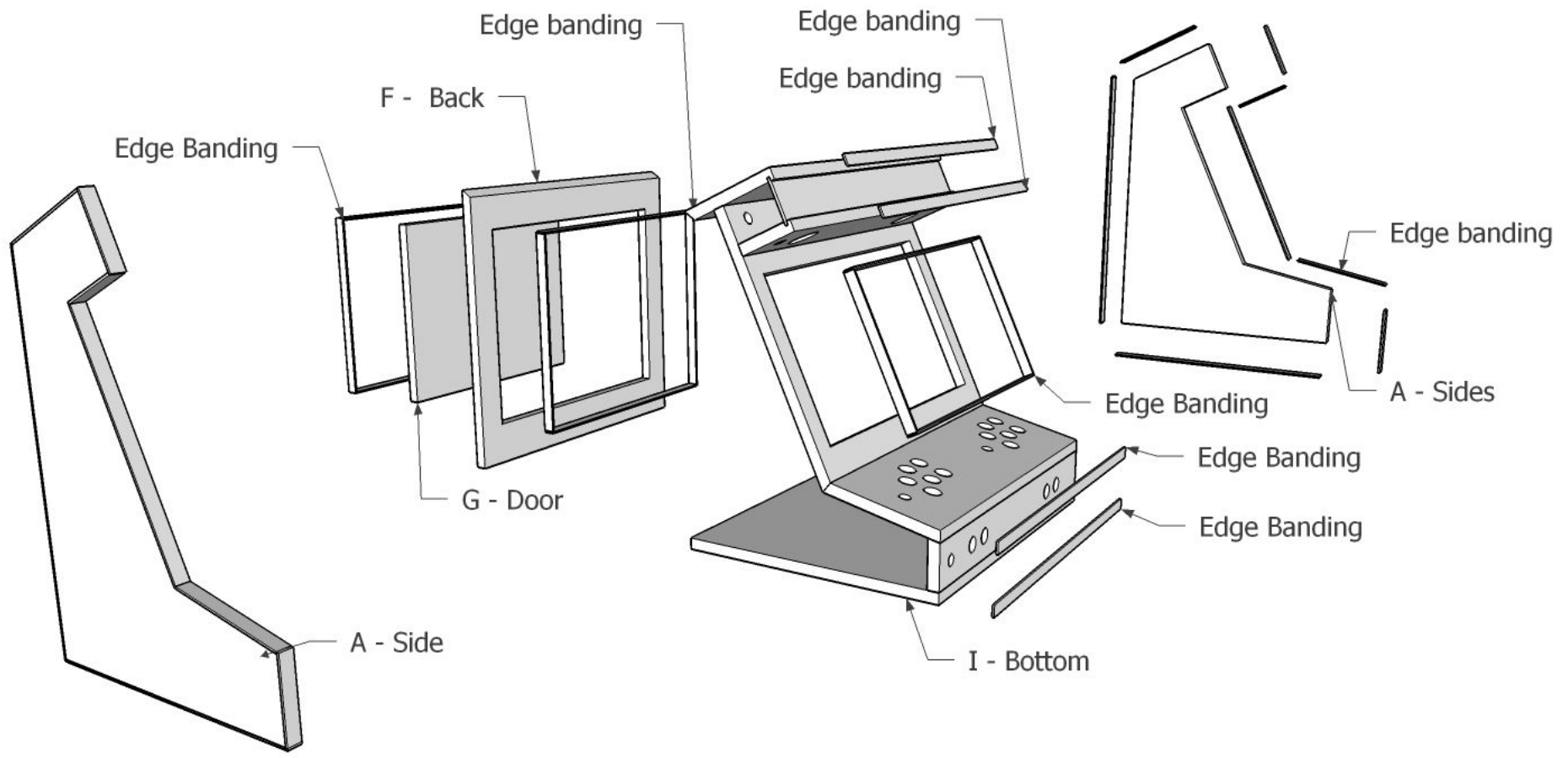
Flush-Trim Bit

<http://amzn.to/2jfkKBE>

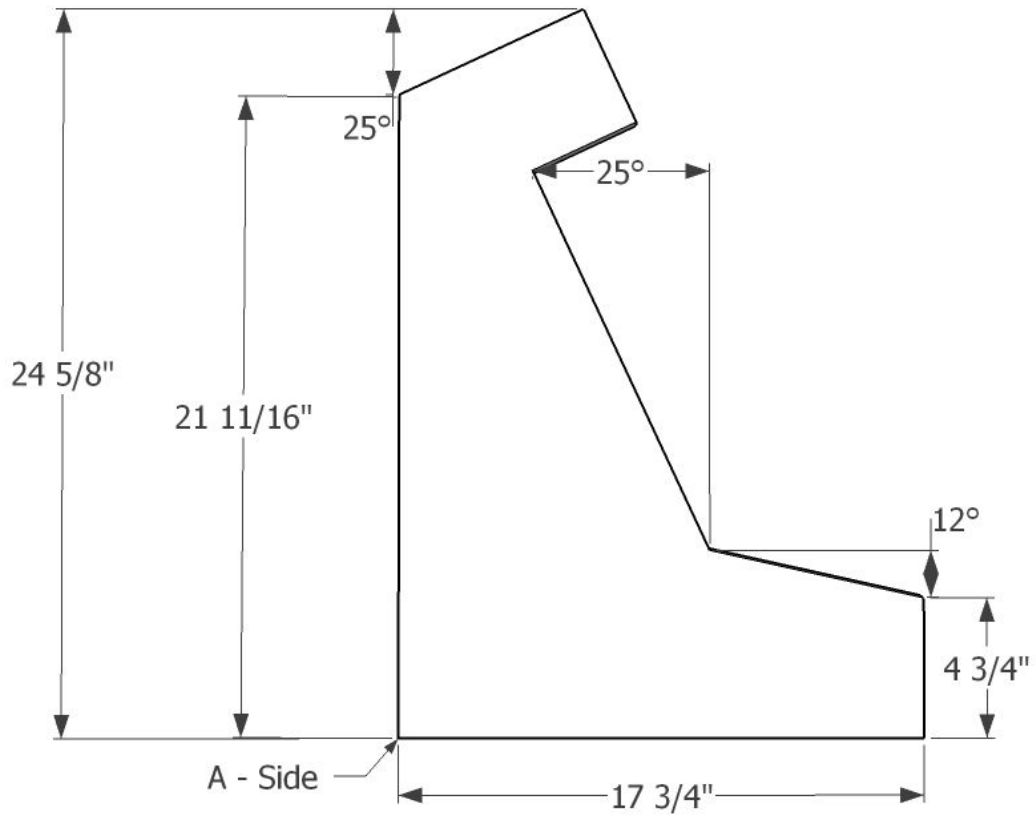
Exploded View



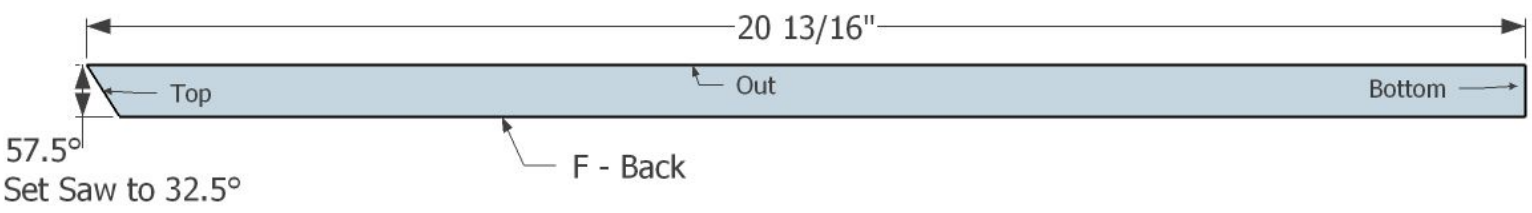
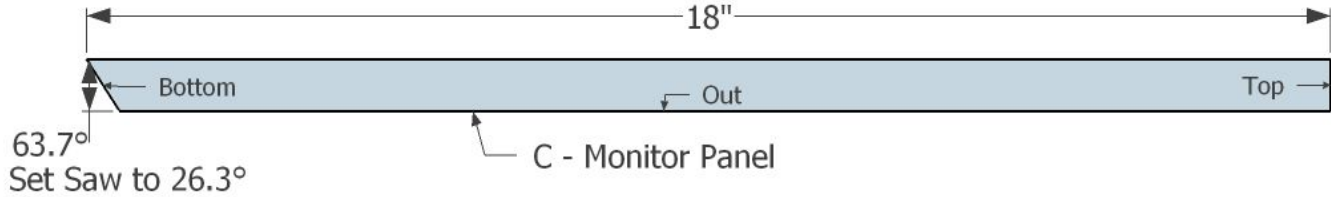
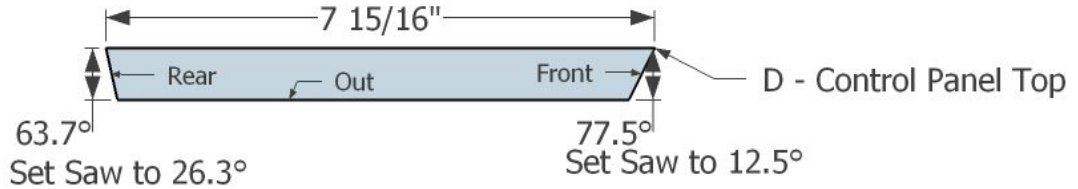
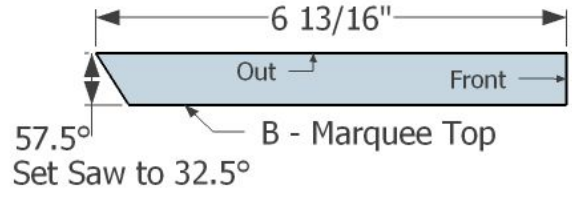
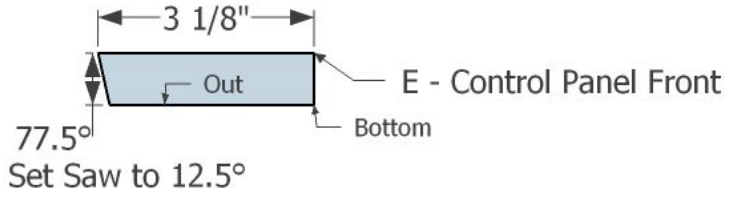
Banding Exploded View (optional)



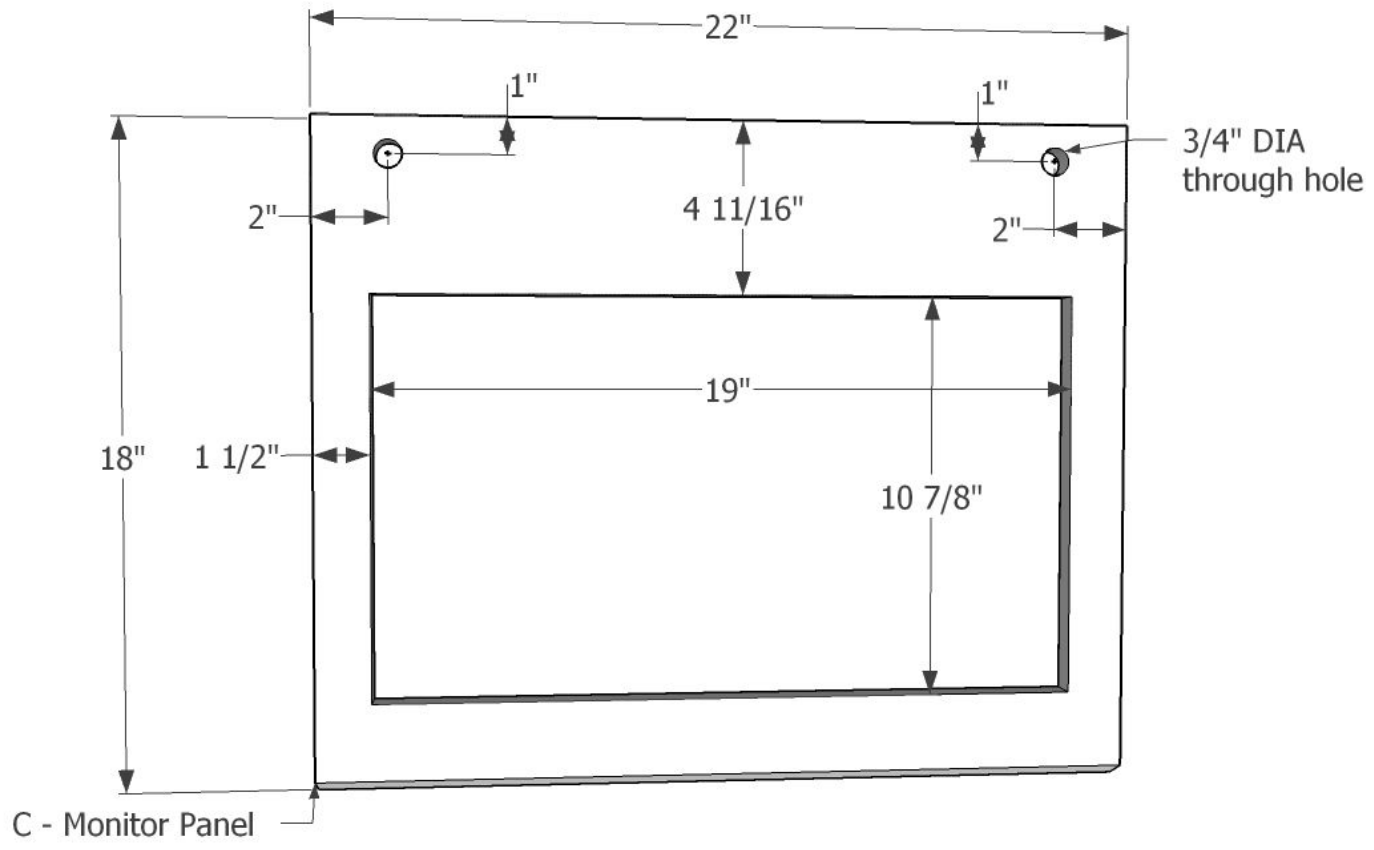
Sides



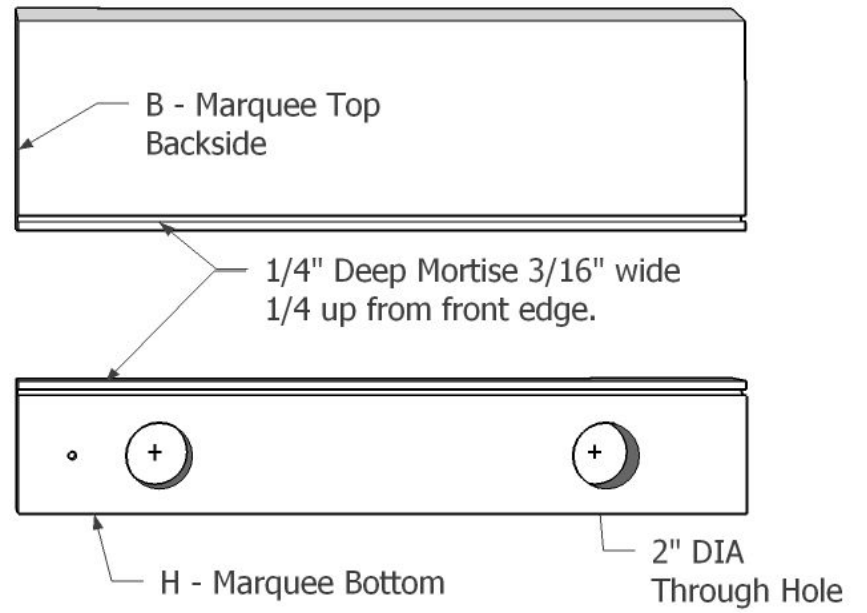
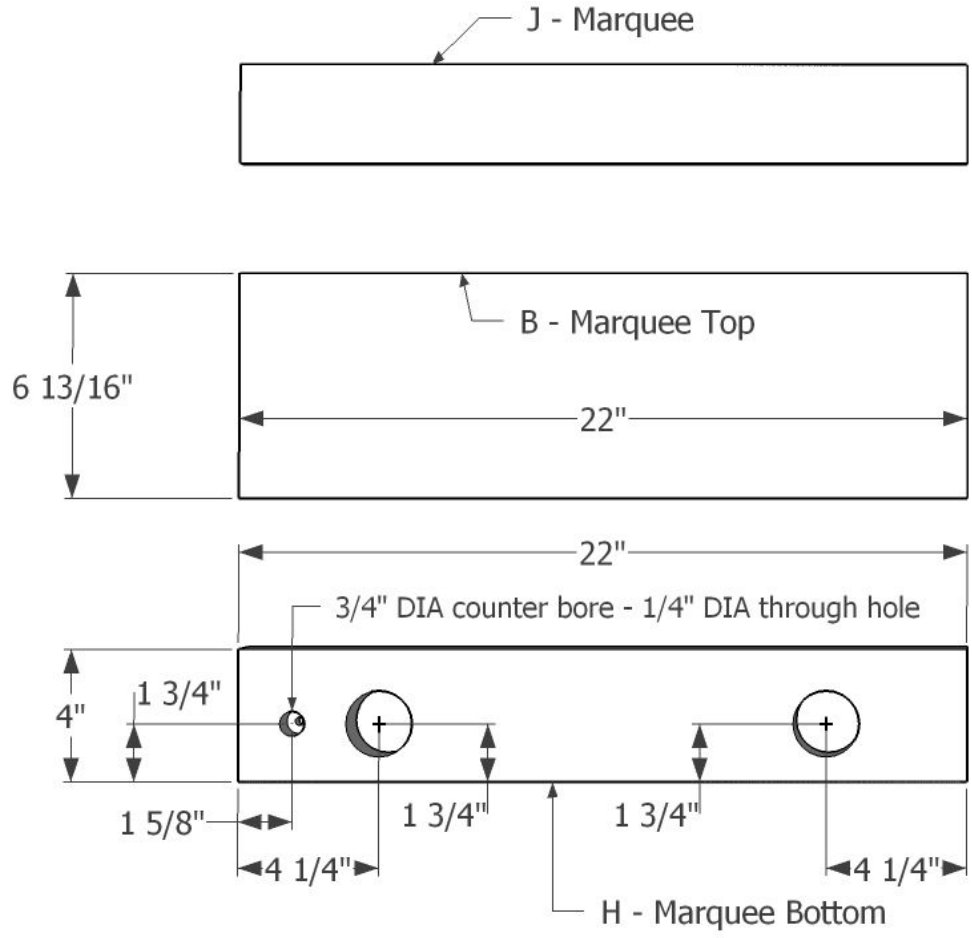
Bevel Cuts



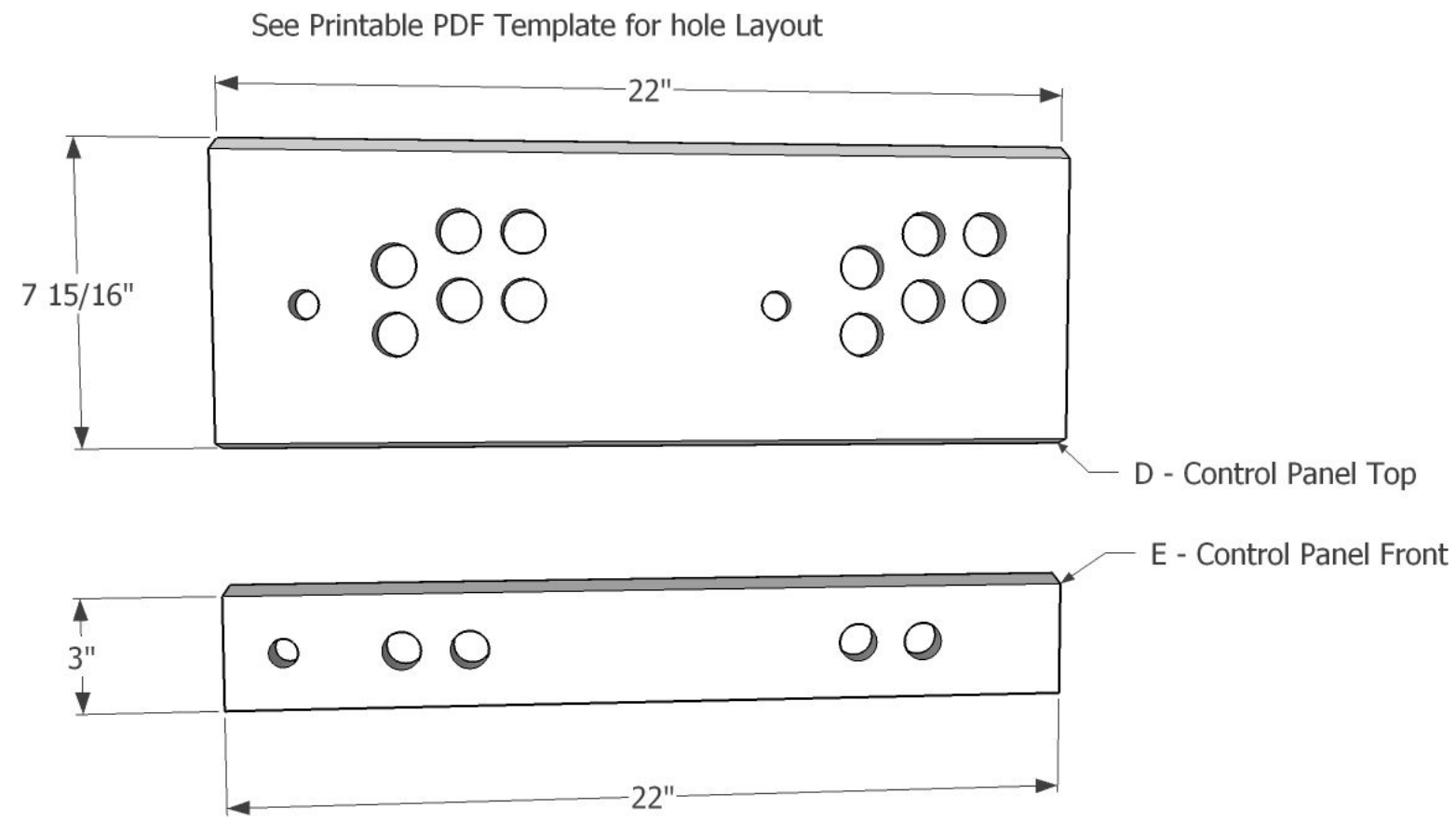
Monitor Panel



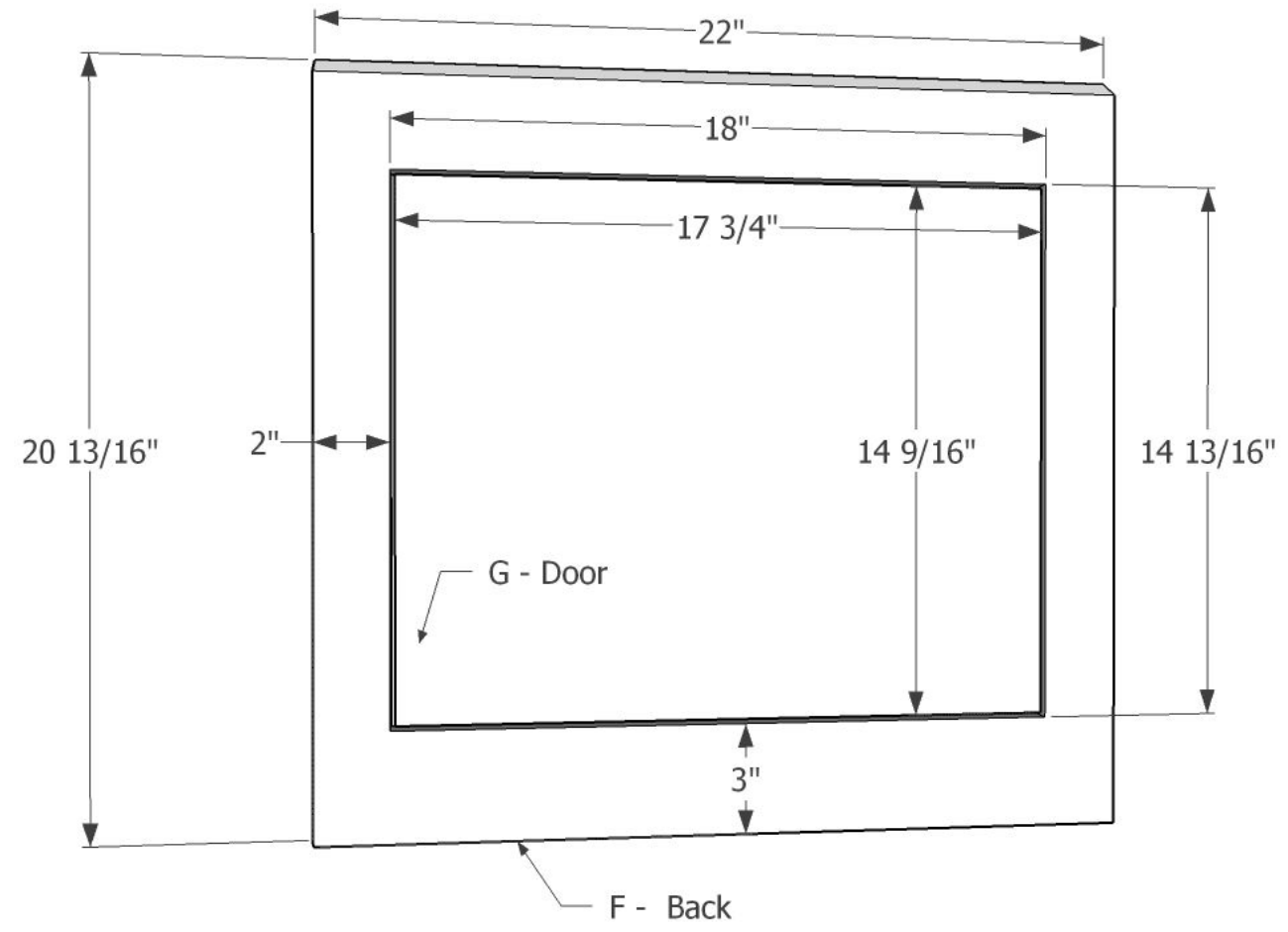
Marquee Pieces



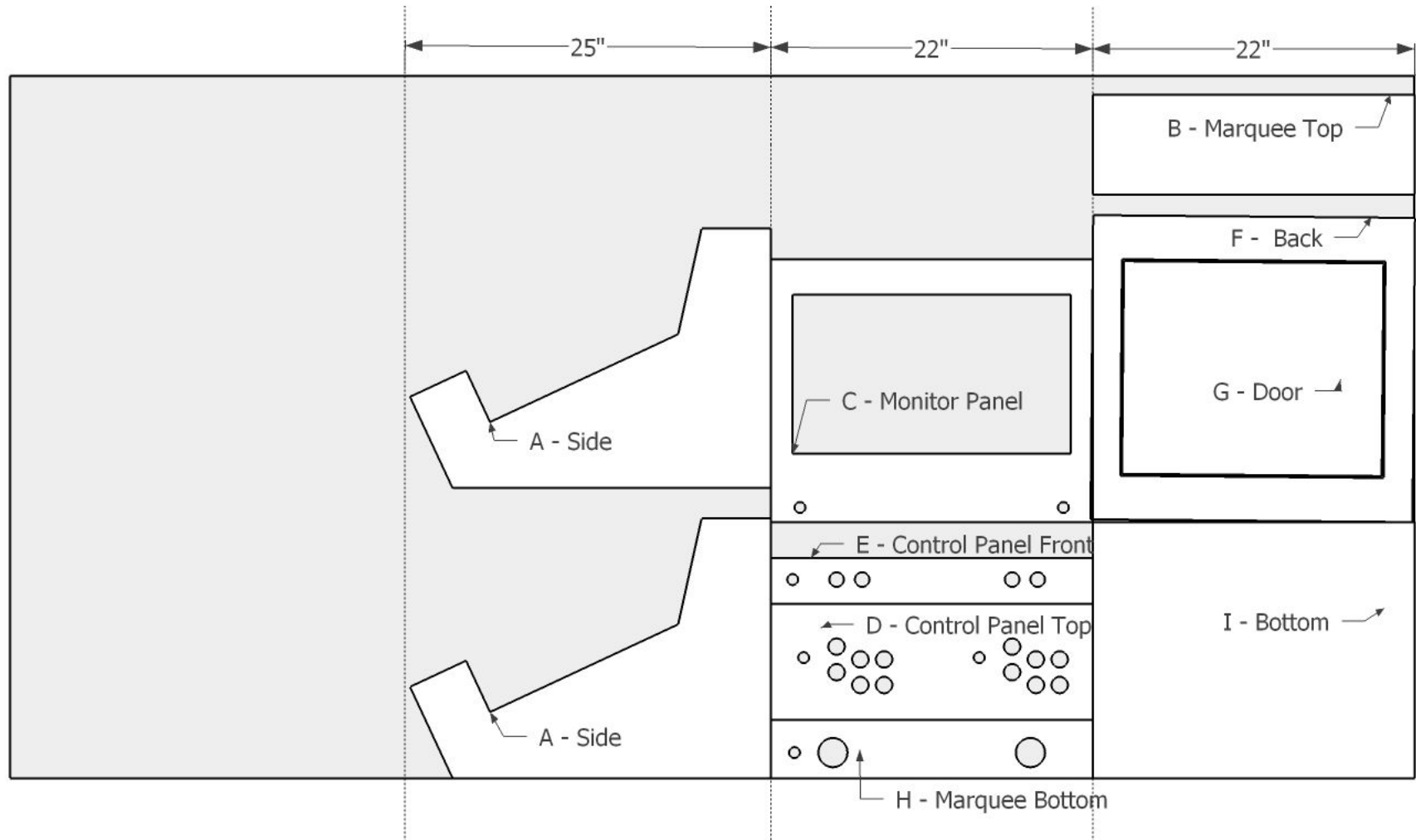
Components Layout



Back



Plywood Cut Diagram



Wiring Diagram

