

Handleless Kitchen Installation Manual



Contents

| | | | |
|-------------------------------|---------|--|---------|
| Contents and introduction | Page 3 | BUOH profile | Page 16 |
| Guide - Hints and tips | Page 4 | Built under appliances | Page 16 |
| Planning dimensions | Page 5 | Internal corner piece | Page 17 |
| Profile overview | Page 6 | End caps | Page 17 |
| Fittings packs overview | Page 7 | Appliance infill application | Page 18 |
| Before you begin | Page 8 | Island applications | Page 19 |
| Cabinet modification | Page 9 | External corner post | Page 20 |
| Worktop profile | Page 10 | Base decor panel - cutting application | Page 22 |
| Drawer profile | Page 11 | Drawer application | Page 23 |
| Worktop profile corner return | Page 12 | Push to open | Page 25 |
| Drawer profile corner return | Page 13 | Other appliance applications | Page 26 |
| End tower profile | Page 14 | HL base cabinet for sink application | Page 26 |
| Mid tower profile | Page 15 | | |

Introduction

This manual has been designed to give specific information on how to install the Handleless kitchen profile system. The manual should be used in conjunction with the main kitchen installation manual where you will find general kitchen fitting information.

The handleless profile system uses a new dedicated cabinet, which has been manufactured to ensure the profiles can be fitted quickly and easily.

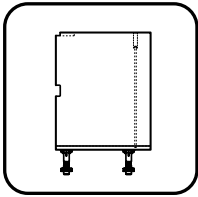
Whilst you may have installed many Howdens kitchens before, please make sure you are familiar with how the new profile system works, by reading this manual before you start the installation.

Cabinets are installed exactly the same as in a regular kitchen build, however there are a few key points to be aware of, as you will see from the planning overview page.

Profiles are supplied in specific lengths and should be cut down where required to fit the cabinet run. Please ensure any measurements are checked before profiles are cut.

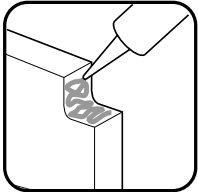
No specialist tools are required to install handleless kitchens. Fittings packs are provided for the various profile applications as shown in this manual.

Guide - Hints & tips



Handleless cabinets

The handleless cabinet platform has been designed to work with specific profiles which give a sleek linear kitchen design on different ranges. The main differences in the cabinet are the cut-out sections for the profiles, which have been pre-manufactured ready for you to simply install. Should there be the need to modify one of Howdens standard rigid cabinets, a jig is available from your local depot.



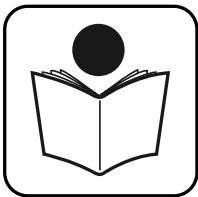
Sealing

We recommend any raw edges are sealed using a silicone sealant, clear or colour. We also recommend that MDF spacer rails are sealed around wet areas such as a sink and tap with a waterproof varnish.



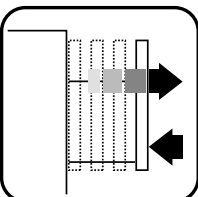
QR codes

Some areas of installation have a QR code referenced against them. Scan the QR code using your smart device to access a short video giving an overview of the assembly of that particular component. You do not need a special App to scan a QR code, simply put your phone onto the camera mode and hover over the QR code. You will then be prompted to view the video.



Kitchen installation manual

Cabinet preparation and installation for handleless ranges is the same as in a normal kitchen. This manual is therefore focussed on the fitting of the profiles. The main kitchen installation manual should be followed for all other aspects of assembly and installation, including leg and decor accessory fixing.



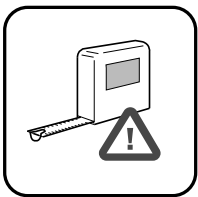
Push to open (PTO)

All wall cabinet doors will need to be used with a PTO magnetic catch. In addition to this, PTO drawers are available for use in ranges where the drawer profile cannot be used. PTO drawer mechanisms are only available for use with the upgrade drawer box and are also not compatible with standard or shallow drawer boxes. PTO is not available for appliance and larder accessory pull-outs. These units require the use of profiles if part of the handleless range. PTO specific sales options are set up for handleless ranges.



Profile cutting

When cutting profiles to length, please be aware of sharp edges at the ends. Aluminium cutting blades should be used.



End cap and corner return considerations

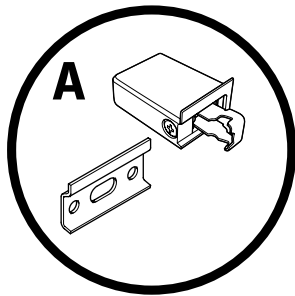
When cutting worktop and drawer profiles to length, allow 2mm cut down at each side for end caps. If planning a corner return, the front worktop profile will require an additional 9mm added to the length.

Important: Do not cut profiles until measurements have been checked.

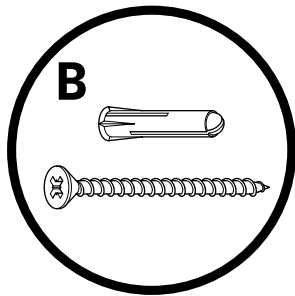
Planning dimensions

CONSIDERATIONS

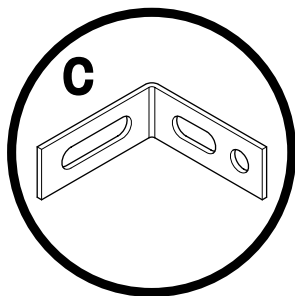
- Worktop height is elevated by 30mm compared to other kitchen ranges, due to the profile application.
- Tower applications require a 30mm spacing on each side to allow for the profile fitting.
- Wall unit doors will require a push to open magnetic catch.
- Base and tower cabinets are supplied pre-notched for profiles.
- Support bars should be used over unsupported worktop spans (over 700mm) when using granite, quartz or thin worktops.



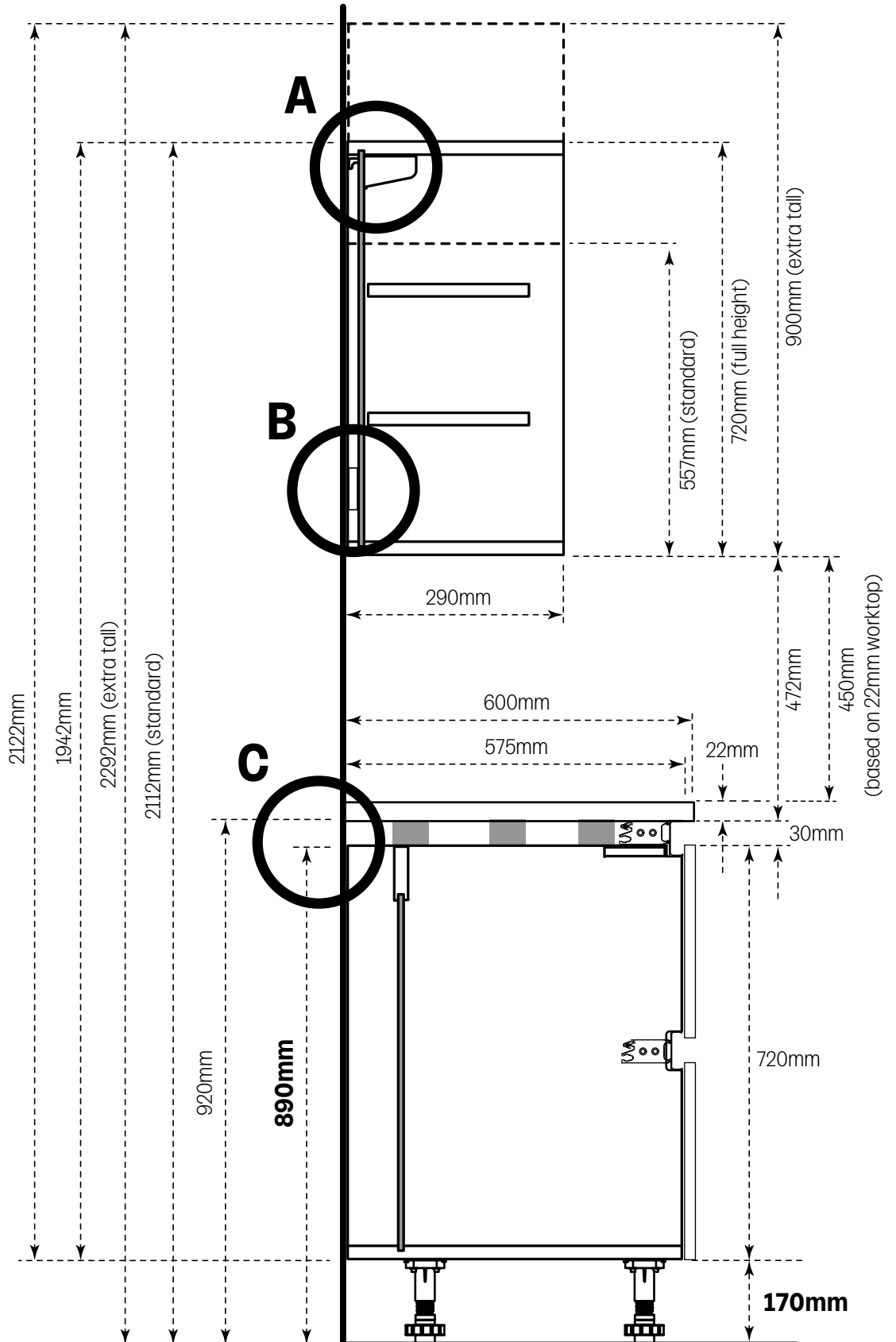
Wall hanging brackets



Wall fixings



Base cabinet fixing bracket



Profile overview - Inc. codes and dimensions

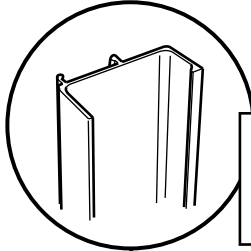
Scan the QR code with your smart device to access a short installation video



End Tower Profile

Length: 1942mm (GPT**04)
2122mm (GPT**06)

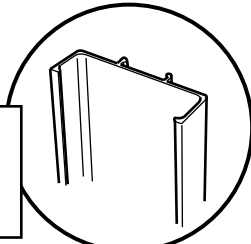
Profiles are part of a range sales code which include fittings.



Mid Tower Profile

Length: 1942mm (GPT**03)
2122mm (GPT**05)

Profiles are part of a range sales code which include fittings.

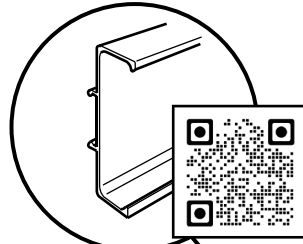


Drawer Profile

Length: 3000mm (GPT**02)

Profiles are part of a range sales code which include fittings.

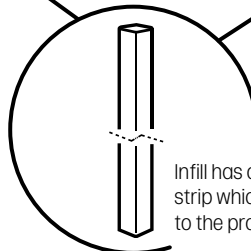
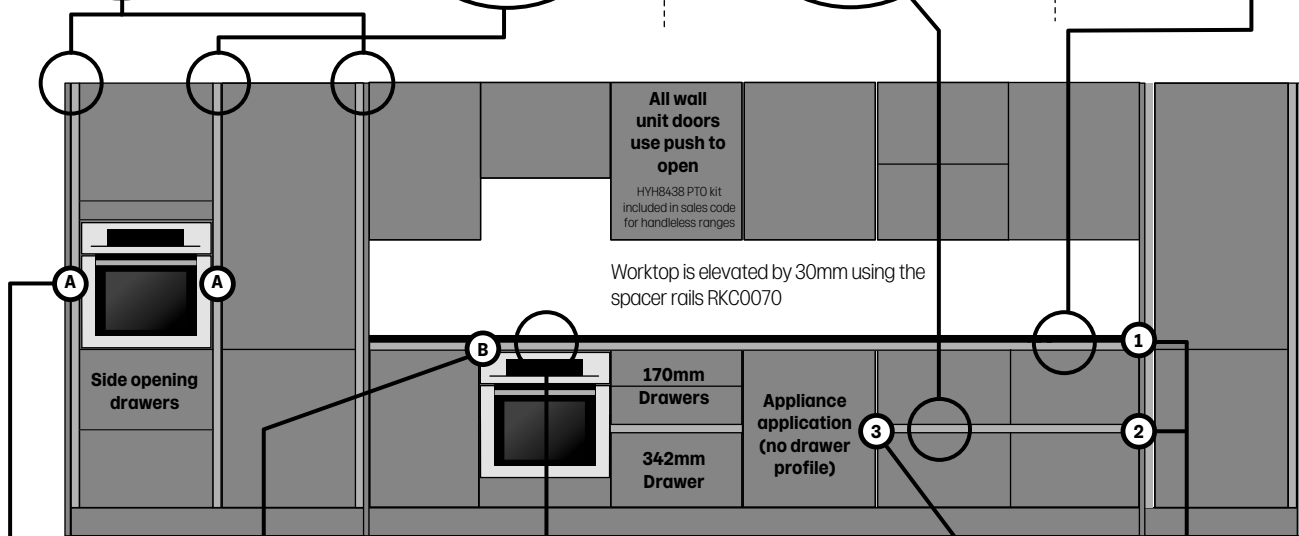
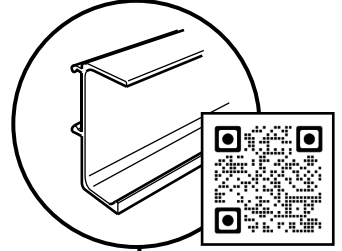
Please note: Dummy drawer profiles are not available in Handleless.



Worktop Profile

Length: 3000mm (GPT**01)

Profiles are part of a range sales code which include fittings.

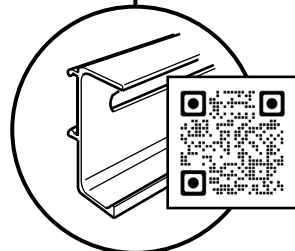
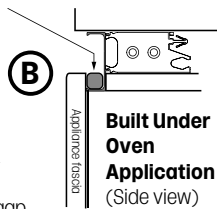
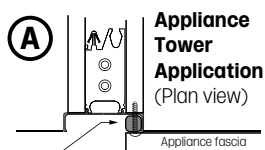


Appliance Tower Infill

Length: 452mm (GPT**14) - Pair
602mm (GPT**13) - Pair

Fits behind oven fascia to help secure the appliance* in a tower application and fill the gap.

*Screw fix the appliance through the infill and into the profile/cabinet in a tower application only



BUOH Profile (vented)

Length: 600mm (GPT**07)

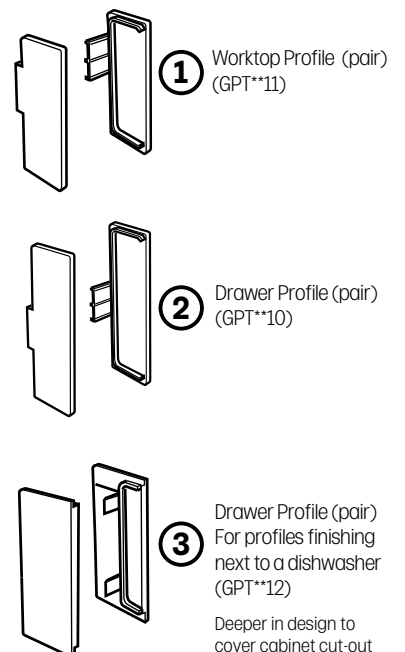
Profiles are part of a range sales code which include fittings. In-line profile joint connector supplied in profile SKU carton.

This profile is only required for standard BUOH. The low BUOH can use the worktop profile.

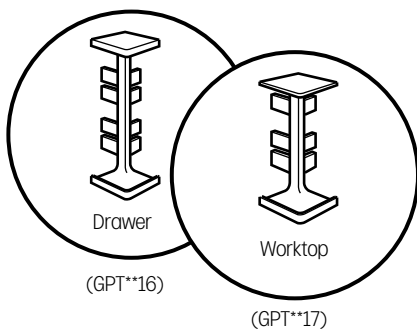
3 End Cap Types

Caps fit to the end of the profiles to cover the cabinet cut out.

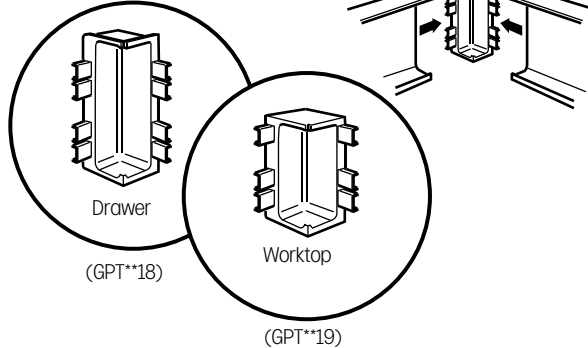
Note: When cutting worktop and drawer profiles to length, allow 2mm each side for end cap thickness.



External Corner Pieces



Internal Corner Pieces

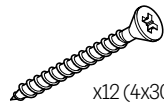
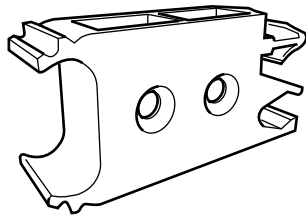


Fittings packs overview - Inc. codes

Fittings packs are required to install the profiles

Fixing bracket kit - Used to secure all profiles to cabinets (HYH8461)

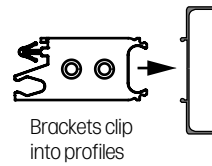
Brackets x6 and Screws x24 (per pack)



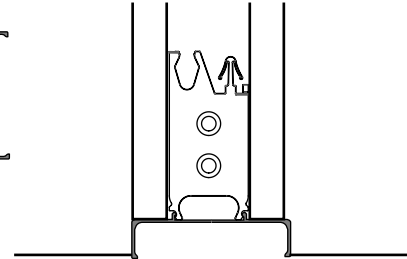
x12 (4x30mm)
Base cabinet application



x12 (3.5x20mm)
Larder cabinet application



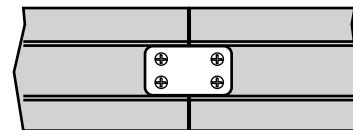
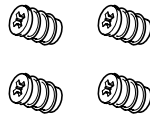
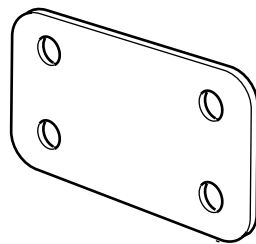
Brackets clip into profiles



Larder mid profile application

In-Line profile joint connector - Used to secure two profiles together in a long run (HYH8462)

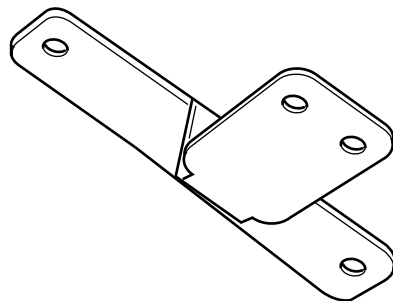
Brackets x1 and Grub Screws x4



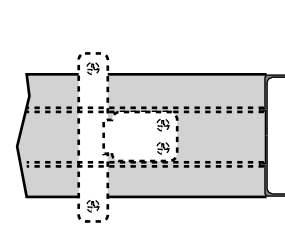
Joining two profiles

Drawer profile external return bracket - Used to secure the drawer profile on an external corner (HYH8463)

Bracket x1, Grub Screws x2 & Wood Screws x2



x2 (3.5x13mm)

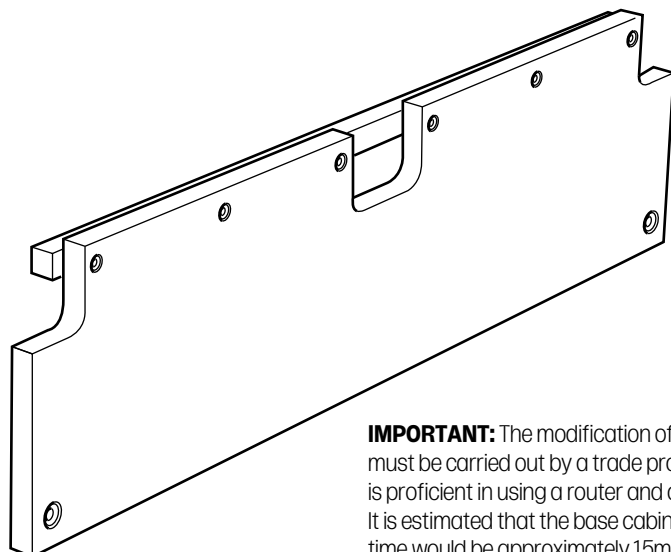


Bracket secures to the side of the cabinet

Cabinet jig (TLS0652)

Cabinets are pre-notched for profiles, but a jig is available for any standard rigid base cabinets that require cutting.

Note: A straight edge would be required for cutting tower cabinets.

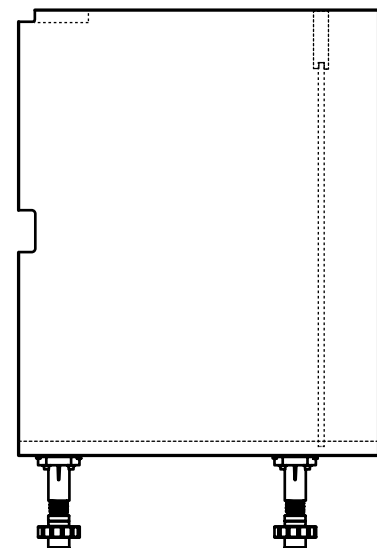


Worktop

All handleless base cabinets

Drawer

Handleless drawer profile cabinets only



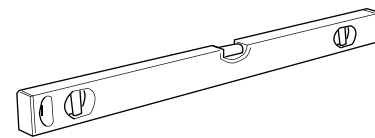
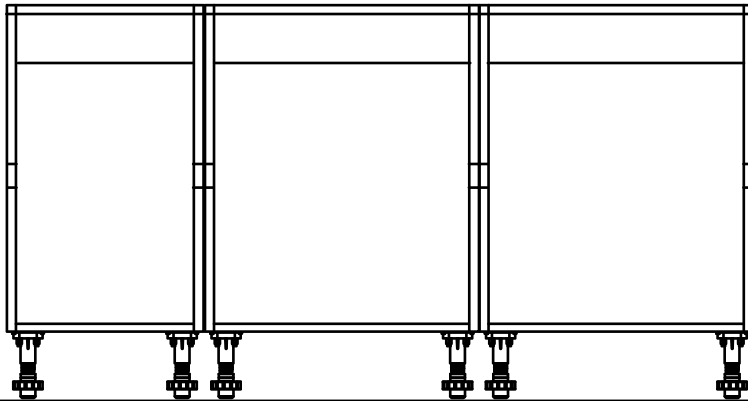
IMPORTANT: The modification of cabinets must be carried out by a trade professional who is proficient in using a router and a plunge saw. It is estimated that the base cabinet modification time would be approximately 15mins and a tower cabinet approximately 25mins.

Before you begin

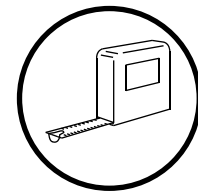
Cabinet installation is the same as in any other Howdens kitchen. Please follow the kitchen installation manual for all aspects of cabinet leg fixing, wall fixing and alignment.

Base cabinets must be perfectly level and secured to the wall before the profiles are fitted. Measure the length of the cabinet run and cut the worktop/drawer profiles accordingly.

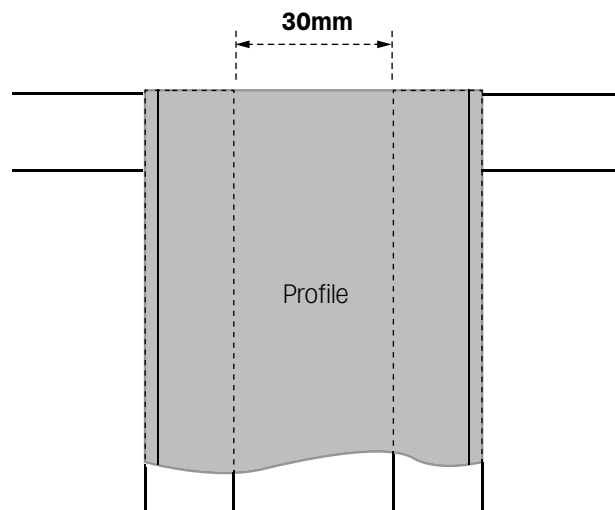
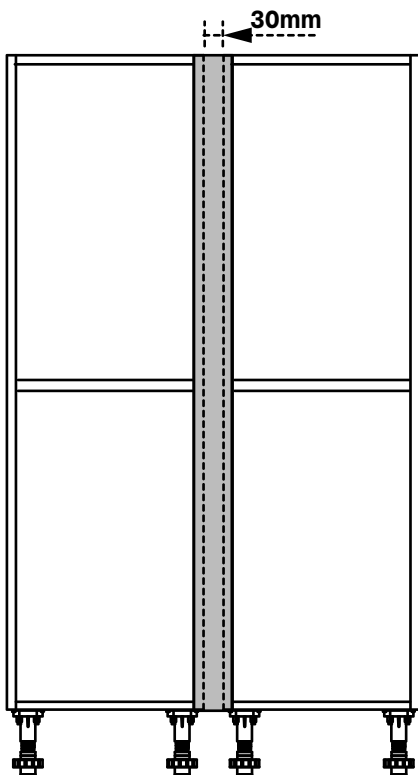
Note: Cabinet alignment should be made at the top front cut out.



Only cut the worktop and drawer profiles to length when you have measured and checked the correct lengths required. Profile, caps and corner return applications need to be taken into consideration.



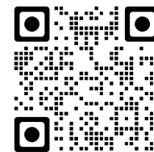
When setting out tower and larger cabinets, these require a 30mm space between them for the profile to be fitted.



Profiles should be flush with the top of the cabinets

Cabinet modification

Scan the QR code with your smart device to access a short installation video



Cabinets (base and larders) are factory prepared and should not require additional modification. However, should you need to modify a standard cabinet, follow the guide below for cutting the panels.

If using a HL cabinet for sink base application, please see page 26 for cabinet preparation.

Note: Jig and straight edges used should be clamped in place.

Base cabinets

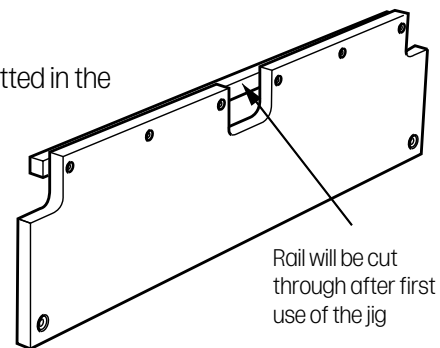
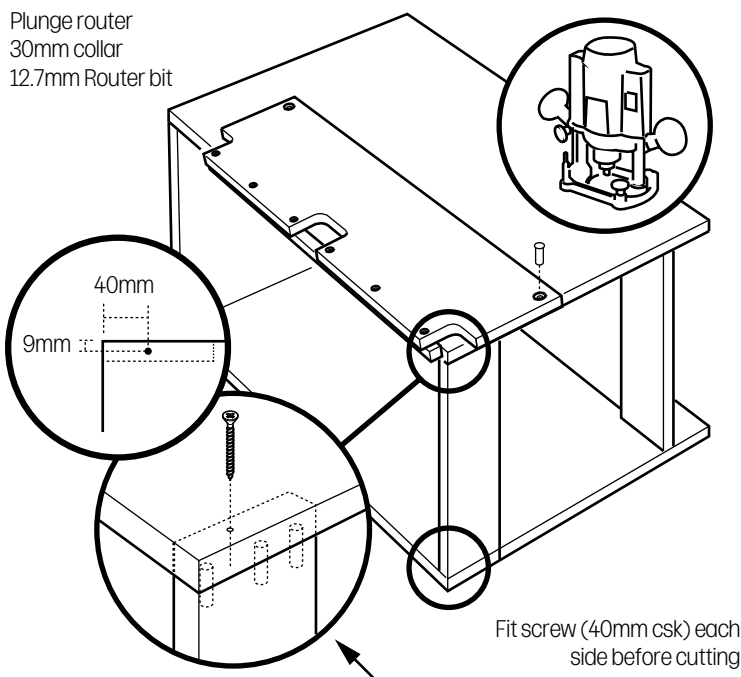
Fit the location peg to the top of the jig, then position the jig to the front of the cabinet.

Note: Due to the removal of a dowel position when routing, a screw will need to be fitted in the front rail (on both sides) before routing the cabinet sides and front rail.

Router the front edge of the cabinet as required, then the front of the top rail, using a straight edge to ensure a straight cut.

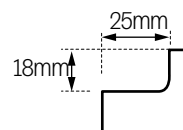
On double base cabinets (with centre rail) we recommend using a base cabinet L bracket for additional support of the centre post to the underside of the top rail.

Plunge router
30mm collar
12.7mm Router bit



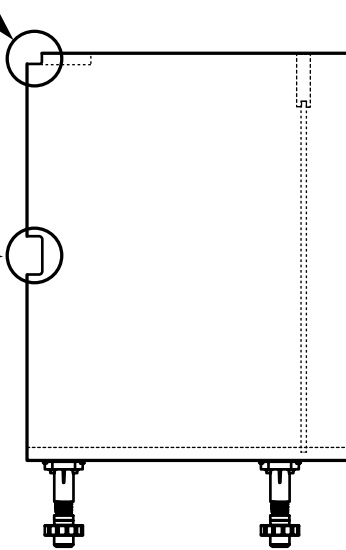
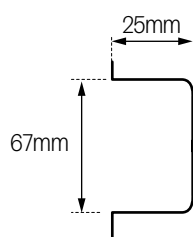
Worktop

All handleless base cabinets



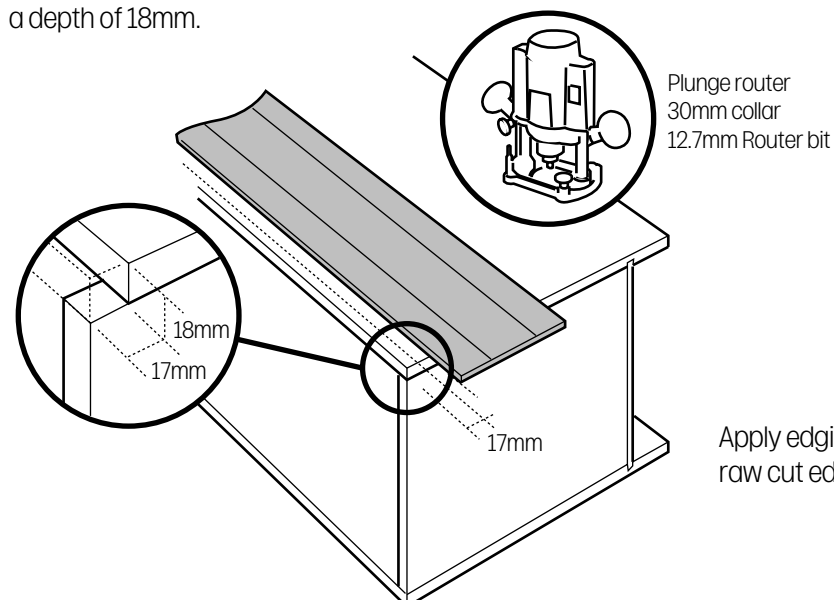
Drawer

Handleless drawer profile cabinets only



Tower cabinets

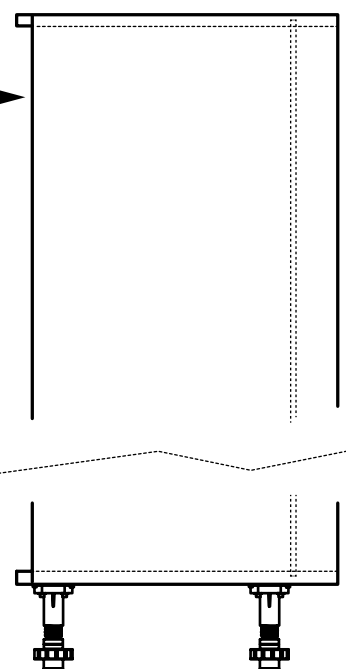
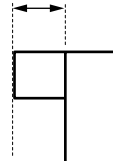
For tower cabinet modification, use a straight edge and router to remove 17mm of the front edge of the side panels. This should be to a depth of 18mm.



Tower

All handleless towers

17mm



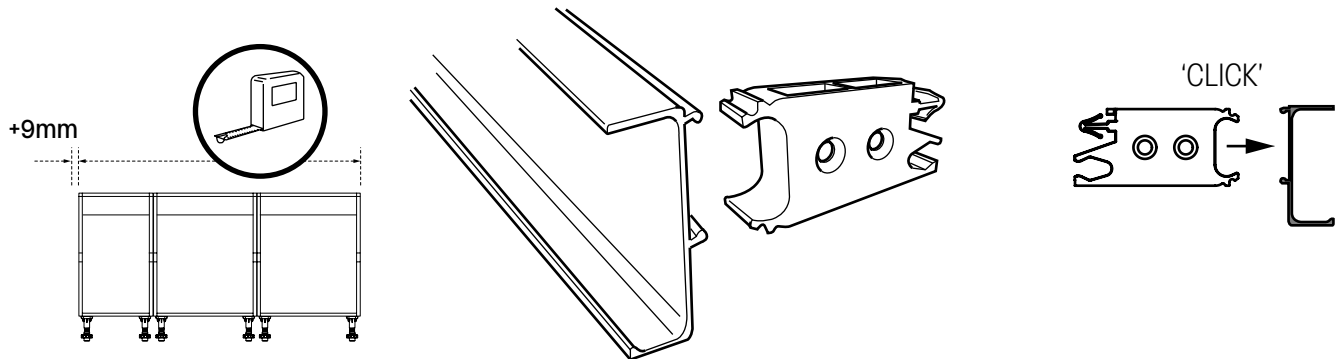
Worktop profile - Length 3000mm

Scan the QR code with your smart device to access a short installation video

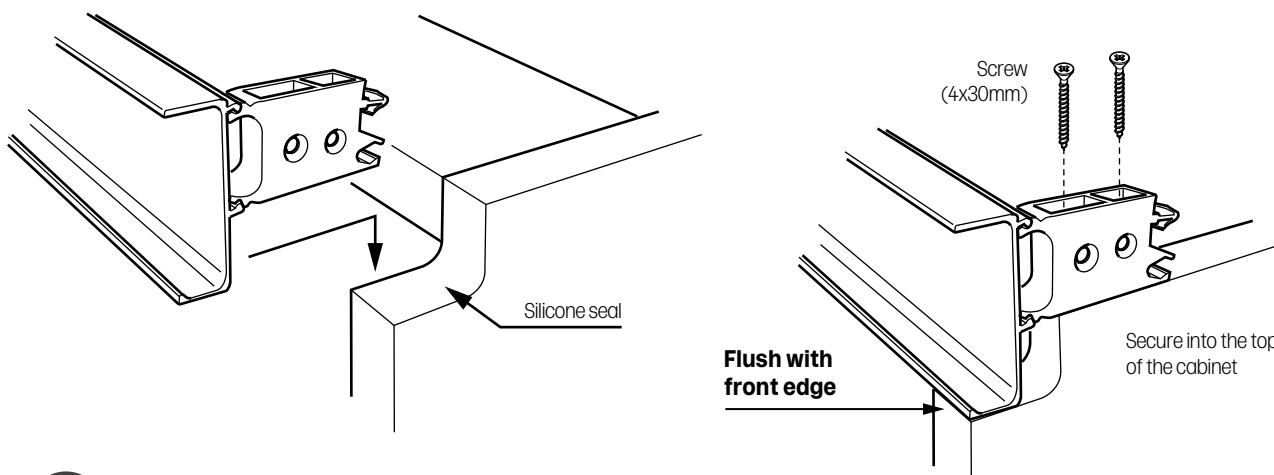


Follow the step-by-step guide for worktop profile application

- 1** Cut profile to length and fit the brackets to the approximate locations on the profile. End caps should be considered when cutting profiles, as these would reduce the profile length overall by 4mm if fitting each end (2mm each end).
Note: If planning an external corner return, the front worktop profile will require an additional 9mm added to the length. For internal corners, use the corner fillet to determine profile length (see page 17).



- 2** Position the profile to the top of the cabinets and align with the front edge. Move the brackets along the profile to their final locations (see below for position examples). Pilot drill the bracket locations and secure brackets to the cabinets using the screws provided.



- 3** Fit the worktop spacer rails.
Note: When returning a profile around the side of a cabinet, the spacer rails may need to move from the exact locations shown below.

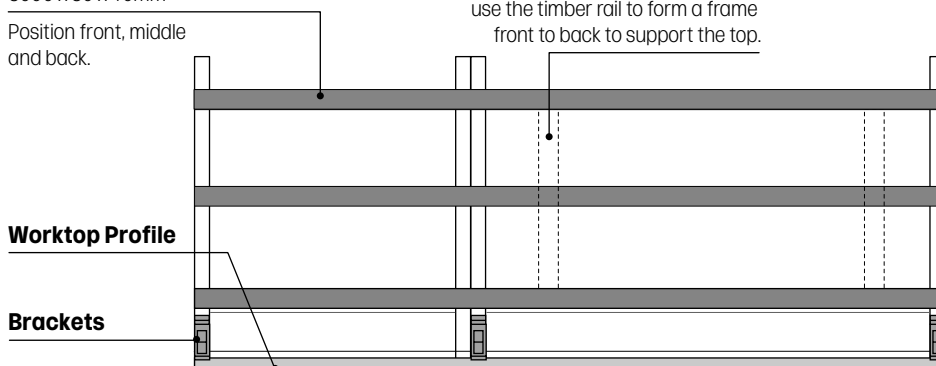
30mm Worktop Spacer Rail

RKC0070

3000 x 30 x 40mm

Position front, middle and back.

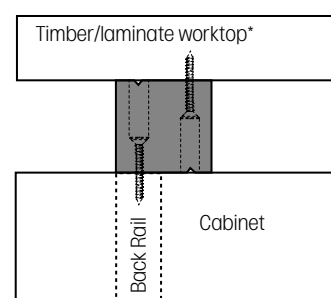
If fitting a sink or hob in a worktop, use the timber rail to form a frame front to back to support the top.



Space rails will require moving/cutting around some appliance applications.

We recommend that fixing brackets are positioned every 600mm.

Back worktop spacer rail fixing (Side view)



NOTE: When fitting a sink to the worktop, the back worktop spacer rail may require positioning to the wall. Cabinet front rail will require cutting in a sink application.

*Silicone should be used for Granite/Quartz tops

Drawer profile - Length 3000mm

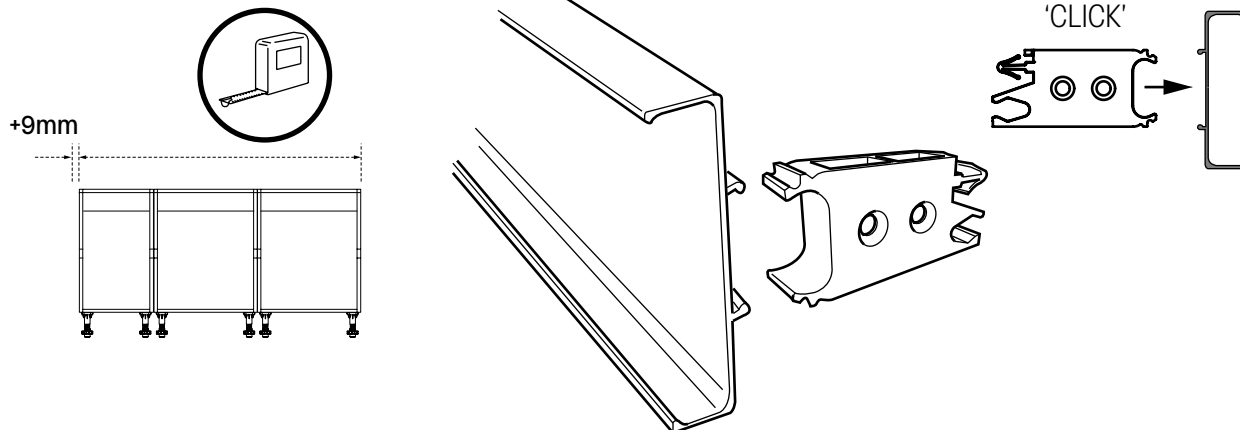
Scan the QR code with your smart device to access a short installation video



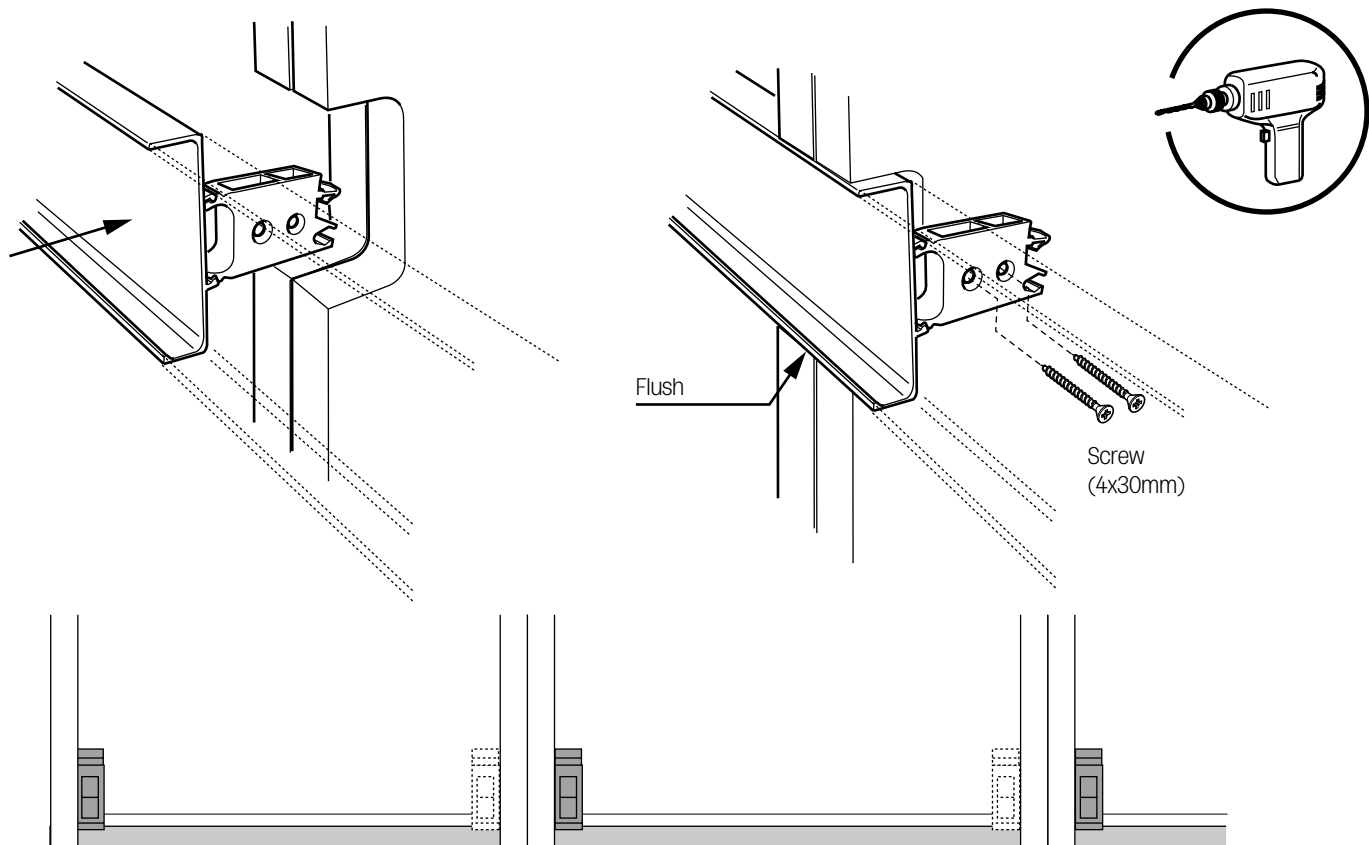
Follow the step-by-step guide for drawer profile application

- 1 Cut profile to length and fit the brackets to the approximate locations on the profile. End caps should be considered when cutting profiles, as these would reduce the profile length overall by 4mm if fitting each end (2mm each end).

Note: If planning an external corner return, the front drawer profile will require an additional 9mm added to the length. For internal corners, use the corner fillet to determine profile length (see page 17).



- 2 Position the profile to the cabinet cut out and align with the front edge. Move the brackets along the profile to their final locations against the cabinet side panels (see below for position examples). Pilot drill the bracket locations and secure brackets to the cabinets using the screws provided.



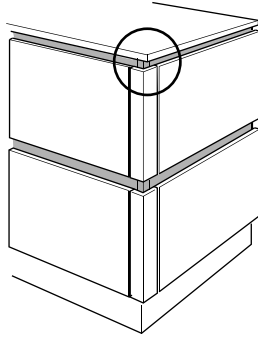
Brackets can be fitted to every side panel, but not required if being used in a run of cabinets.

Worktop profile corner return

Scan the QR code with your smart device to access a short installation video

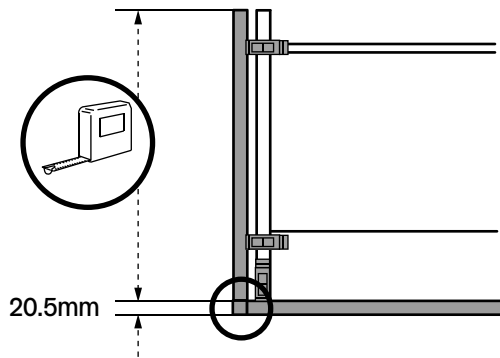


Follow the step-by-step guide for returning your worktop profile around the side of the cabinet

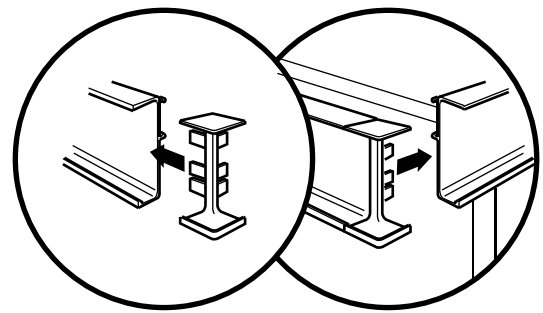


Note: Image shows side panels & corner posts. See pages 19 & 20 for side panel/post application.

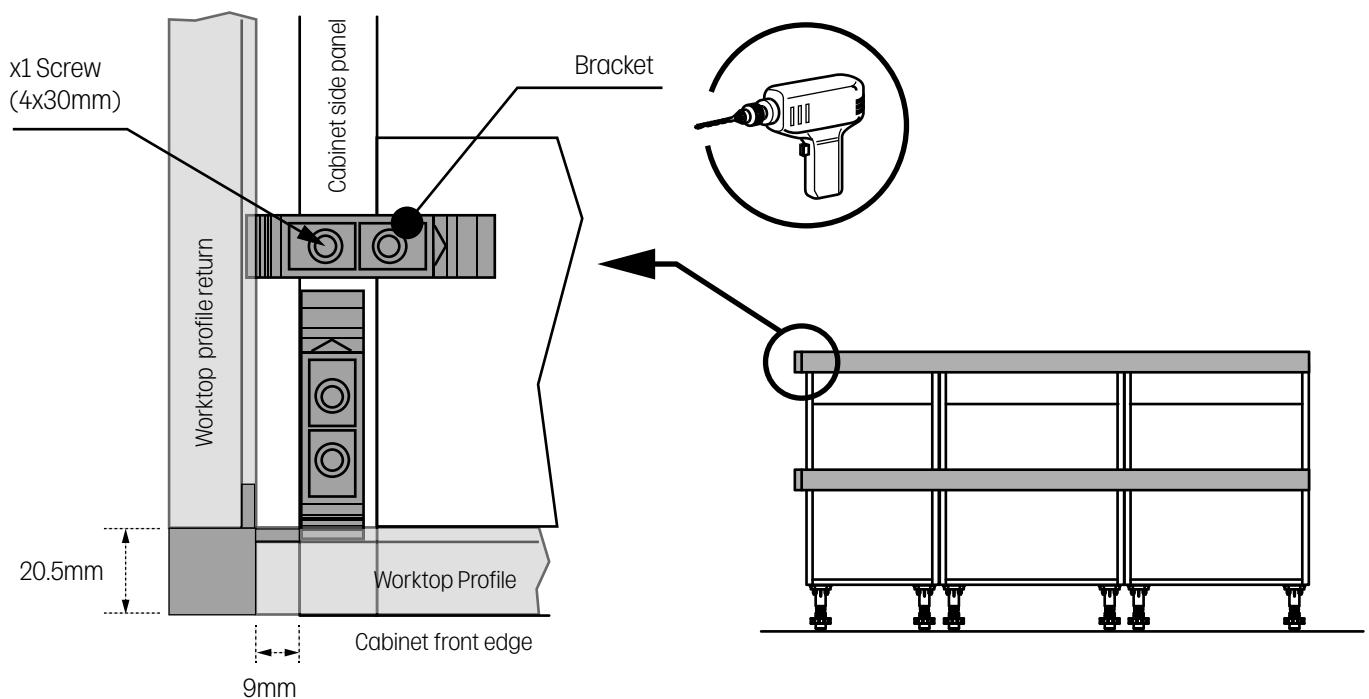
- 1** Measure and cut the return section of the worktop profile.
Note: Allow for the 20.5mm dimension of the corner piece. Fit brackets to profiles in the approximate positions.



- 2** Fit the corner piece to the front end of the return profile then position to the side of the cabinet, connecting the corner piece into the front profile.



- 3** Move the brackets along the profile to their final locations (see above for position examples). Pilot drill the bracket locations and secure brackets to the cabinets using screws provided.

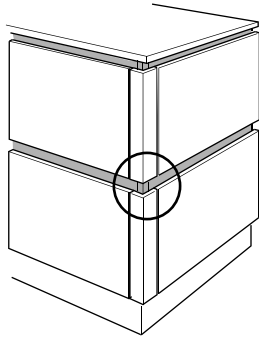


Drawer profile corner return

Scan the QR code with your smart device to access a short installation video



Follow the step-by-step guide for returning your drawer profile around the side of the cabinet

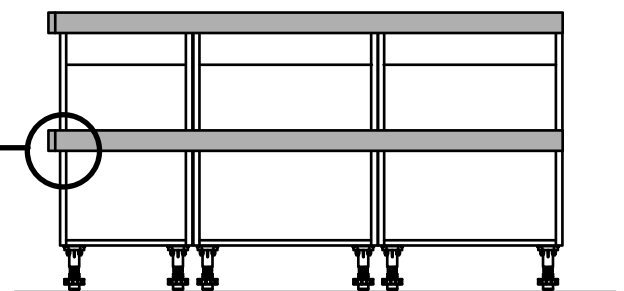
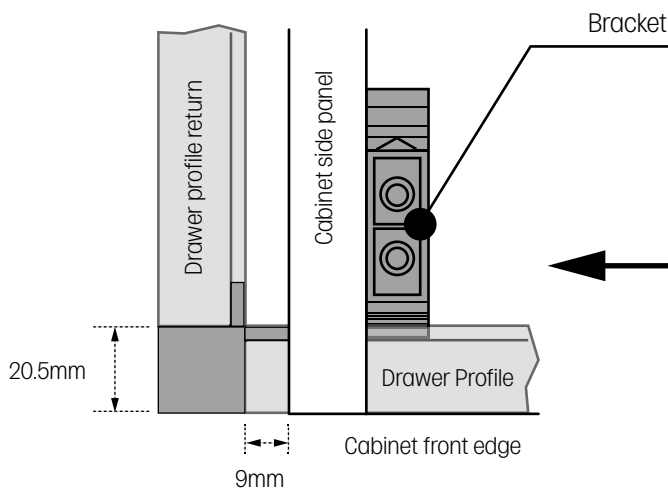
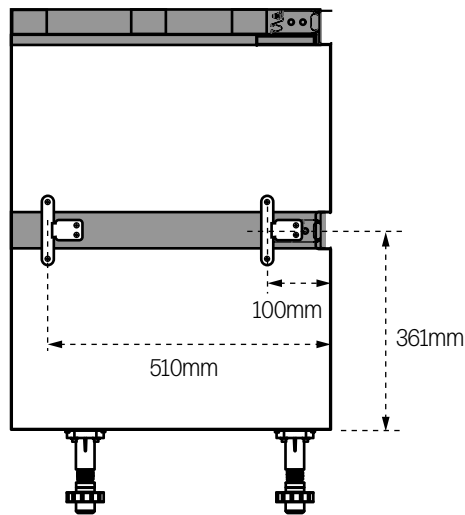
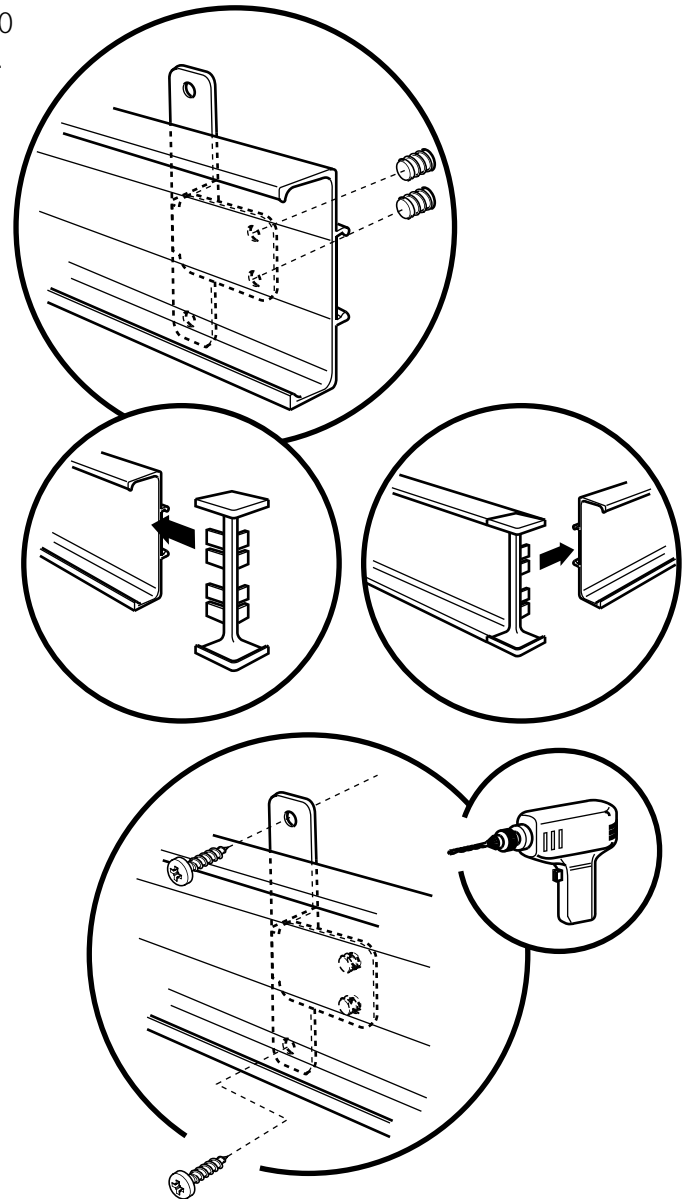


- 1** Measure and cut the return section of the drawer profile.
Note: Allow for the 20.5mm dimension of the corner piece.

Note: Image shows side panels & corner posts. See pages 19 & 20 for side panel/post application.

- 2** Fit the drawer profile brackets to the back of the profile in the positions shown. Use screws to secure.

- 3** Fit the corner piece to the front end of the return profile. Level profile and fit the brackets to cabinets using the screws to secure.
Note: Dimensions shown are for guidance for bracket positions.



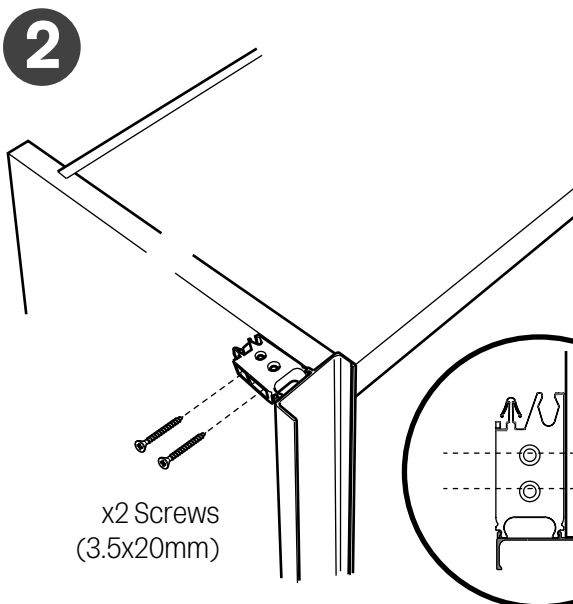
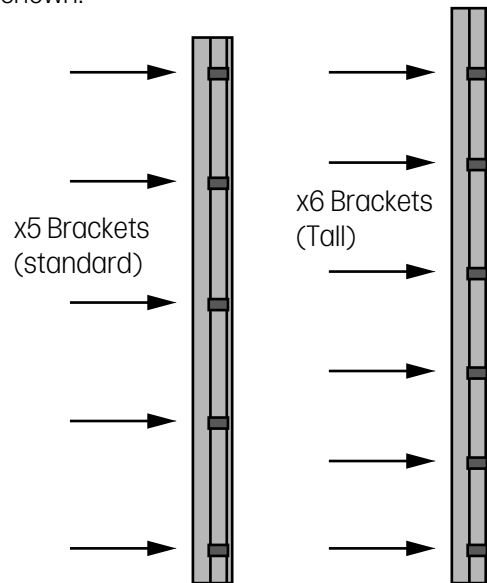
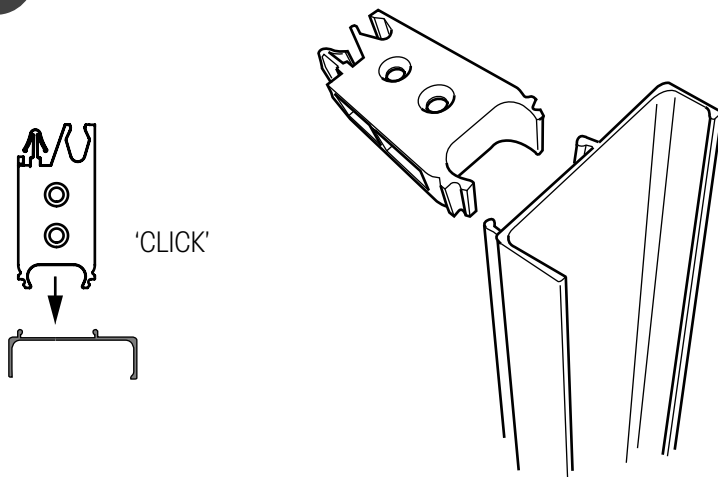
End tower profile - 1942 and 2122mm

Scan the QR code with your smart device to access a short installation video

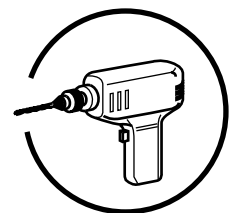


Follow the step-by-step guide for end tower profile application

1 Fit the brackets to the approximate locations on the profile as shown.

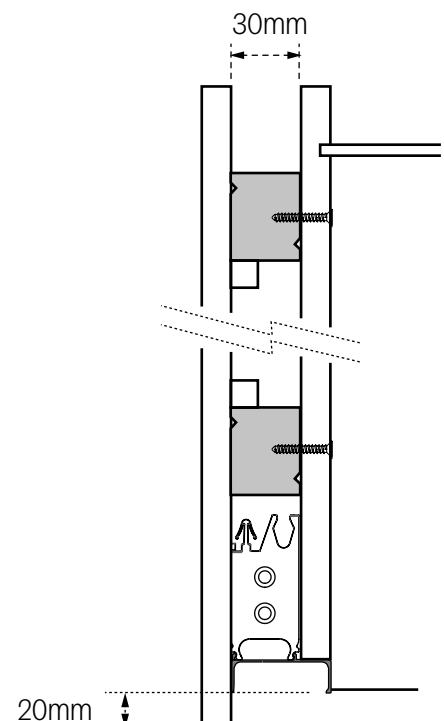
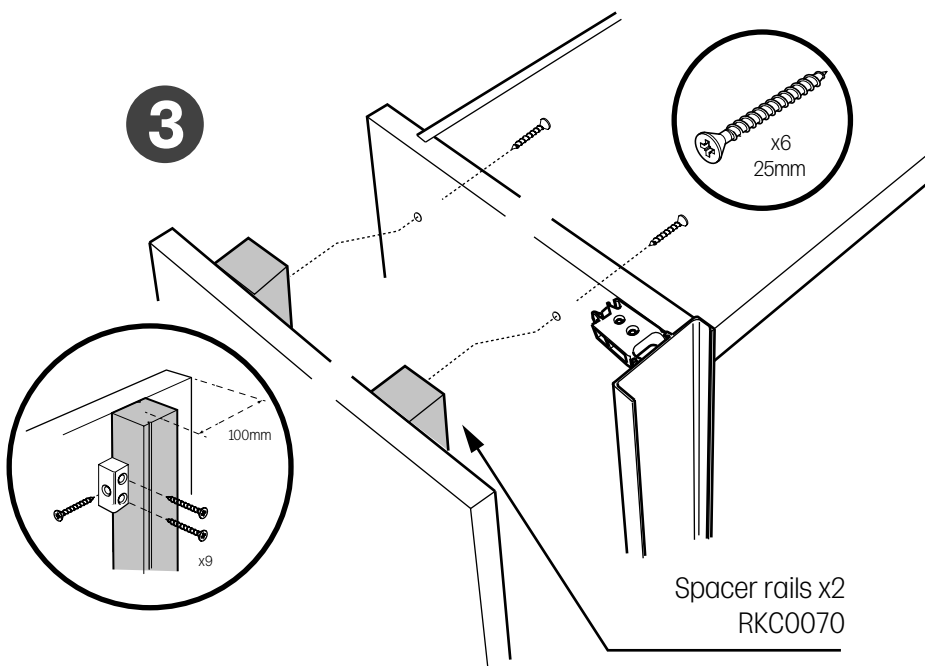


Fit the profile to the side of the tower. Pilot drill the fixing holes and secure brackets to the side using the screws provided.



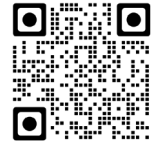
Fit two spacer rails to the adjoining decor end, using screws and fixing blocks to secure. Position the decor end to the side of the tower. Pilot drill fixing holes and secure the decor end panel through the cabinet and into the spacer rails.

Note: Ensure decor end is stepped forward by 20mm to allow for door alignment.



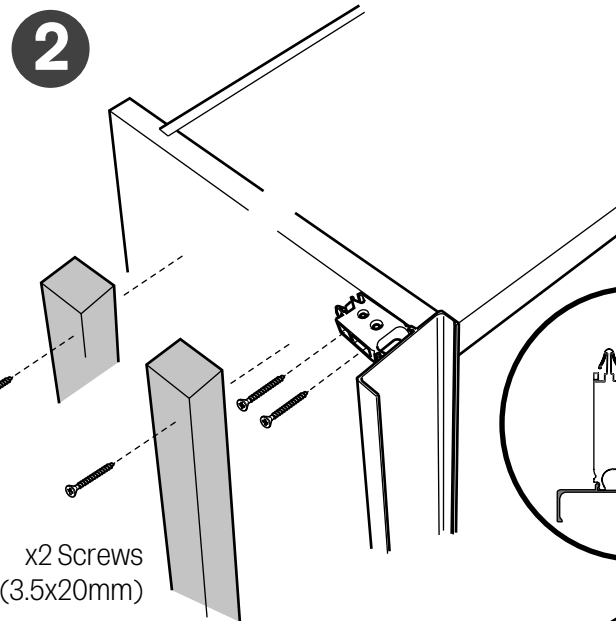
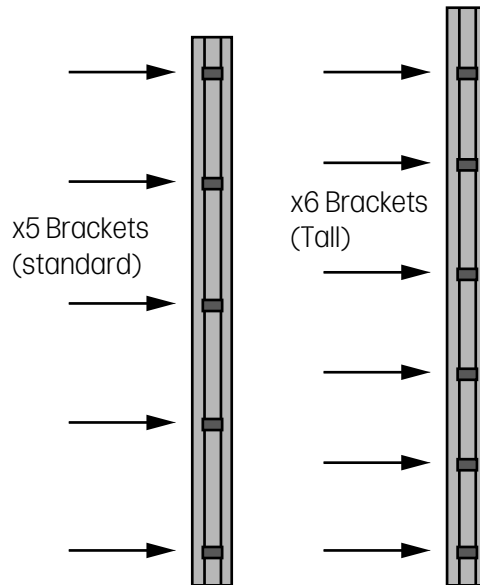
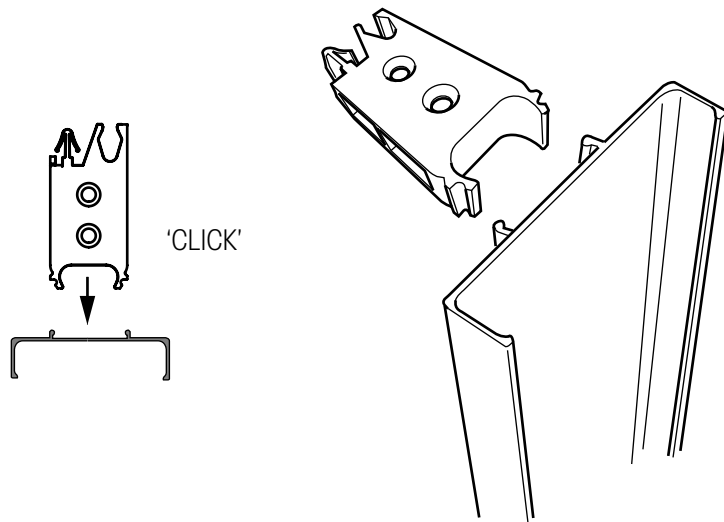
Mid tower profile - 1942 and 2122mm

Scan the QR code with your smart device to access a short installation video

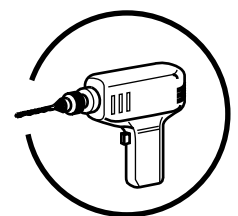


Follow the step-by-step guide for mid tower profile application

1 Fit the brackets to the approximate locations on the profile as shown.



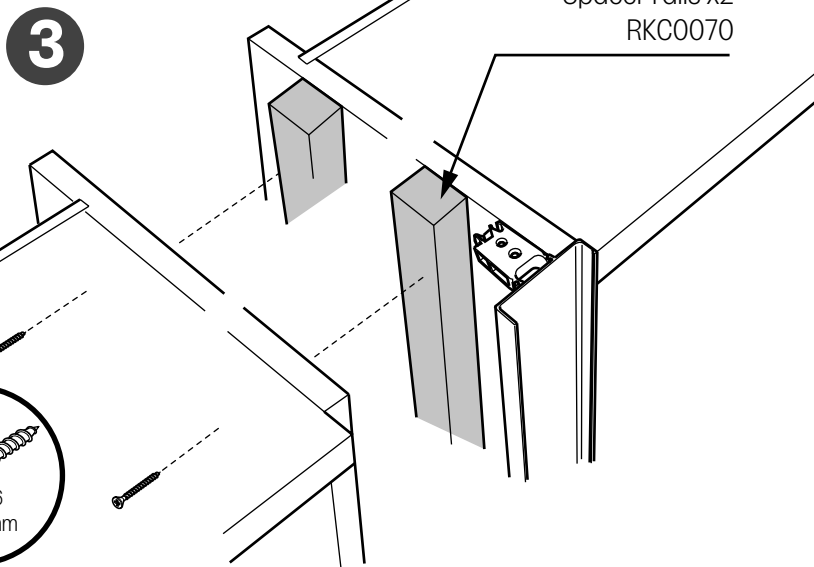
Fit the profile to the side of the tower. Pilot drill the fixing holes and secure brackets to the side using the screws provided.



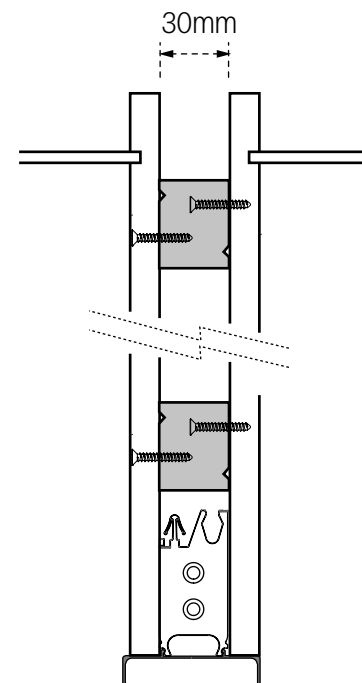
Fit two spacer rails to the side of the tower and secure using screws (pilot drill fixing holes). Fit the adjoining tower and pilot drill fixing holes. Secure through the cabinet and into the spacer rails.

x2 Screws (3.5x20mm)

Spacer rails x2 RKC0070



x6 25mm



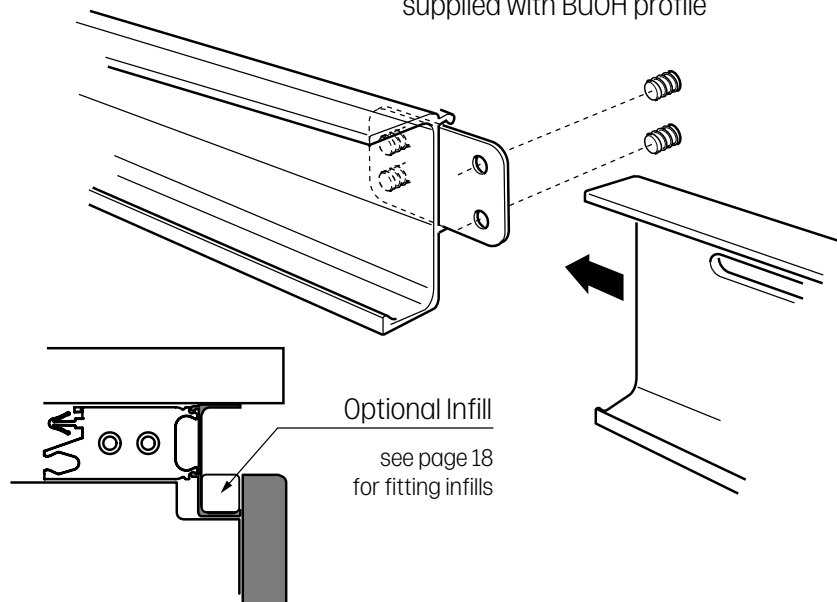
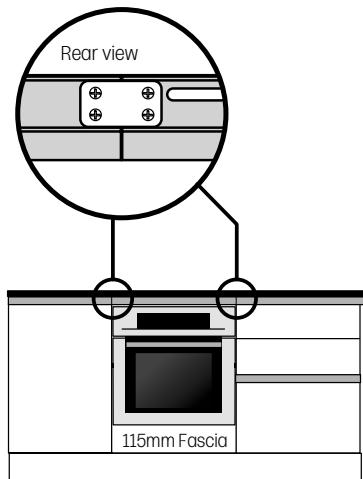
BUOH profile - 600mm

Scan the QR code with your smart device to access a short installation video



On a standard built under oven housing installation, a specific profile which has slots for venting is required. This profile should be secured to the adjacent profiles in the run using the profile joint connector. Secure using the connector screws provided.

Note: Jointing plate (x2) and screws (x8) supplied with BUOH profile

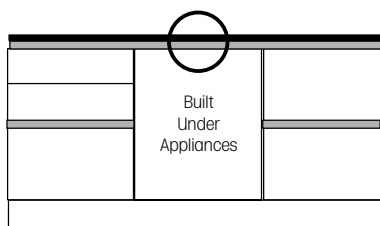


Built under appliances

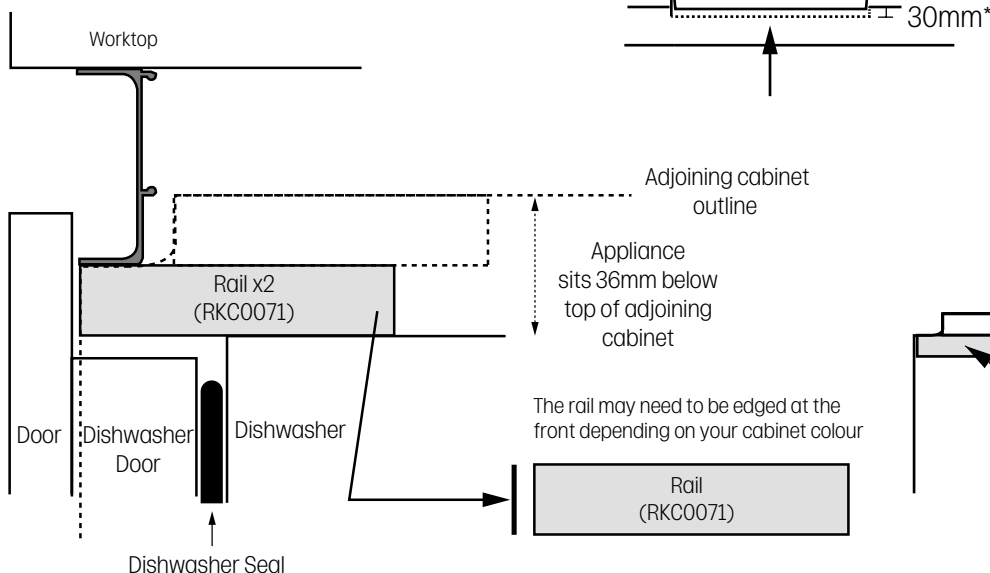
Built under appliances require a rail (RKC0071) to secure the appliance under the worktop

Dishwashers and built under fridge/freezers use the worktop profile above them.

NOTE: Rails (RKC0071) are required to be fitted in these built under appliance applications to enable the appliance to be secured at the top and to help avoid appliance tilting.



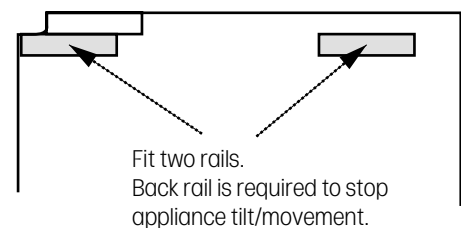
Side view of dishwasher application



Because the appliance has been lowered, the plinth may need to be cut to allow free movement of a dishwasher door in some applications. The plinth will need to be cut in all fridge or freezer applications by 30mm*.

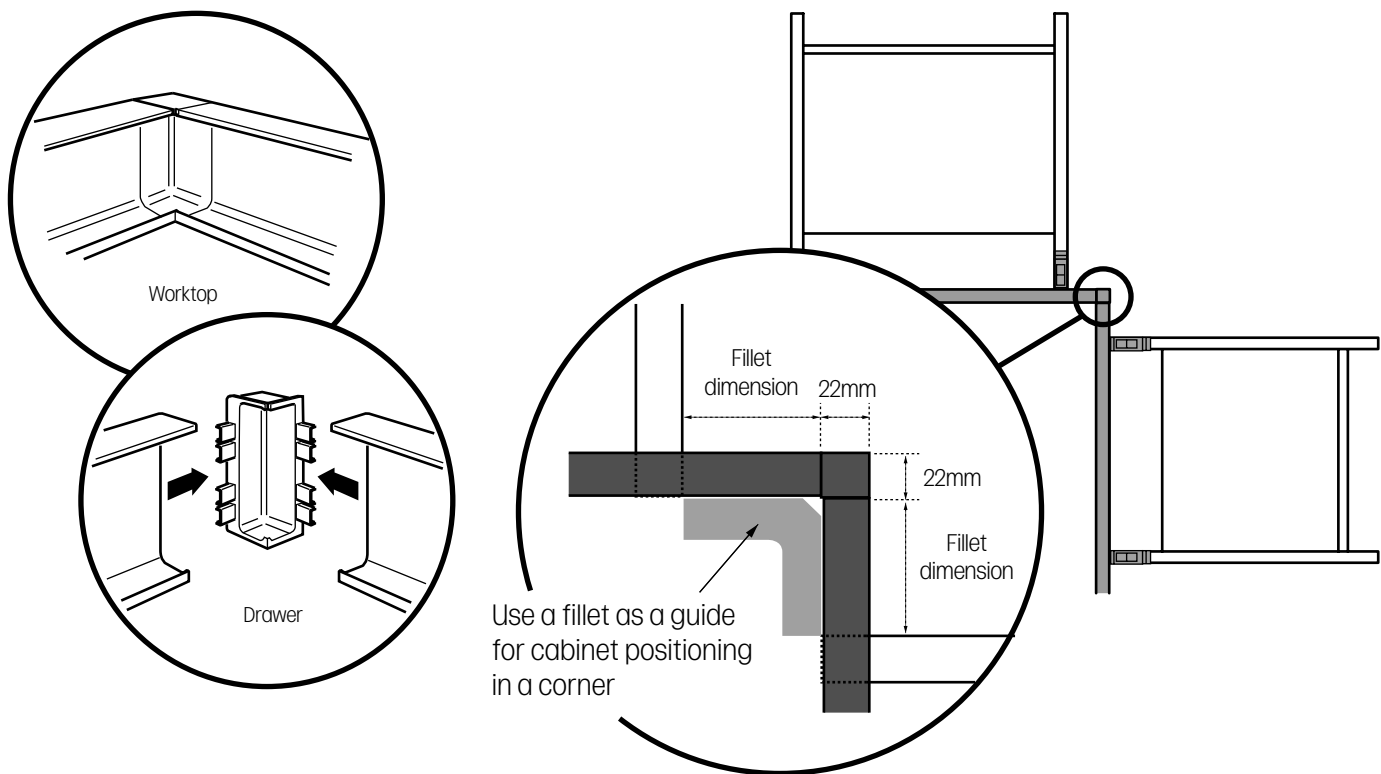
Note: Iron on edging should be used for the exposed raw edges of the plinth.

*Based on Lamona product applications, may differ for other manufacturers appliances.



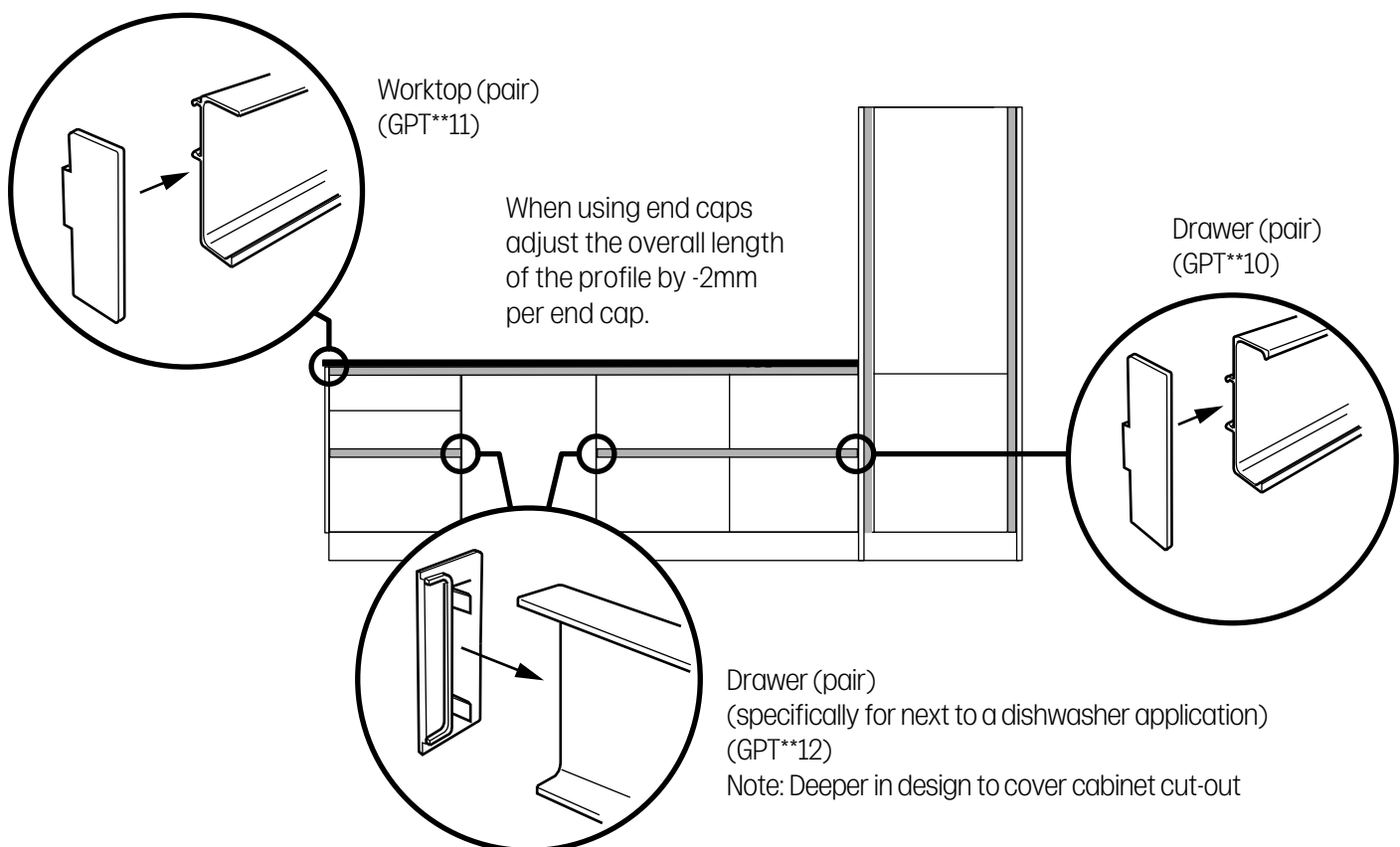
Internal corner piece

Cut the profiles to the required length and use the internal corner pieces to join.



End caps

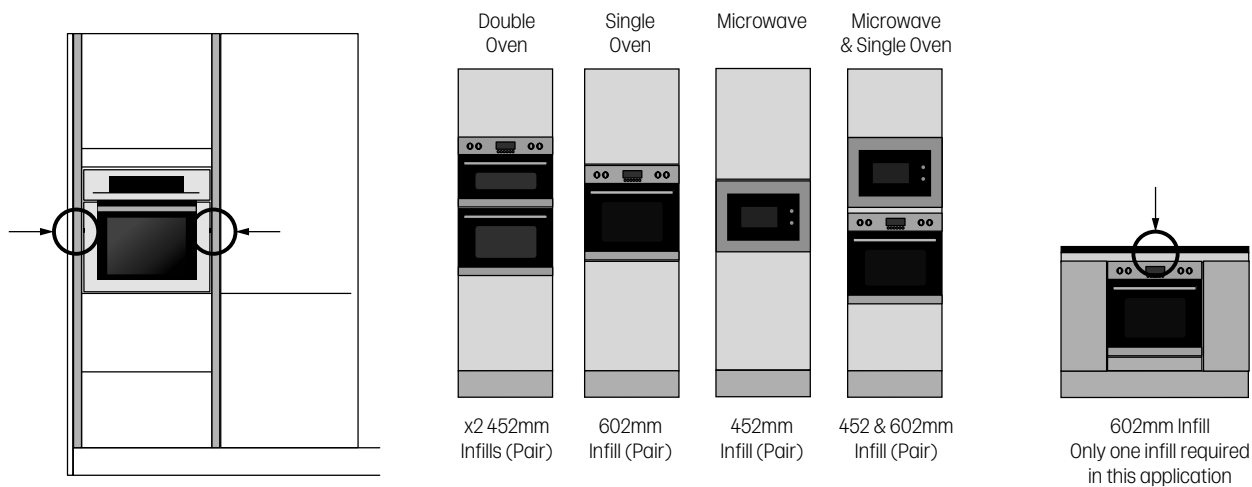
Fit the caps to the ends of the profiles and clip into place.



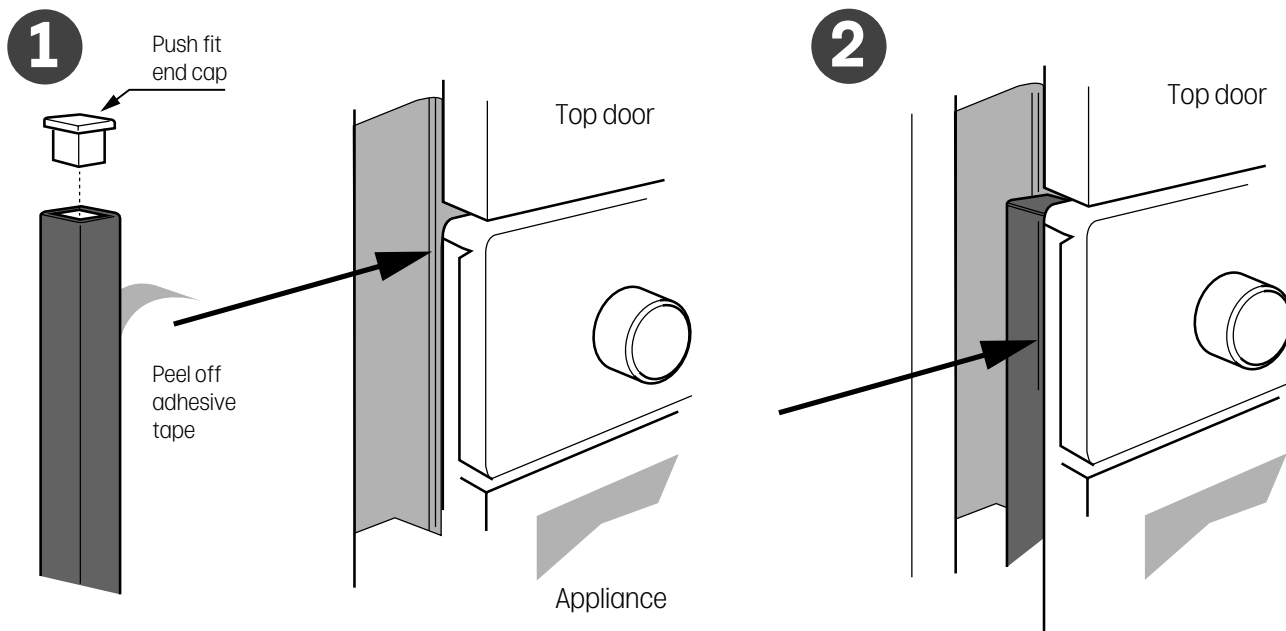
Appliance infill application - 452mm and 602mm

Once the tower appliance has been fitted, position an infill section behind each side edge. Infills are provided in two lengths depending on your appliance (452mm and 602mm). These infills are compatible in the configurations shown below.

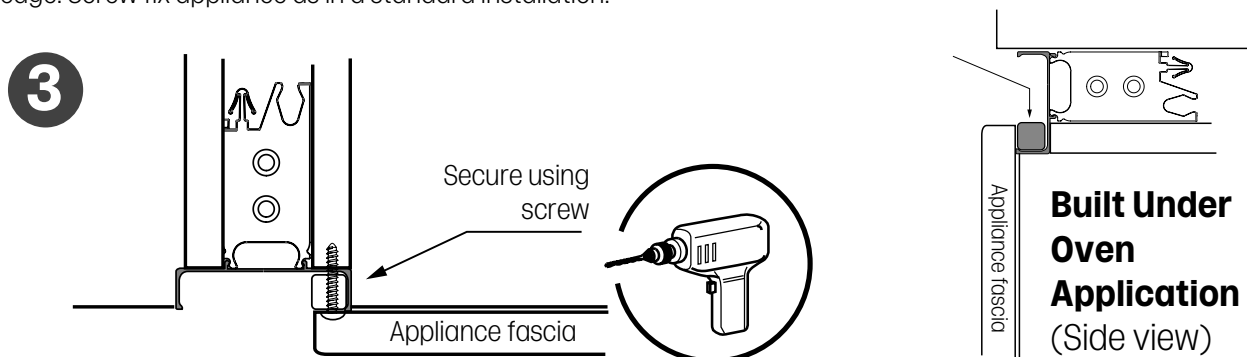
Note: Other configurations can be achieved by cutting down and using x2 infills where required. Infills are supplied as a pair.



Cut the infill to the required length (if required). Use the caps provided to fit onto the ends to cover any exposed edges. Remove the adhesive strip and secure behind the appliance fascia, pushing the infill onto the profile to secure.



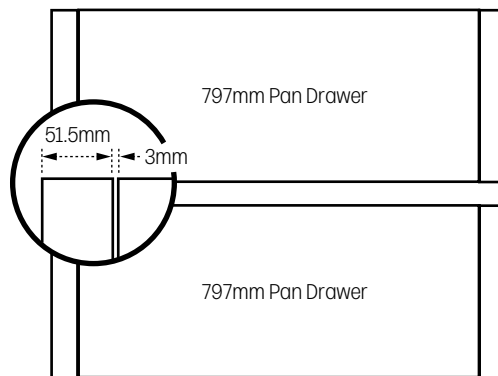
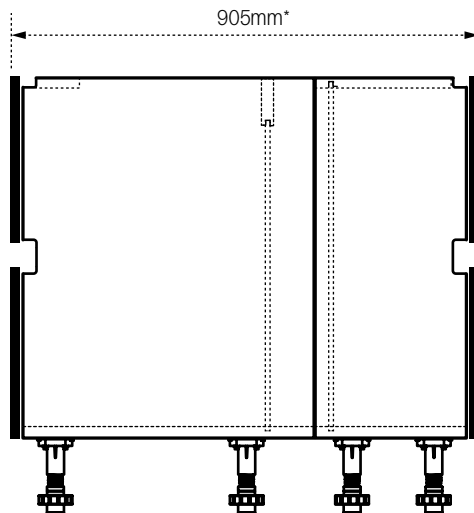
Once in place, secure the appliance to the tower. Pilot drill the holes through the appliance and aluminium infill and into the profile and cabinet edge. Screw fix appliance as in a standard installation.



Island applications

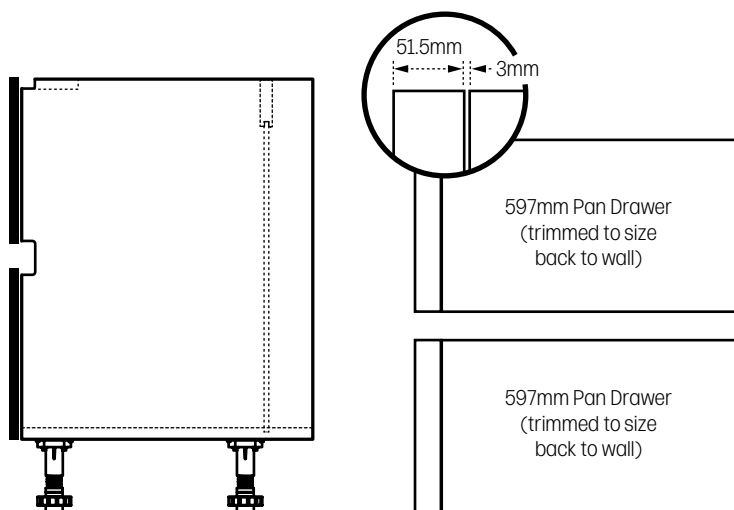
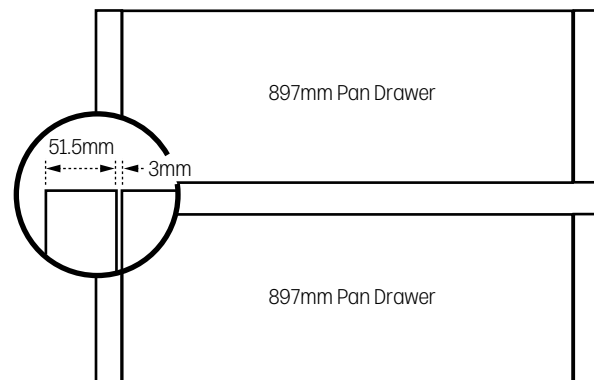
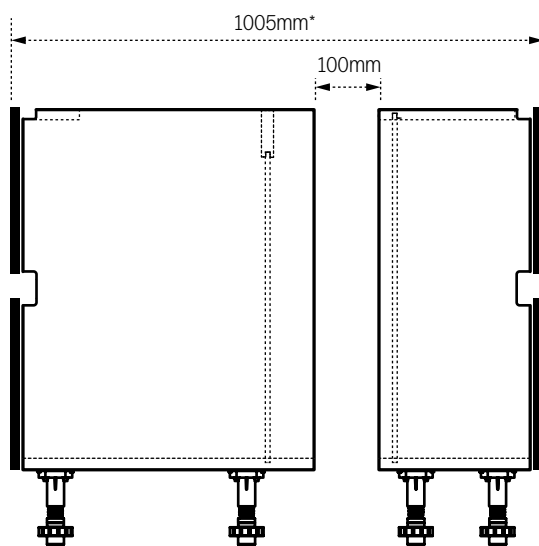
Below are some examples of set island size applications which can be achieved using standard pan drawer widths.

***Note:** Dimensions based on using an 18mm frontal with 2mm door bumpers.
For thicker frontals, increase the overall dimension accordingly. Decor ends can also be used to achieve an end application.



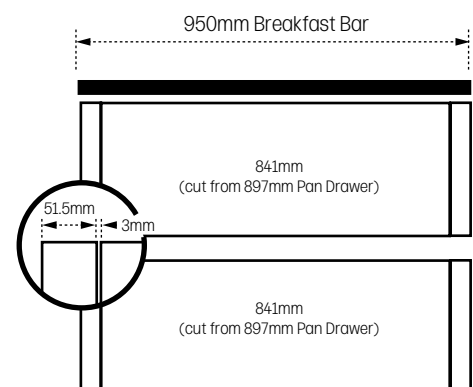
Cabinets would require spacing apart by 100mm to achieve a larger island in this application.

Note: Worktop join also required.



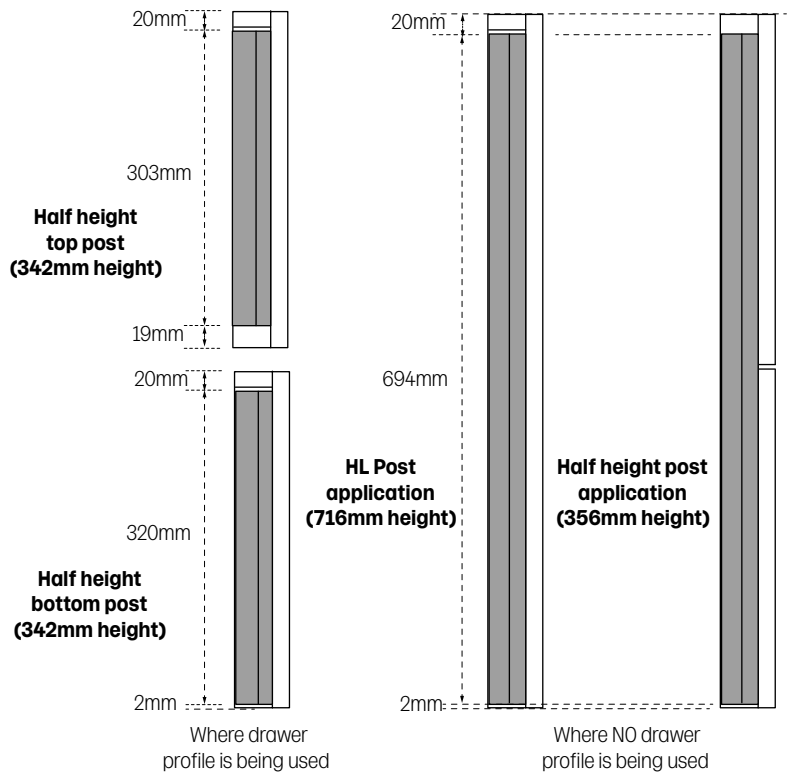
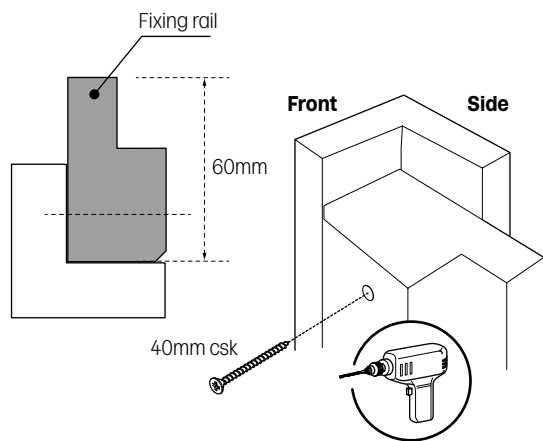
950 Breakfast Bar

If using a breakfast bar at full width, the end panels used will need to be trimmed and edged to 841mm as shown below

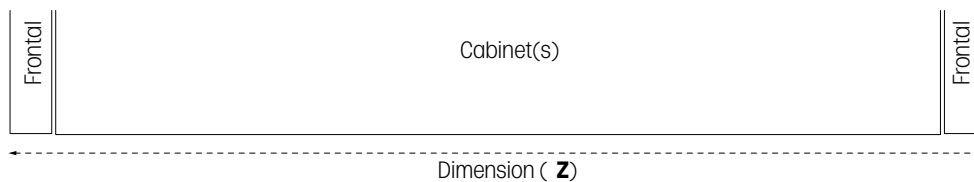


External corner post

Cut the fixing rails to the dimensions shown. Fit the fixing rails to the post(s), using 40mm screws to secure.



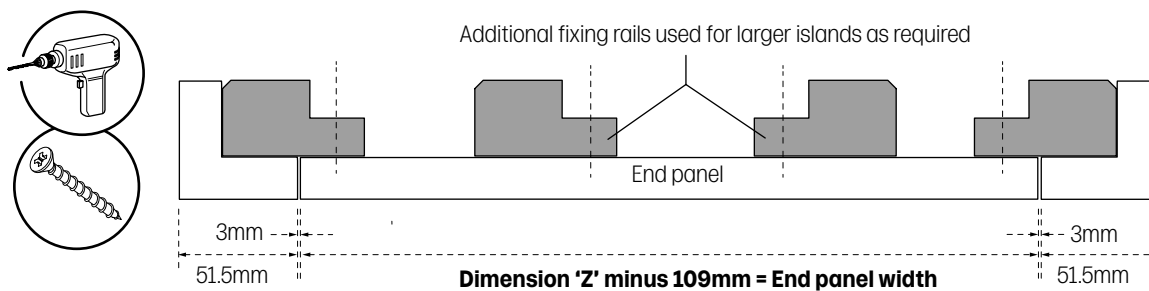
For island applications where specific depths are required, follow the methodology below for working out the size of the end /corner post panel assembly.



Assemble the end panel/external corner posts, making sure measurements are checked before cutting panels. To secure the end panels to the external corner post use 30mm screws to secure through the fixing rails.

Note: Make sure the decor end panel profile aligns with the corner fillet profile.

Fit additional fixing rails to the back of the end panel securing with 40mm screws. Only one fixing rail may be required.



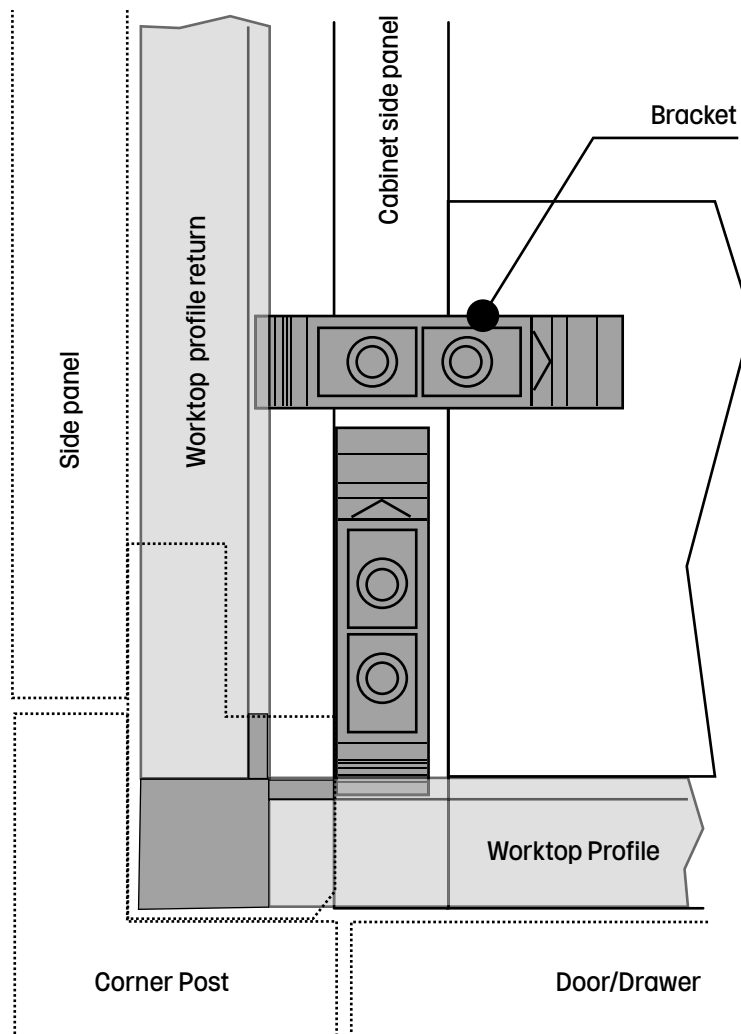
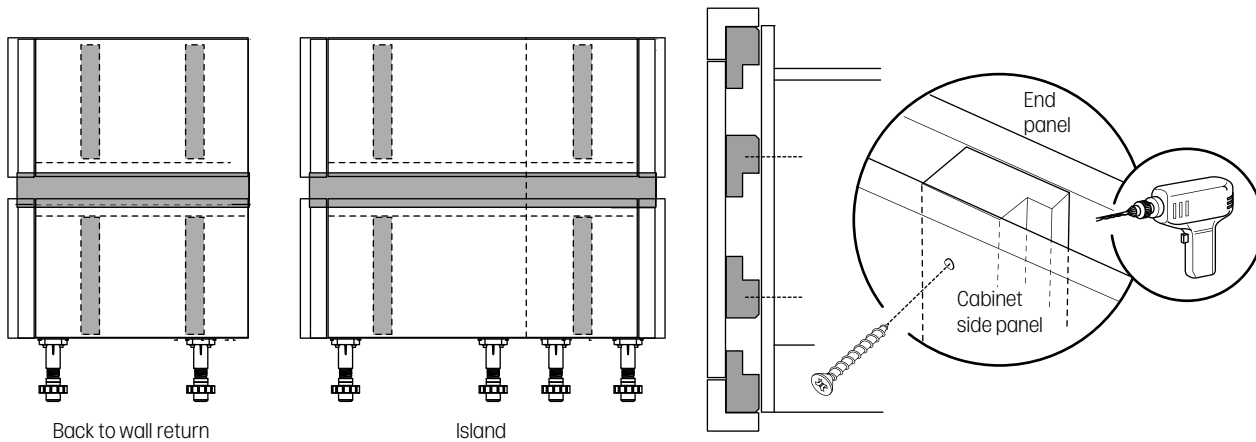
Measure the cabinet side to find dimension 'Z'.

Minus 109mm from this dimension (this is the corner post dimension 51.5mm x2, +6mm for spacing). This dimension is the width of your end panel. Note: Typically the end panel will be a half height frontal, cut and re-edged to the required width.

External corner post

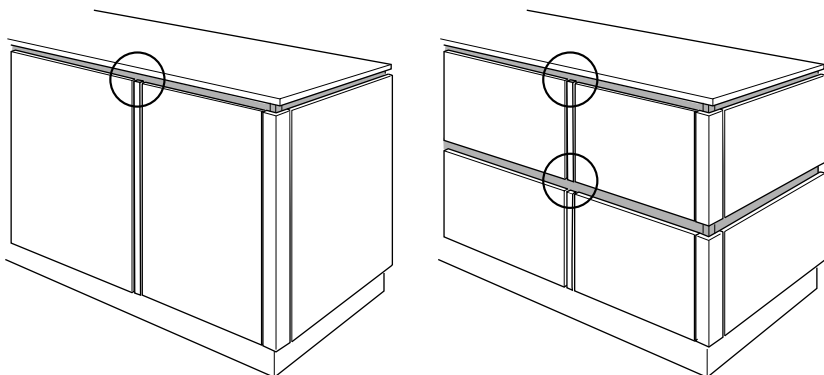
Fit the end panel/external corner post assembly to the top and bottom of the cabinet side panels. Secure from the inside of the cabinet using 30mm screws. Drawers will need to be opened to secure the end assembly.

Note: We recommend that drawers/frontals are fitted to the cabinets before fitting the side panels to ensure alignment.

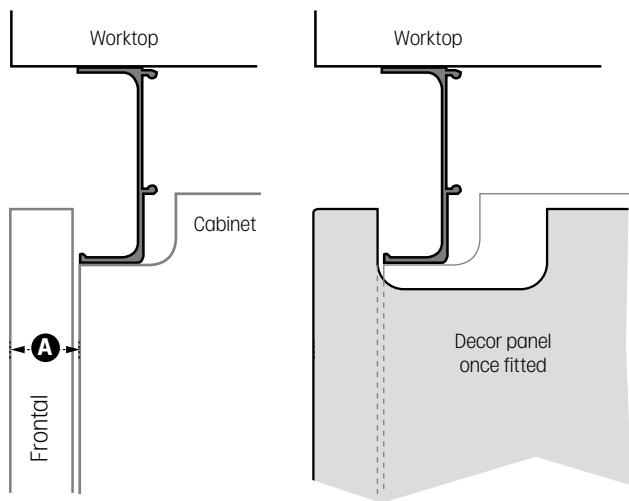


Base decor panel - cutting application

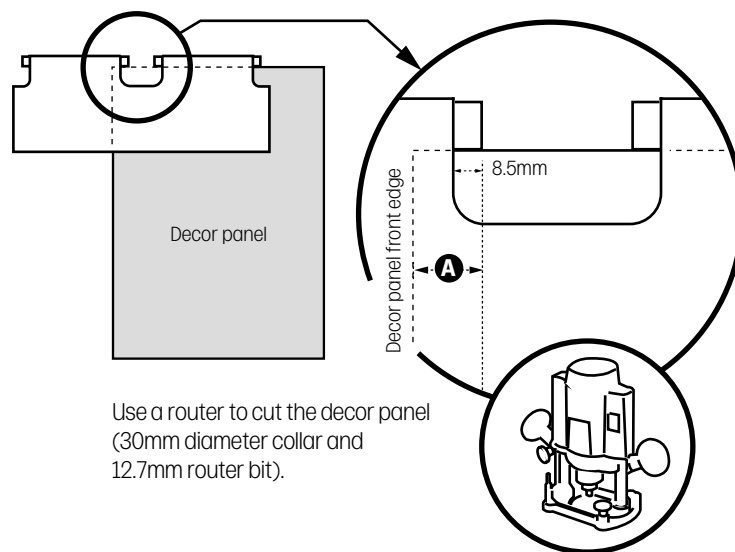
Follow the step-by-step guide for using a decor panel in the middle of a run of cabinets



1 Establish the position of the front edge of the decor panel so when fitted it will align with the frontal.

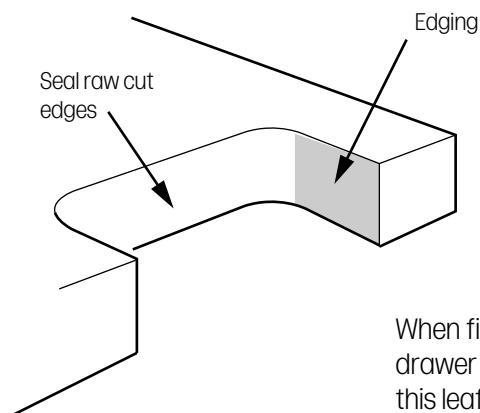


2 Position the handleless jig onto the top of the decor panel, using the drawer profile notch. **Note:** Jig will require clamping to the panel as jig pegs cannot be used in this application.



Use a router to cut the decor panel (30mm diameter collar and 12.7mm router bit).

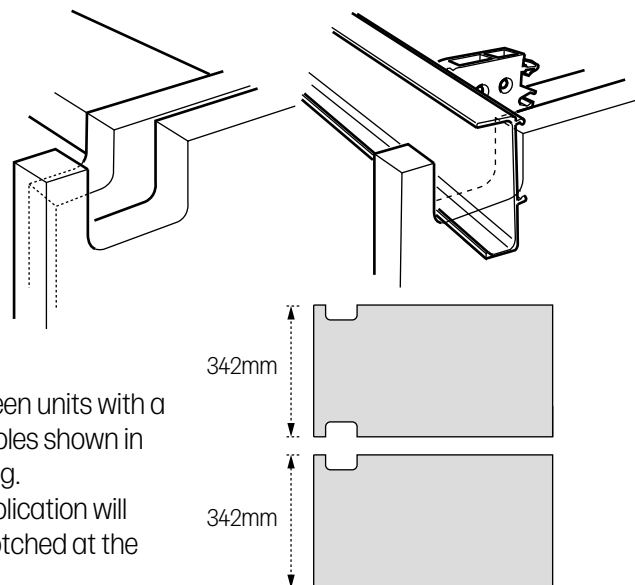
3 Finish the back of the cut decor panel notch using edging as required. **Note:** We recommend any raw edges are sealed using a silicone sealant.



When fitting a decor end between units with a drawer profile, the same principles shown in this leaflet will apply using the jig.

Note: The decor end in this application will need to be two sections and notched at the top and bottom as shown.

4 Fit the decor end to the cabinet run following the handleless installation manual.



Drawer application

If you are not installing a handleless drawer profile, please refer to the main kitchen installation manual for all runner fixing positions and standard frontal configurations.

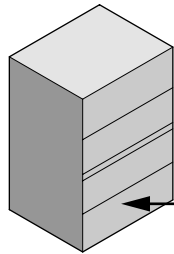
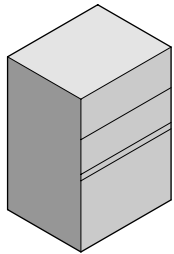
Note: Follow the kitchen installation manual for drawer box assembly information.

Drawer runner installation

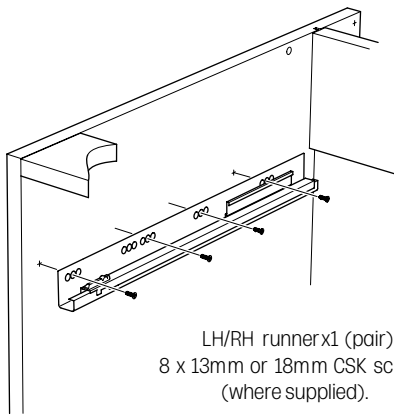
NOTE: Push to open drawer kits are only compatible with upgrade anthracite drawer boxes.

3 Drawer

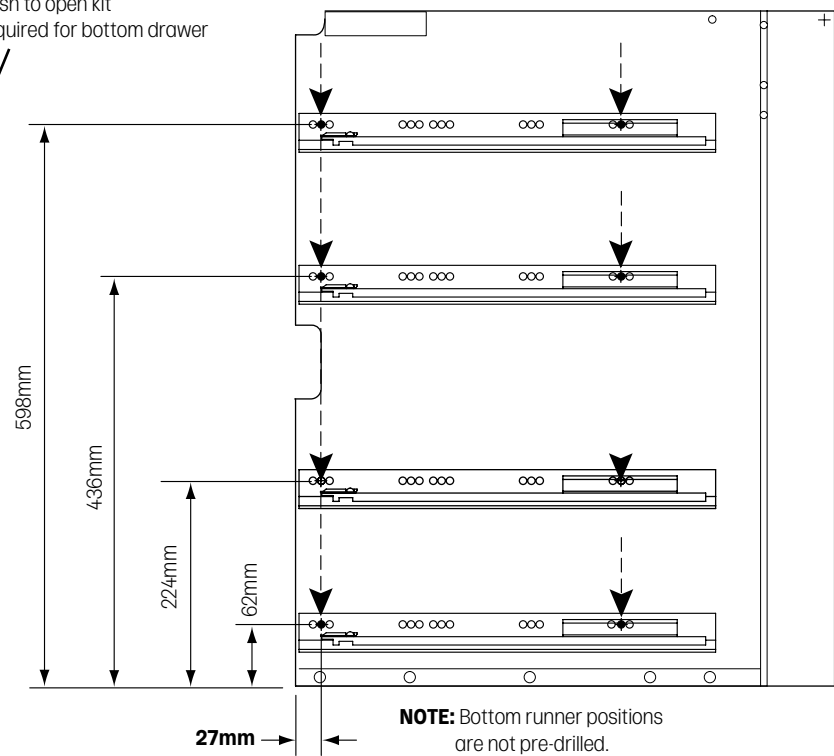
4 Drawer



Push to open kit required for bottom drawer

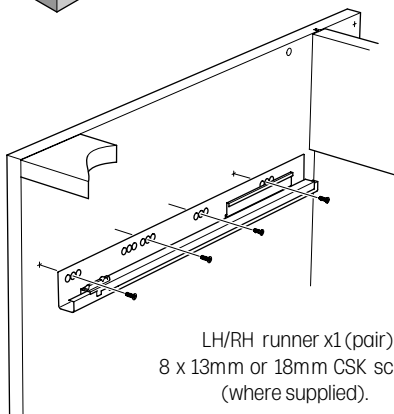
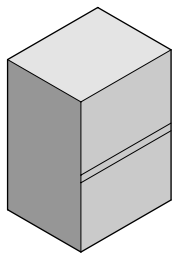


LH/RH runner x1 (pair)
8 x 13mm or 18mm CSK screws,
(where supplied).

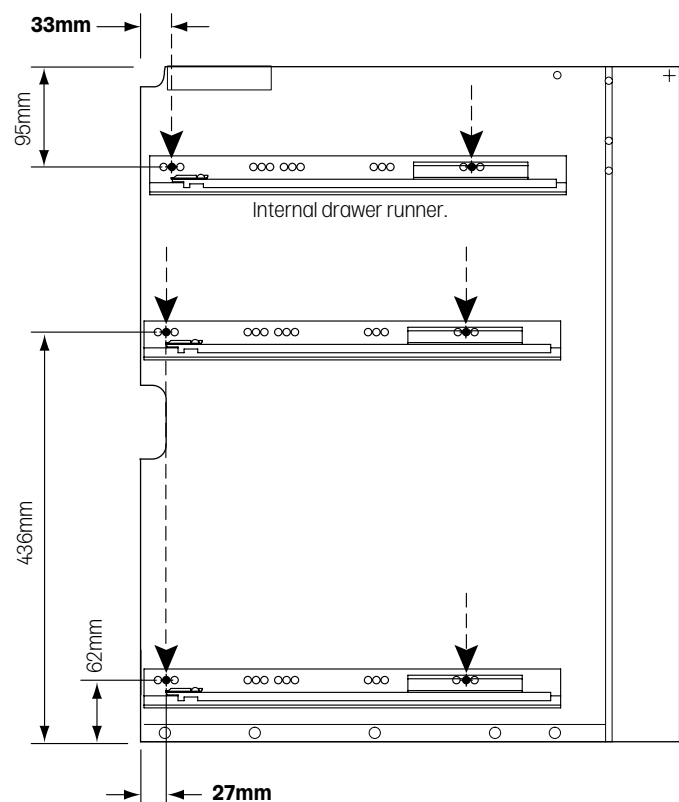


NOTE: Bottom runner positions are not pre-drilled.

2 Drawer



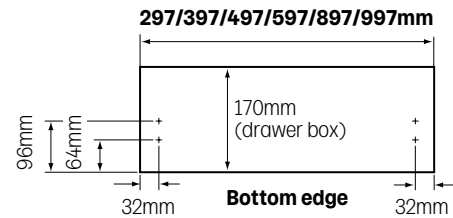
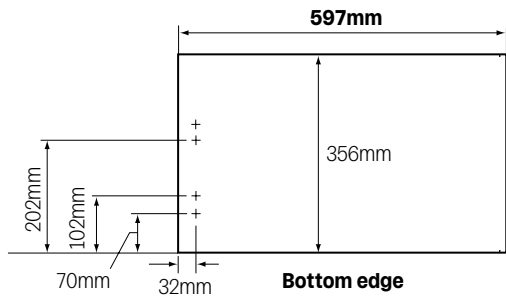
LH/RH runner x1 (pair)
8 x 13mm or 18mm CSK screws,
(where supplied).



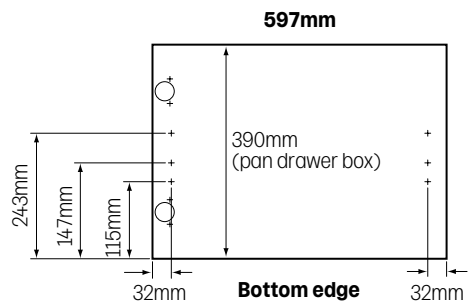
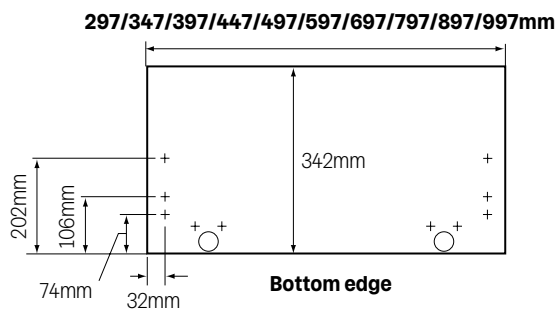
Internal drawer runner.

Drawer application

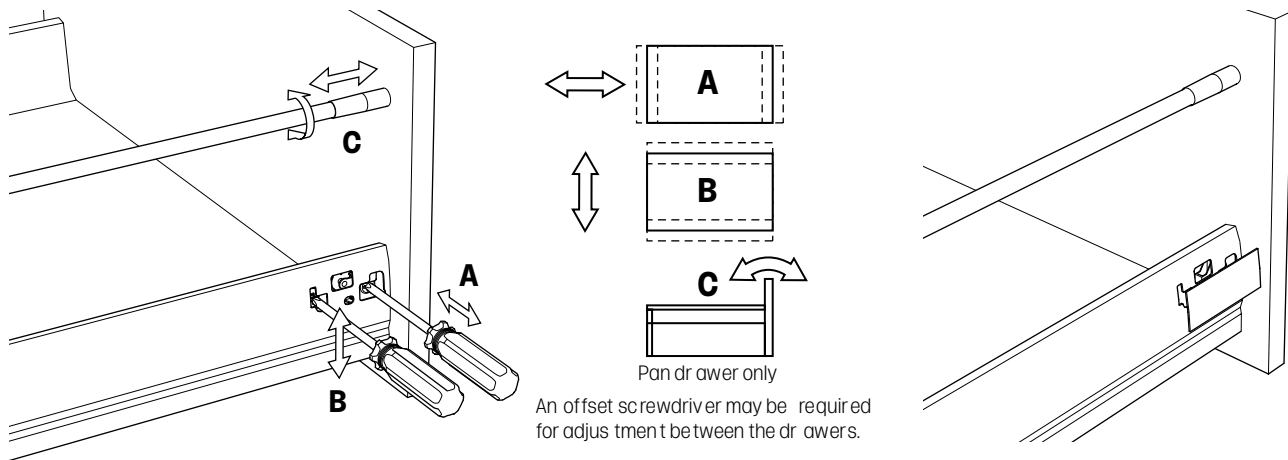
Drawer fronts



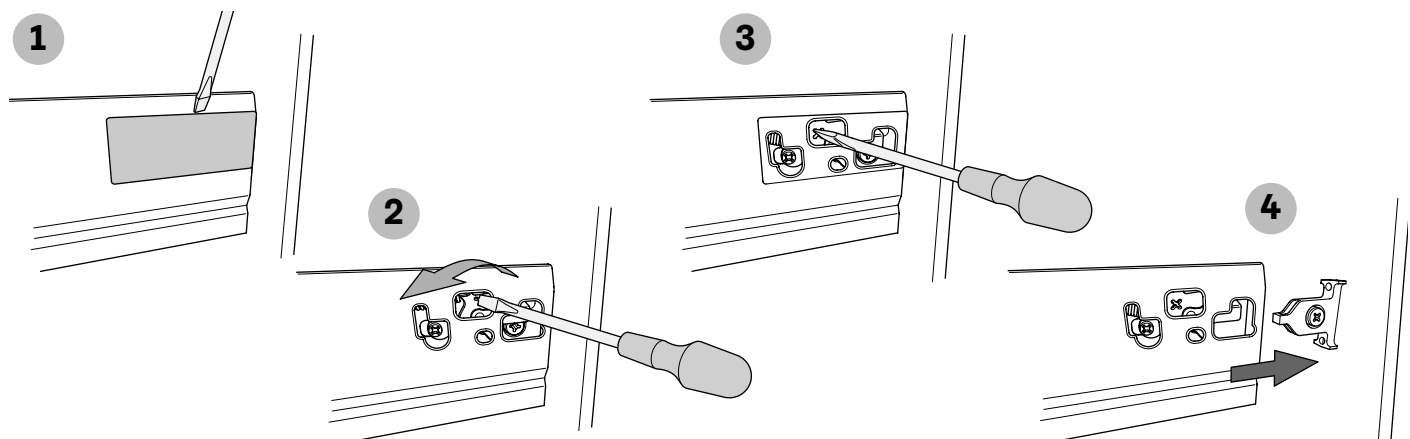
Drawer is reversible
(only one set of fixing holes shown for extra clarity)



Drawer adjustment



Drawer front removal

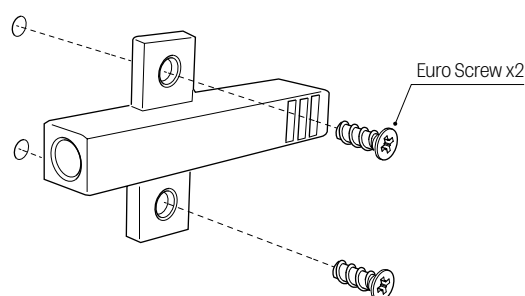


Push to open (HYH8438)

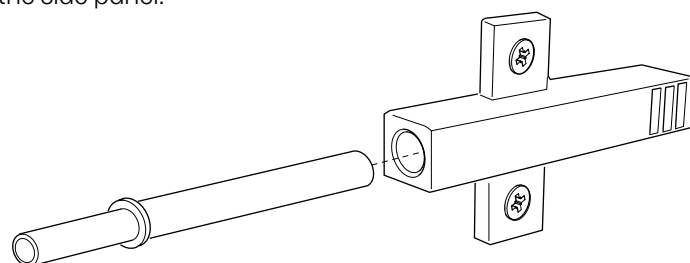
IMPORTANT: When fitting push to open, the hinges and hinge plates supplied with the cabinet will need to be replaced with the **110° unsprung hinges and hinge plates** supplied as part of the magnetic catch pack. These should be fitted to the cabinet in the positions of the existing hinges and hinge plates.
170° unsprung hinges are also available for corner cabinet applications as part of pack HYH8436.

Adapter plate

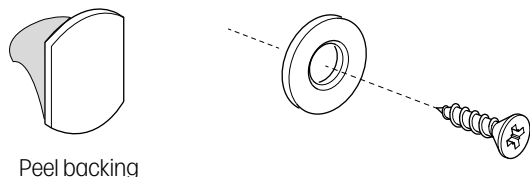
- 1** Fit the adapter plate to the hinge plate positions on the opposite side of the hinged door. Use euro screws to secure.
NOTE: If your cabinet does not have hinge plate holes drilled, pilot drill and use two 13mm CSK screws. Adapter should be fitted flush with the front edge of the cabinet and 70mm up from the bottom of the side panel.



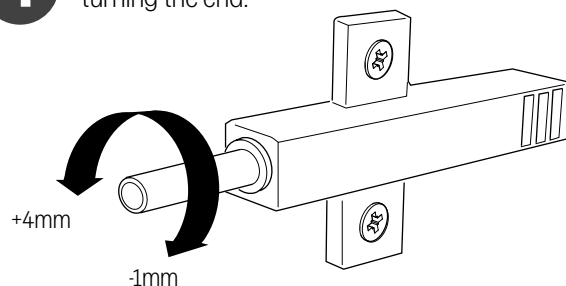
- 2** Fit the piston to the adapter plate pushing into place.



- 3** Use the adhesive magnet or screw on magnet, positioning to the back of the door in line with the piston.

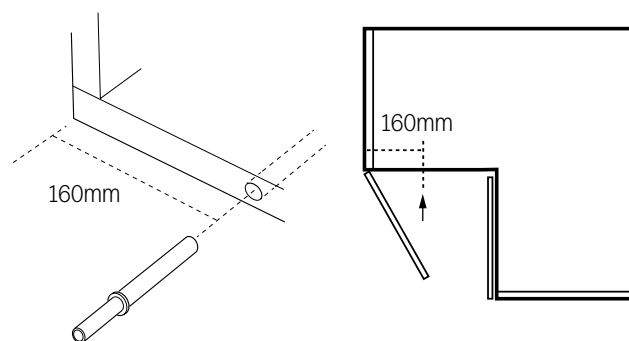


- 4** Adjust the position of the piston by turning the end.



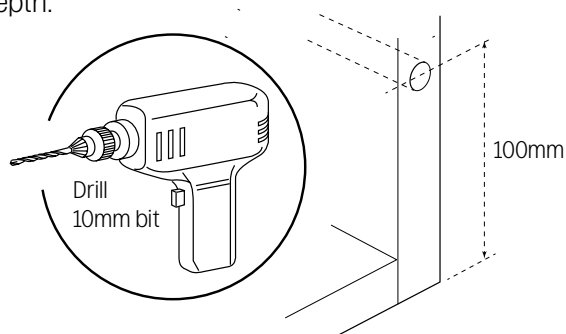
631/931 cabinet application

When using the push to open on a 631/931 cabinet application, the piston should be fitted into the bottom shelf front edge, 160mm in from the cabinet side. This is to avoid any clash with the adjoining door.

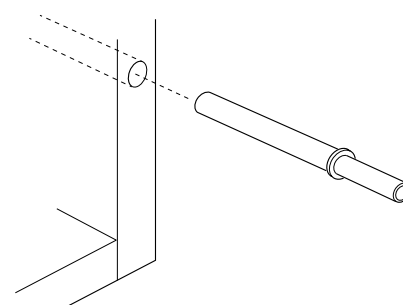


Side panel edge application

- 1** Carefully drill the front edge of the cabinet.
NOTE: Drill hole should be a diameter of 10mm x 76mm in depth.



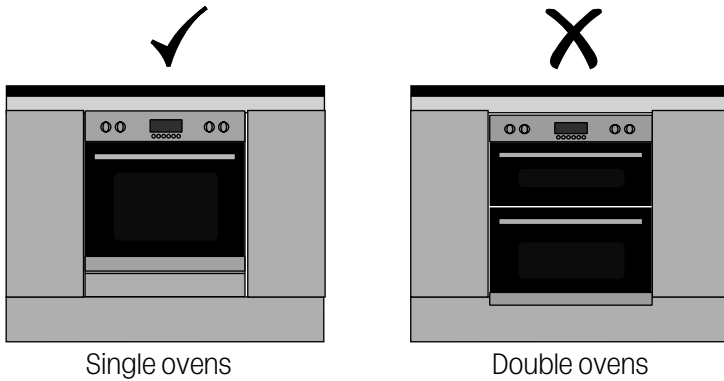
- 2** Fit the piston into the hole. Fit the magnet to the door as shown above.



Other appliance applications

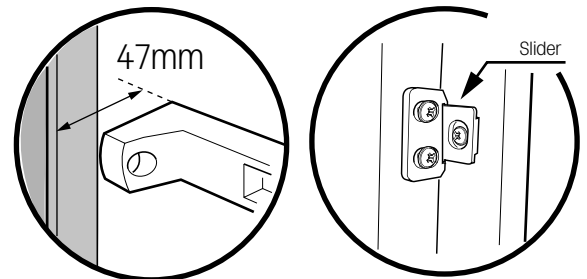
Built under Ovens

Built under double ovens are not compatible with the handleless profiles due to alignment with frontals. Only single ovens within the BUOH cabinet can be fitted with the handleless profile.



Fridge freezer tower

Location tabs on fixing brackets will need to be removed. Brackets should be aligned flush with the front edge of the cabinet (47mm from front of profile)

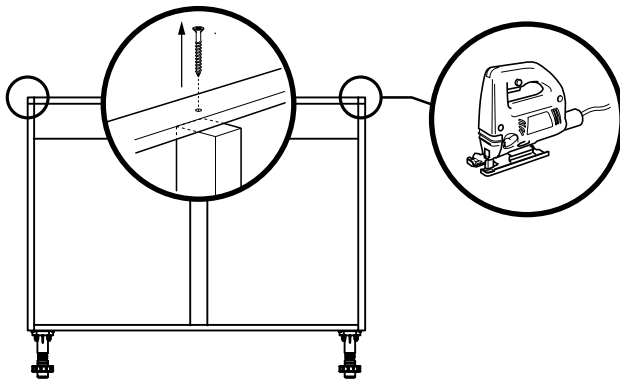


Slider bracket may require packing out by 5mm to ensure a good seal on the appliance.

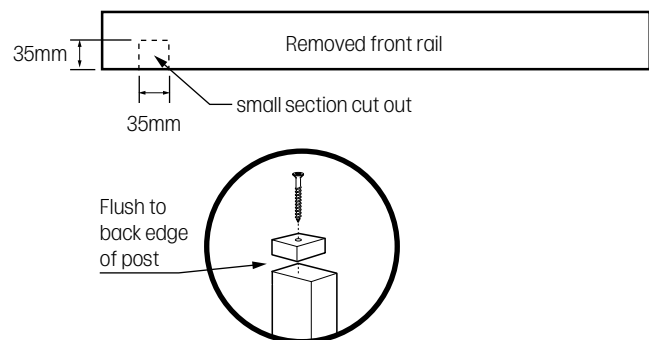
HL base cabinet for sink application

When using a HL base (pre-notched) in a sink cabinet application, the front rail will need to be removed. Follow the step-by-step below for modification.

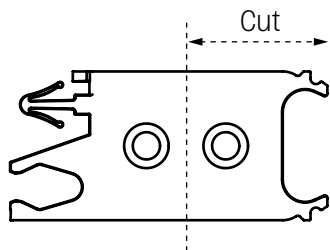
- 1 Remove the centre upright screw and front rail from the cabinet
Note: Use a jigsaw to carefully cut each side.



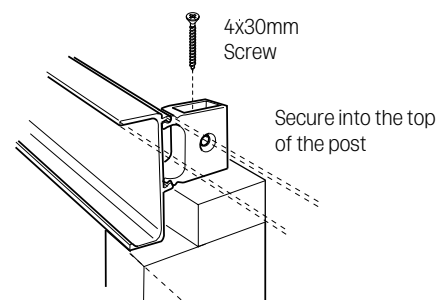
- 2 Cut a small section from the front rail and fit to the top of the centre post using the screw previously removed.
Note: Fit flush to the back of the post.



- 3 Cut a profile fixing bracket in half as shown.



- 4 Fit the shortened bracket to the back of the profile and fit the profile as shown in the worktop profile section of this manual (page 12).



Note: For dedicated sink base applications, use the jig to router the profile cut out as shown in the cabinet modification section of this manual.

