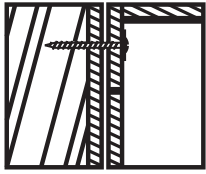


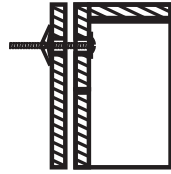
INSTALLATION INSTRUCTIONS

STEP 1: CABINET INSTALLATION. SELECT HARDWARE THAT IS BEST SUITED FOR YOUR WALL TYPE*

IMPORTANT: USE "PAN HEAD" OR "ROUND HEAD" SCREWS WITH SEAT WASHERS. SEAT SCREWS TIGHTLY AGAINST BACK RAIL OR PANEL WITHOUT DRIVING INTO BACK RAIL OR PANEL MATERIAL



STUDS:
Secure to wall with #10 x 3" screws at stud location.



DRYWALL: Drill holes and secure to the wall with toggle bolts.
Note: Use toggle bolts only when cabinet cannot be attached to a wall stud. Cabinet must also be attached to adjacent cabinet as outlined in Step 3.

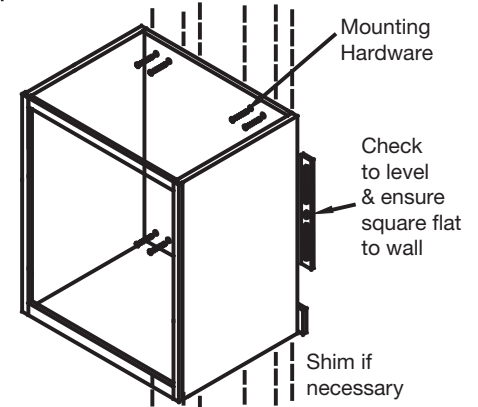


CONCRETE:
Drill 1/4" holes, insert #10 wall anchors and secure to wall with #10 x 3" screws.

STEP 2: CABINET INSTALLATION - STARTING IN A CORNER

Always start in a corner where two runs of cabinets will come together. All doors will need to be removed during the installation process to properly align all cabinets together. Locate and mark wall studs where planned cabinets are to be installed. Place the corner cabinet into that position. Use a level to be sure that the cabinet is level and straight. If needed, shim the cabinet to level.

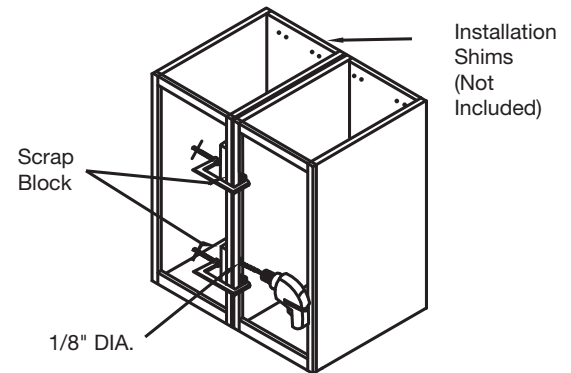
IMPORTANT: Shim cabinets square (flat) to the wall so there are no gaps between back of cabinet and wall in the mounting area. Drill a 3/16" pilot hole at the stud locations through the back panel and into the stud. Mount the cabinet to the wall with hardware appropriate for your wall type. Once your corner cabinets have been installed, work outward to install the remaining cabinets.



STEP 3: ATTACH CABINETS TOGETHER

After the corner cabinet is secured to the wall, use C-clamps to align the next cabinet to the first cabinet. Use a level to be sure the adjoining cabinets are flush and level with each other. If needed, shim the cabinets to level. Drill a 1/8" pilot hole in the face frame above or below each door hinge location. Attach the second cabinet to the first cabinet using a #8 x 2 1/2" screw and countersink for best appearance. Always attach cabinets together at the face frame as shown. Do not attach through the cabinet side panel.

ATTENTION: You must drill pilot holes to attach cabinets together.



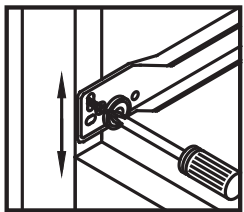
STEP 4: INSTALL REMAINING CABINETS

Drill a 3/16" pilot hole at the stud locations through the back panel and into the stud. Level and mount the cabinet to the wall with #10 x 3" screw. If needed, shim the cabinet to level. DO NOT COMPLETELY TIGHTEN MOUNTING SCREWS UNTIL ALL CABINETS HAVE BEEN ATTACHED TOGETHER. After all cabinets have been attached together and are level and secure, then tighten all mounting screws. Take care to seat mounting screws tightly against back rail or panel without driving into back rail or panel material. Check to be sure that all cabinets remain level after tightening.

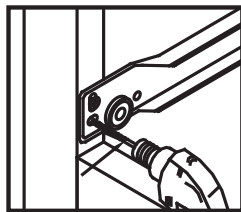
NOTE: To attach a wall cabinet to a TALL PANTRY unit, drill a 1/8" pilot hole 7/8" deep through the wall cabinet face frame to the tall pantry unit. Use a #8 x 1-5/8" screw to secure cabinets together.

STEP 5: KITCHEN DRAWER ADJUSTMENT

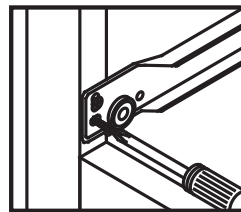
After you install all of your cabinets, it may be necessary to adjust the drawer fronts so they are level and have the proper reveals. To better secure adjustment, loosen the screws holding the drawer glides to the frame of the cabinet and adjust the drawer, then tighten the screws. Drill a 1/8" pilot hole through the second hole below and drive a #8 x 5/8" screw to fix the drawer in place.



1. Loosen screw and make vertical adjustments.

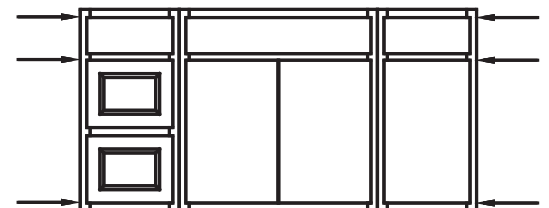


2. Drill 1/8" DIA. pilot hole in the second screw hole.



3. Tighten a #8 x 5/8" screw in the hole to fix the drawer glide in place.

Cabinet drawers and doors should line up as shown below. Be sure the glides are in the correct position before drilling the pilot holes.



*The fastening solutions described here are recommendations only, and are based on commonly used installations. Each installer must evaluate the specific characteristics of the particular wall on which the cabinets are to be installed to ensure the proper fastening solution is used and the product is fastened safely and securely. This may require hardware or fastening methods which are different from, or additional to, what is described here. RSI DOES NOT WARRANT THE INSTALLATION OF THIS PRODUCT.