

**1 HAMMOCK POSTS FOUNDATION PLAN**  
SCALE: 1/4" = 1'-0"

**GENERAL CONDITIONS**

**1. BUILDING AND DESIGN CODES:**

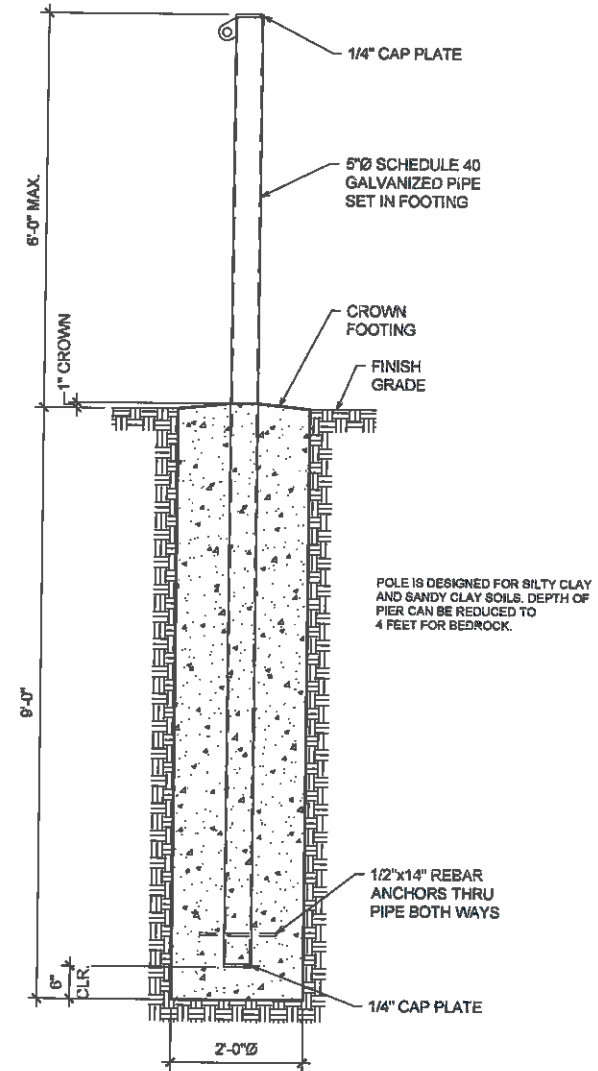
- A. INTERNATIONAL BUILDING CODE 2015
- B. AISC MANUAL OF STEEL CONSTRUCTION, 14TH EDITION, CODE OF STANDARD PRACTICE
- C. ACI 318-14 BUILDING CODE REQUIREMENTS FOR STRUCTURAL CONCRETE
- D. ACI DETAILING MANUAL LATEST EDITION, PUBLICATION SP-66

**CONCRETE**

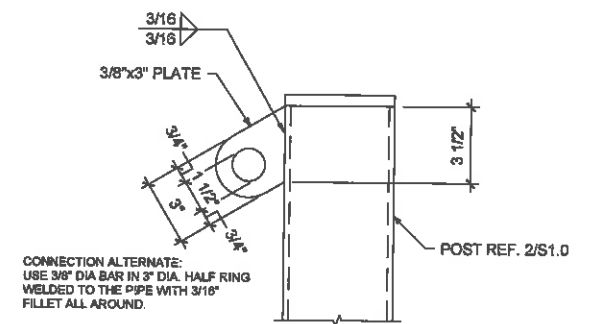
- 1. PROVIDE BATCH MIXING, TRANSPORTATION, PLACING AND CURING OF CONCRETE IN ACCORDANCE WITH RECOMMENDATIONS OF ACI 301 AND ACI 318. USE TYPE II PORTLAND CEMENT UNLESS NOTED OTHERWISE. PROVIDE ADMIXTURES AND SPECIAL REQUIREMENTS AS SPECIFIED.
  - A. ALL CONCRETE SHALL BE NORMAL WEIGHT (150 PCF) CONCRETE:  $f'_c=3,000$  PSI AT 28 DAYS WITH A MAXIMUM WATER/CEMENT RATIO OF 0.57 BY WEIGHT.

**STRUCTURAL STEEL**

- 1. DESIGN, DETAIL AND ERECT STRUCTURAL STEEL ELEMENTS IN ACCORDANCE WITH THE FOLLOWING:
  - A. AISC MANUAL OF STEEL CONSTRUCTION, ALLOWABLE STRESS DESIGN.
- 2. PROVIDE STRUCTURAL STEEL OF THE FOLLOWING ASTM DESIGNATIONS UNLESS NOTED OTHERWISE:
  - A. STRUCTURAL PIPE: ASTM A 53, GRADE B, TYPE E OR S
  - B. FLAT PLATE: ASTM A 36



**2 TYPICAL HAMMOCK SUPPORT POST**  
SCALE: 3/4" = 1'-0"

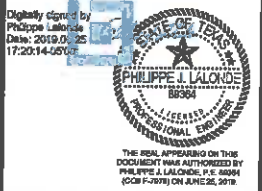


**3 TYPICAL HAMMOCK CONNECTION DETAIL**  
SCALE: 3" = 1'-0"

CONNECTION ALTERNATE:  
USE 3/8" DIA BAR IN 3" DIA. HALF RING  
WELDED TO THE PIPE WITH 3/16"  
FILLET ALL AROUND.

6 POLES WITH 3 AND ONE WITH 6 = 24 TOTAL  
SET HOOKS AT 60 DEGREE ANGLES ORIENTED TO CENTER POLE  
AND ADJACENT PERIMETER POLES.

**Lalonde Engineering, Inc.**  
CONSULTING STRUCTURAL ENGINEERS  
6617 RED BUD ROAD  
FORT WORTH, TX 76135  
PHONE: 817-307-8266  
FAX: 817-238-1520  
CO# F-7978



**BSA HAMMOCK STAND**  
SUBTITLE  
ADDRESS  
CITY, STATE

REVISIONS:	
DRAWN: L&C	CHECKED: P.L.
JOB NUMBER: 190845	
JUNE 25, 2019	

FOUNDATION PLAN  
& DETAIL

SHEET NUMBER  
**S1.0**