



RAZER CORE X

MASTER GUIDE

The **Razer Core X** Thunderbolt™ 3 external desktop graphics enclosure turns your laptop into a desktop-class gaming machine by adding external NVIDIA® GeForce®, NVIDIA® Quadro®, or AMD Radeon™ graphics*. The massive 650W power supply fuels the graphics card and provides 100W power delivery to compatible laptops via USB-C. Beauty meets beast with the ultimate external graphics solution.

**Graphics card sold separately.*

CONTENTS

1. PACKAGE CONTENTS / SYSTEM REQUIREMENTS.....	3
2. REGISTRATION / TECHNICAL SUPPORT.....	4
3. TECHNICAL SPECIFICATIONS.....	5
4. DEVICE LAYOUT.....	6
5. SETTING UP YOUR RAZER CORE X.....	9
6. SAFETY AND MAINTENANCE	17
7. LEGALESE.....	19

1. PACKAGE CONTENTS / SYSTEM REQUIREMENTS

PACKAGE CONTENTS

- Razer Core X external graphics enclosure
- Thunderbolt™ 3 (USB-C™) cable
- Power cord*
- Important Product Information Guide

**may include power cords for specific regions*

SYSTEM REQUIREMENTS

- PC or Mac with Thunderbolt 3™ external graphics support
- Razer Core X compatible PCI-E graphics card
- Windows® 10 64-bit (RS1 or higher)
- OS X 10.13.4 (or higher)

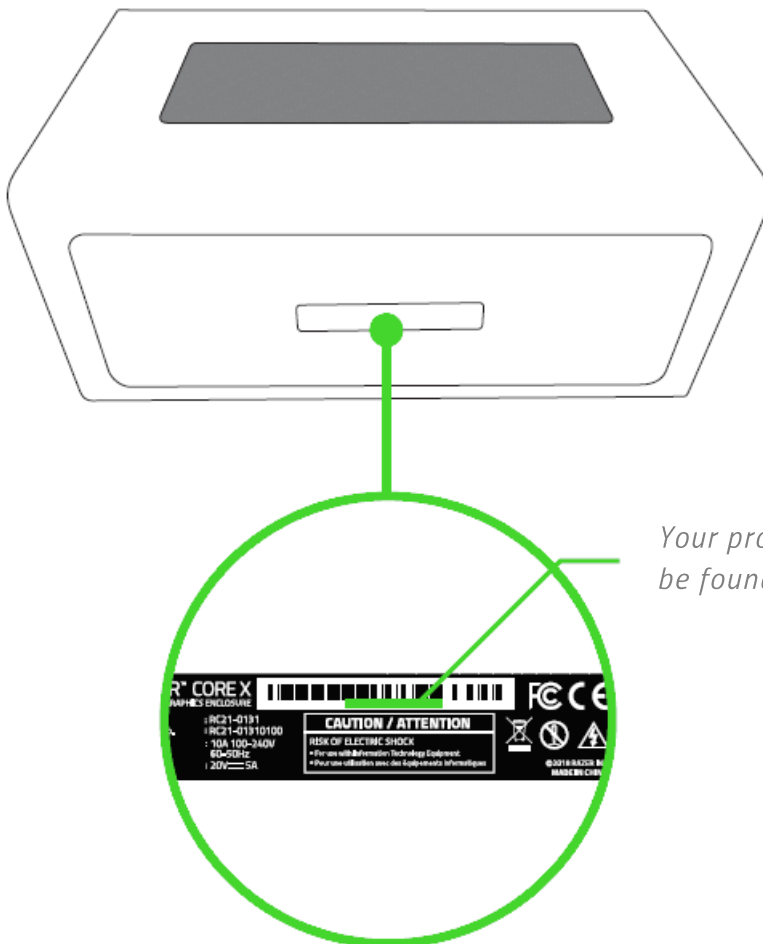
Note: Visit rzd.to/core for compatibility information; and to download the latest driver and firmware updates.

2. REGISTRATION / TECHNICAL SUPPORT

REGISTRATION

Register your product online at [razerid.razer.com/warranty](https://www.razerid.razer.com/warranty) to get real-time information on your product's warranty status.

If you haven't registered for a Razer ID yet, register now at [razerid.razer.com](https://www.razerid.razer.com) to get a wide range of Razer benefits.



Your product's serial number can be found underneath.

TECHNICAL SUPPORT

- 1 year limited manufacturer's warranty.
- Free online technical support at support.razer.com.

3. TECHNICAL SPECIFICATIONS

TECHNICAL SPECIFICATIONS

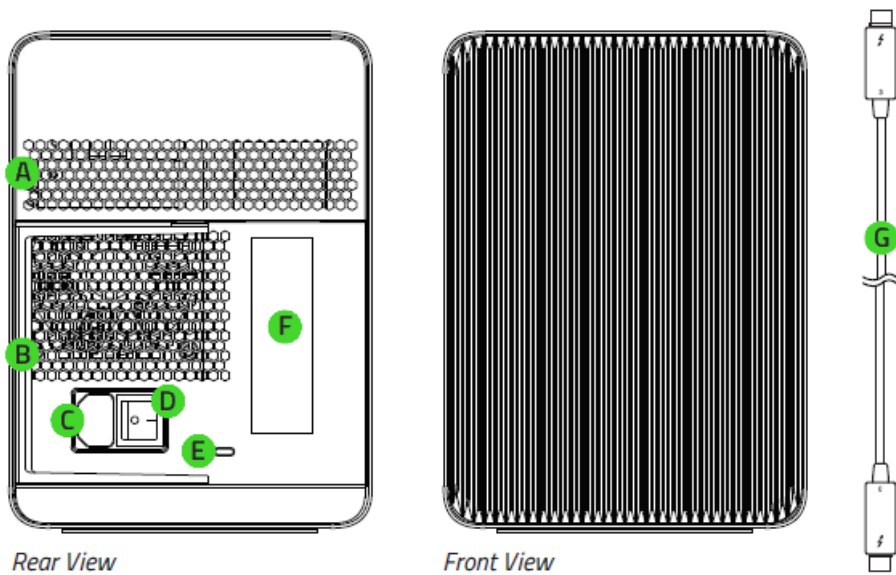
- Model No.: RC21-0131
- Product No.: RC21-01310100
- Connection to PC: Thunderbolt™ 3/USB-C™ (up to 40Gbps) cable
- GPU Support (Desktop graphics card not included)
 - GPU Type: Up to 3-slot wide, full-length, PCI-Express x 16 graphics card
- Razer Core X Inner Dimensions (Approx.): 12.99 in / 330 mm (Length*) x 6.29 in / 160 mm (Height) x 2.36 in / 60 mm (Width)

**Height measured from the top of the PCIe connector to the bottom of the locking pin ramps*
- Internal Power Supply: 650W
- Laptop Power Delivery: Up to 100W via USB-C

APPROXIMATE SIZE & WEIGHT

- Length: 14.7 in / 374 mm
- Height: 9.1 in / 232 mm
- Width: 6.6 in / 168 mm
- Weight: 6.46 kg / 14.2 lbs

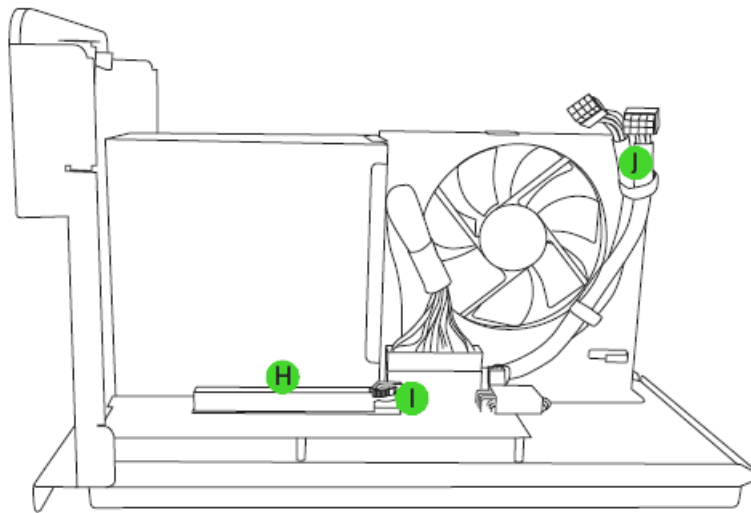
4. DEVICE LAYOUT



Rear View

Front View

- A. Exhaust vents
- B. Compartment release lever
- C. Power port
- D. Power Switch
- E. Thunderbolt 3 (USB-C) port
- F. PCI-E slot cover
- G. Thunderbolt 3 (USB-C) cable



Compartment

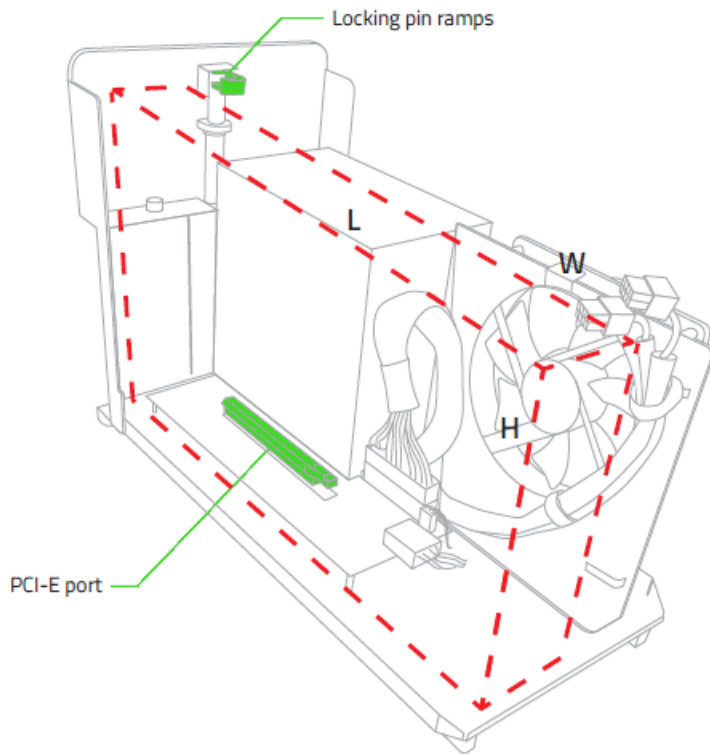
- H. PCI-E port
- I. PCI-E card release lever
- J. 6+2-pin power connectors

RAZER CORE X MAX INNER DIMENSIONS:

Length: 12.99 in / 330 mm

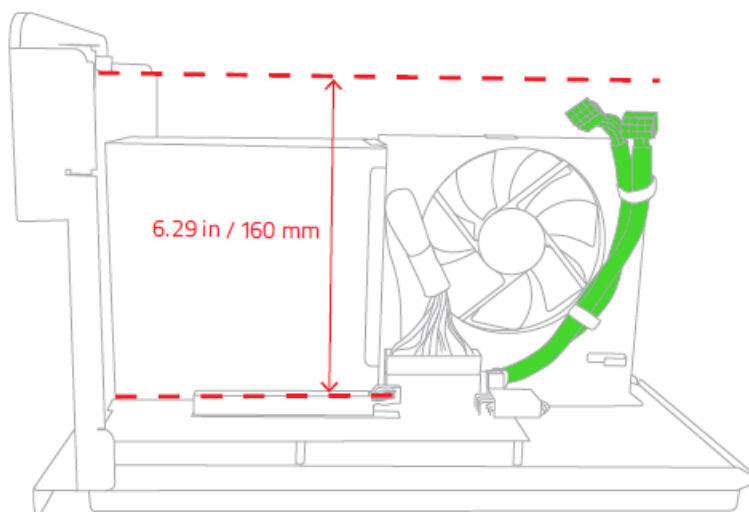
Height*: 6.29 in / 160 mm

Width: 2.36 in / 60 mm



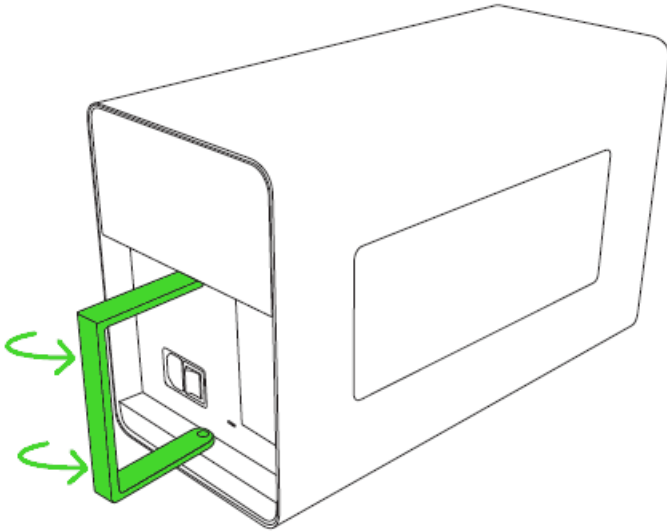
**Height is measured from the top of the PCI-E port to the bottom of the locking pin ramps.*

Ensure that there is enough space for the 6+2-pin power connectors

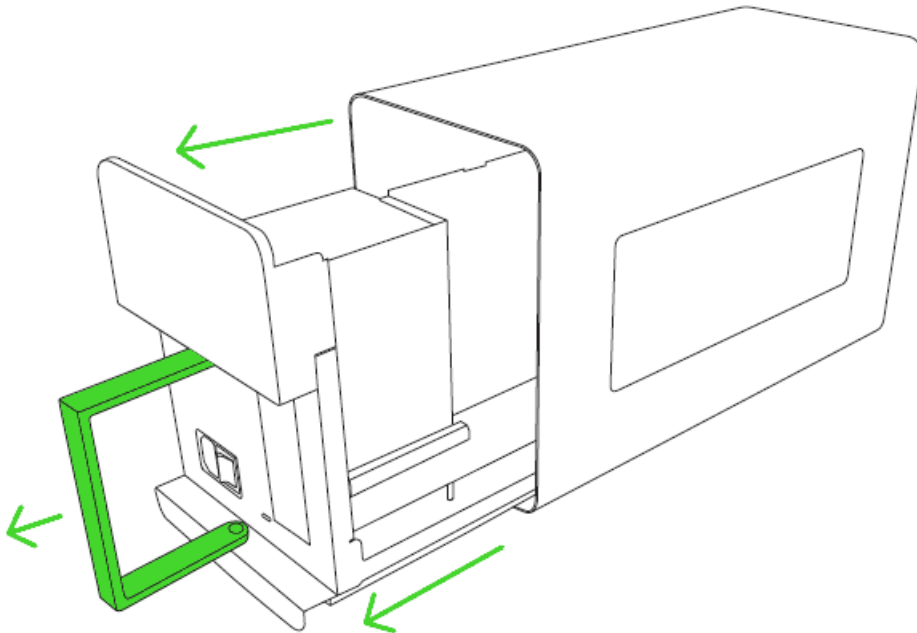


5. SETTING UP YOUR RAZER CORE X

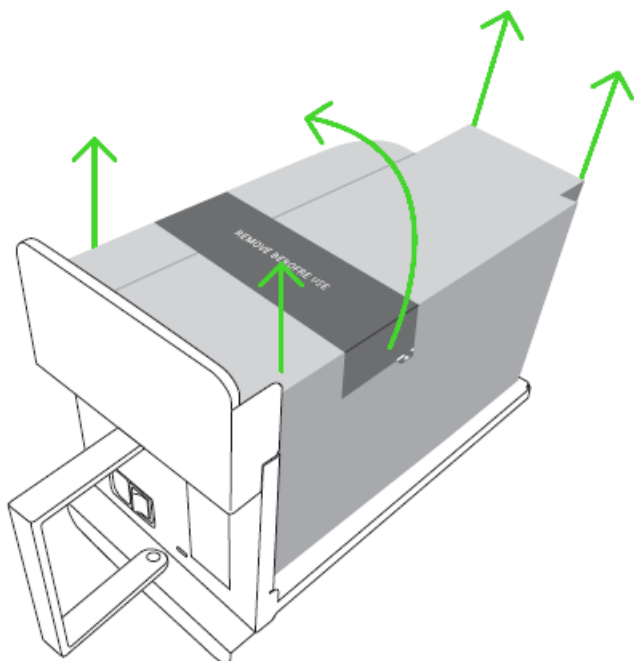
1. Gently pull the lever to unlock.



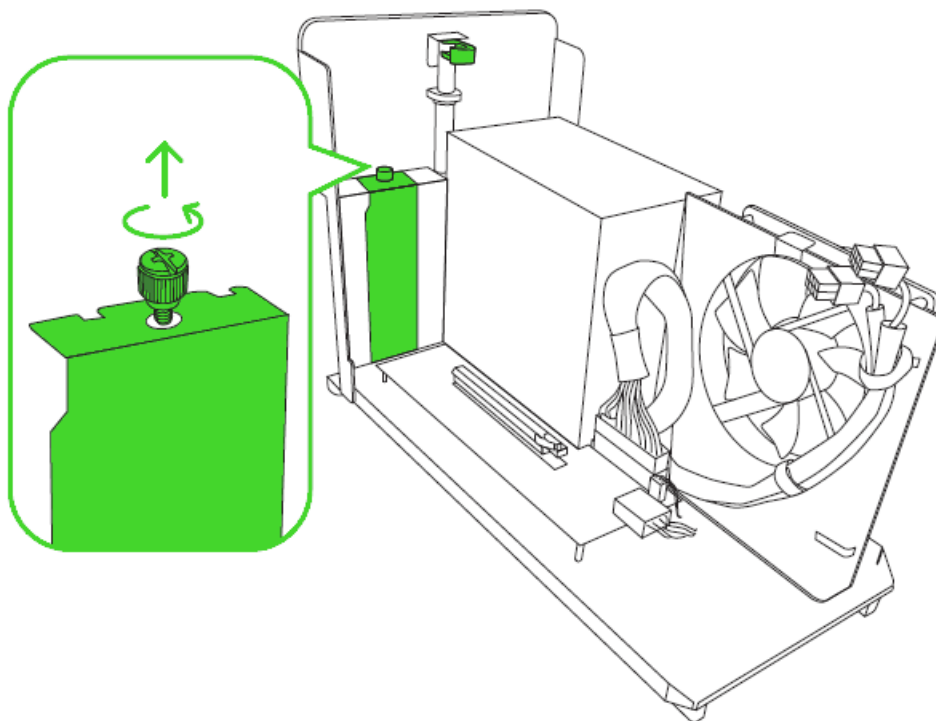
2. Pull out the compartment from the enclosure.



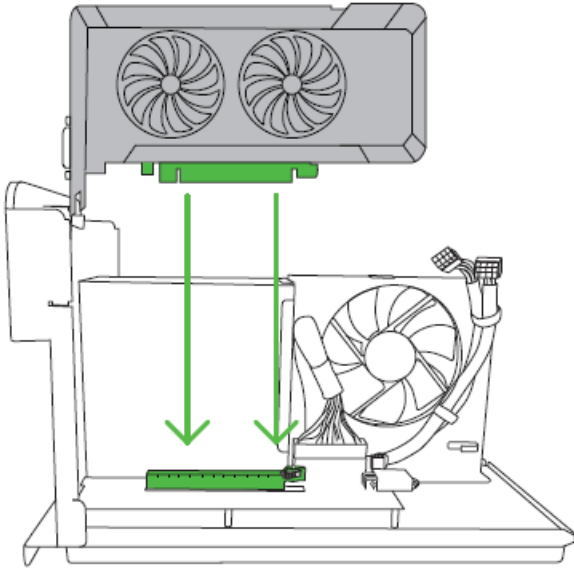
3. Peel off the tape and remove the protective foam.



4. Remove the PCI-E slot cover and thumbscrew.

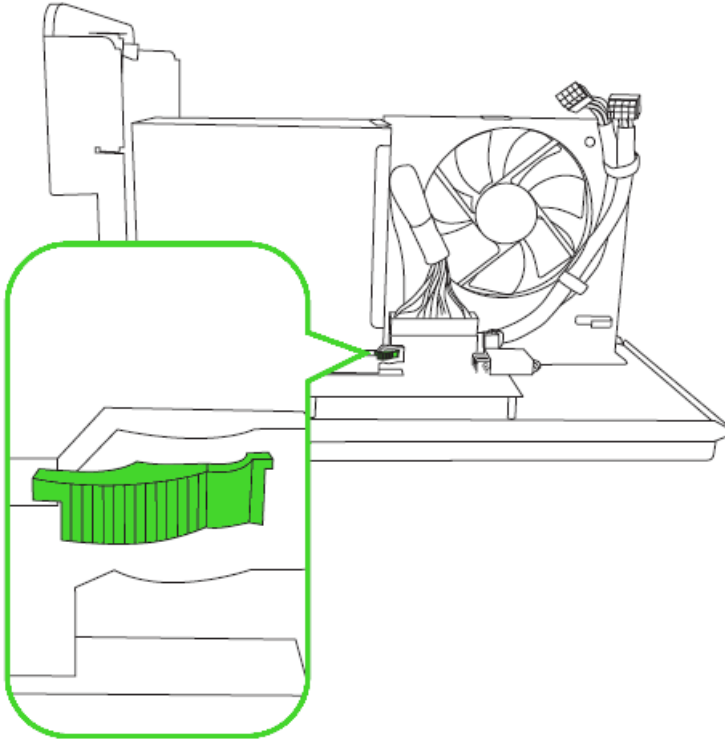


5. Insert your compatible graphics card* to the PCI-E port.

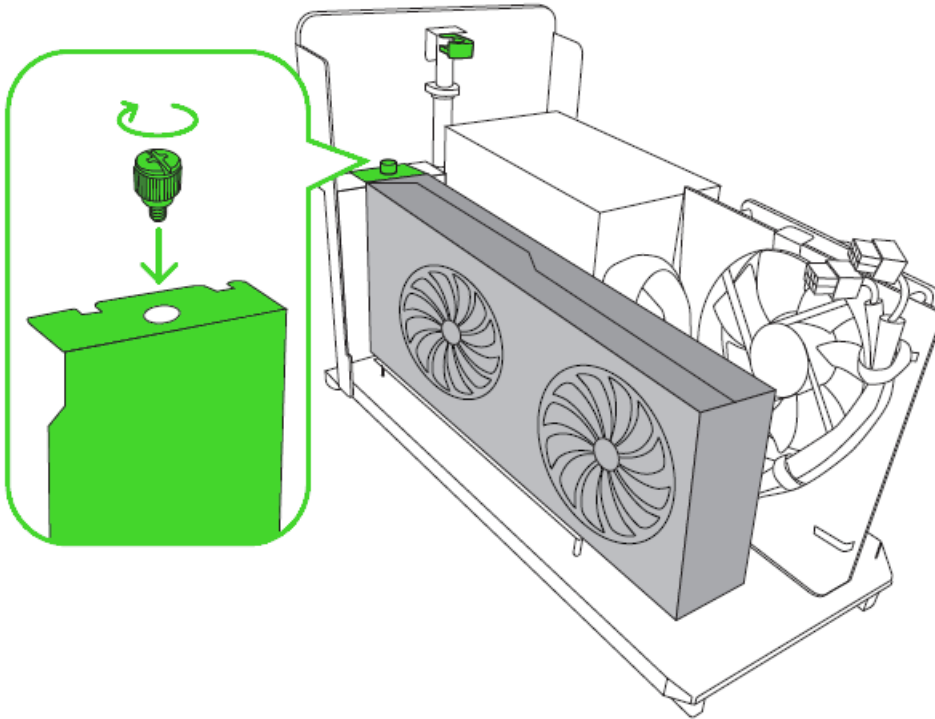


**Not included*

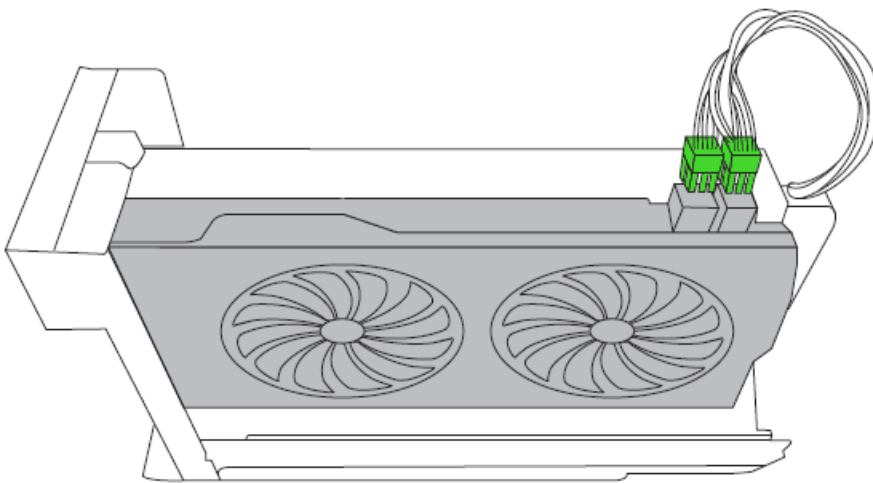
- i** Push the release lever from the opposite side to eject the graphics card. Always push the release lever first before pulling out your graphics card.



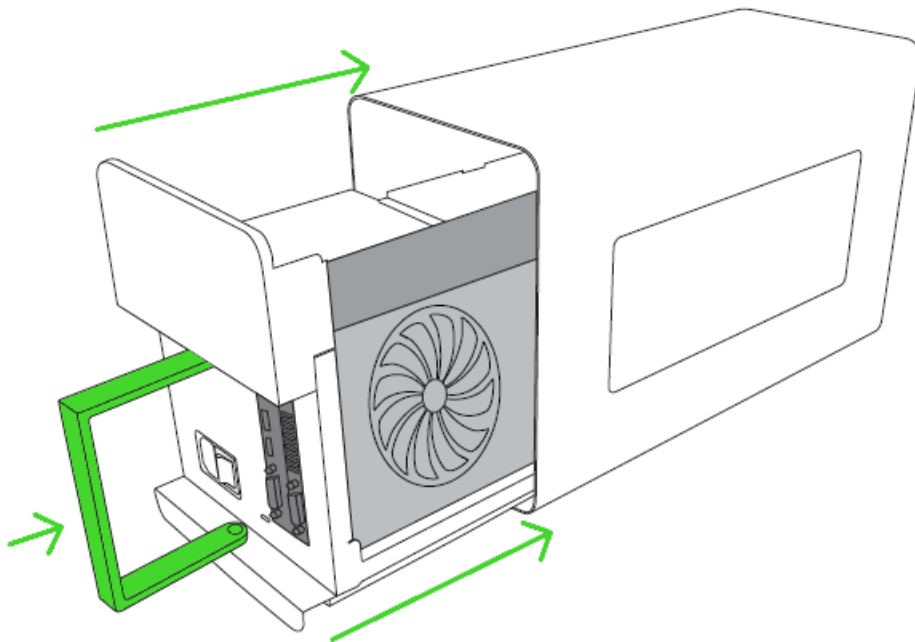
6. Re-insert the PCI-E thumbscrew.



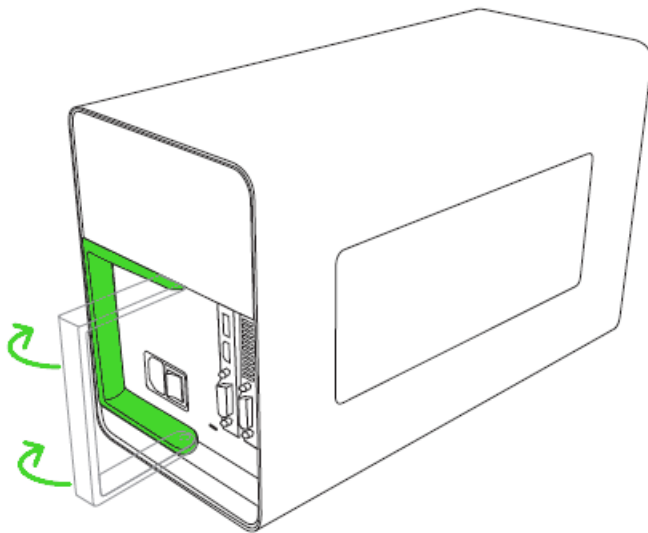
7. Plug the 6+2-pin power connectors to your graphics card.



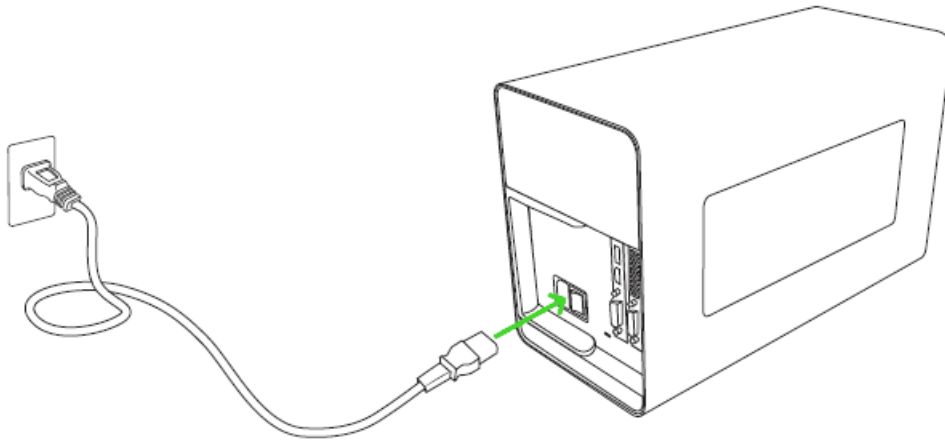
8. Push the compartment into the enclosure until completely shut.



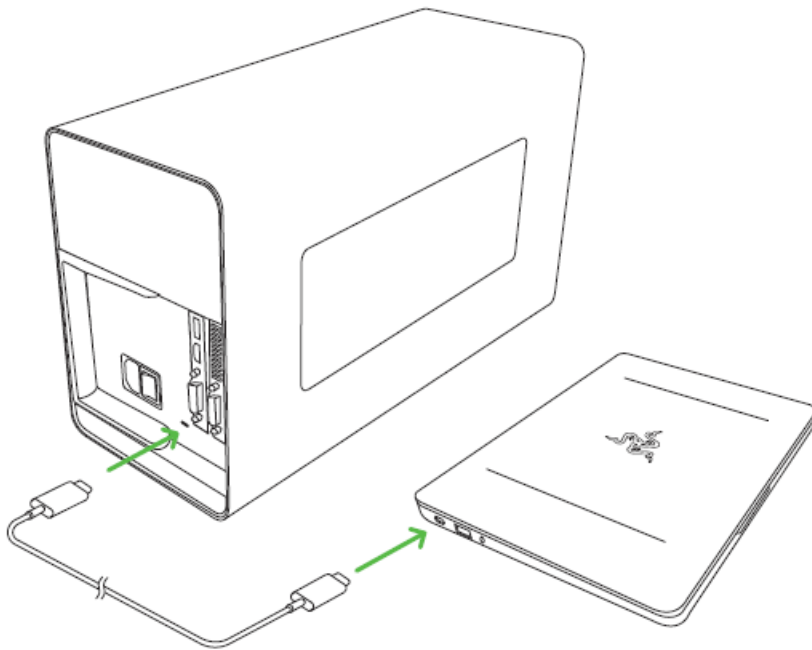
9. Push the lever to lock the compartment.



10. Connect the Razer Core X to an outlet using the power cord.

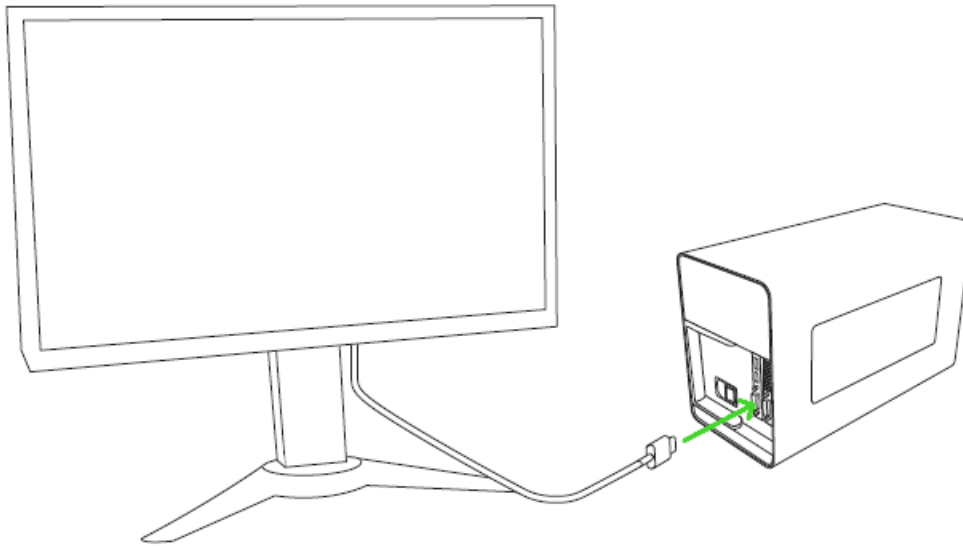


11. Connect the Razer Core X to your Razer Blade Stealth using the Thunderbolt 3 (USB-C) cable.

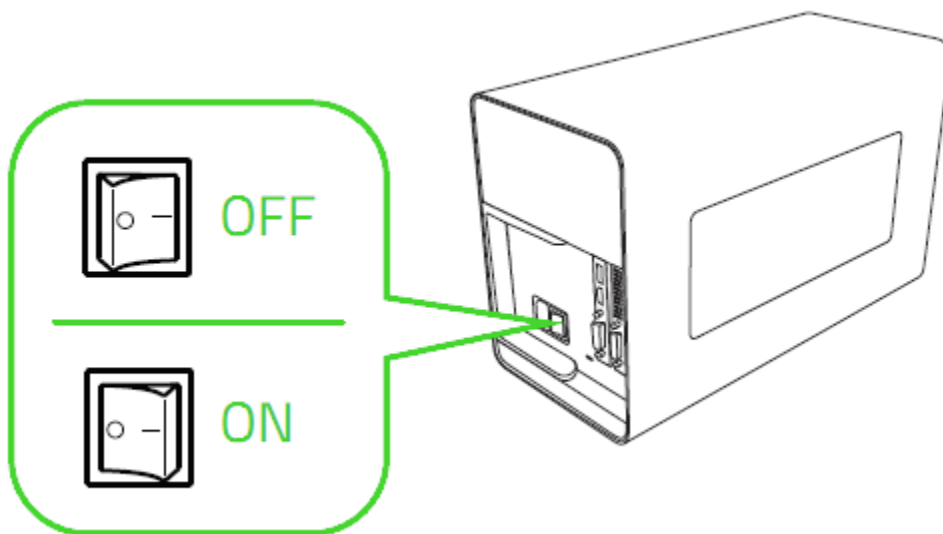


Note: This connection will also provide power and charge your compatible USB-C powered laptop.

12. Connect the Razer Core X to your external monitor using the display port of your installed graphics card.



13. Toggle the power switch on.



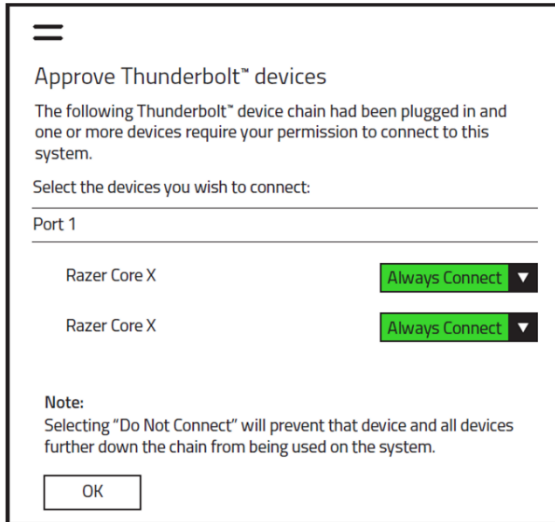
i A SYSTEM UPDATE MAY BE REQUIRED

Your compatible Razer Blade Stealth or Razer Blade may require a software update for Razer Core X to function properly. Please check the following website to ensure your system has the latest software installed: rzt.to/core-update

14. Configure the necessary system settings for your Razer Core X:

For Windows users

Once the Razer Core X is powered on and connected to your system, the Thunderbolt software window will pop up. Simply set all listed Razer Core X to **Always Connect** and click **OK**. These settings can also be accessed from the Thunderbolt software in the system tray if the pop-up window does not display.



- i As the Razer Core X uses a unique dual-chip Thunderbolt design to effectively handle both graphic and peripheral data through a single Thunderbolt connection to your laptop, all Razer Core X shown in the displayed port must be set to **Always Connect**.

For Mac users

Your Razer Core X can already be used by supported applications upon connecting it to the Thunderbolt (USB-C) port of your Mac. For more information on how to use your external GPU configuration with your Mac, please visit support.apple.com/HT208544.

6. SAFETY AND MAINTENANCE

IMPORTANT SAFETY INSTRUCTIONS

WARNING: Failure to follow these safety instructions could result in fire, electric shock, or other injury or damage.

To operate the computer safely and reduce the possibility of heat-related injuries, follow these guidelines:

- Should you have trouble operating the device properly and troubleshooting does not work, unplug the device and contact the Razer hotline or go to support.razer.com for support.
- Do not attempt to service or fix the device yourself at any time.
- Operate the device only within the specific temperature range of 0°C (32°F) to 40°C (104°F). Should the temperature exceed this range, unplug and switch off the device in order to let the temperature stabilize to an optimal level.
- Ensure that the Razer Core X is on a stable work surface and does not hinder air circulation from around the computer.
- Do not use or install near water or moisture. Do not use around swimming pools, bath tubs, or other wet surfaces.
- Do not use or install near any heat or naked flame sources. Do not use around radiators, stoves, fire places, candles or other hot surfaces.
- Power sources & voltage warning. This apparatus should only be operated from the type of power source indicated on the apparatus. If you are unsure of the power source in the location you intend to operate the apparatus, please consult the local power company or a qualified technician.
- Do not block ventilation grills or openings. Install in accordance with manufacturer's instructions.
- Unplug the apparatus before cleaning and do not use aerosol or liquid cleaning agents.
- Never place anything over the power adapter when operating your apparatus. Do not place the apparatus on any unstable cart, stand, tripod or table. The apparatus may fall, causing injury to person and damage to property, including the product itself.
- Unplug this apparatus during lightning storms or when unused for extended periods of time to further protect the apparatus.
- Protect the power cord from being walked on or pinched, particularly at plugs, convenience receptacles, or the point where they exit from the apparatus.
- Do not insert or push any objects into openings on the product.

- Do not overload wall electricity outlets, extension cords and plugs. This may result in fire or electrical shock.
- Refer all servicing to qualified service personnel. Servicing is required when the apparatus has been damaged in any way, such as power-supply cord or plug is damaged, liquid has been spilled or objects have fallen into the apparatus, the apparatus has been exposed to rain or moisture, does not operate normally, or has been dropped. Do not attempt to service this apparatus yourself. Removing the covers will expose you to dangerous electric currents.
- Do not take apart the device (doing so will void your 30-days warranty) and do not attempt to operate it under abnormal current loads.
- Do not expose the device to liquids. Exposing the product to these conditions may result in an electric shock.
- Do not expose the device to open flames such as stoves, candles, or fireplaces.
- Dispose the product in accordance with your local environmental laws and guidelines.
- Do not use the product if any cable is damaged or any wires are exposed. Doing so may result in an electric shock.
- Use only the power cord provided with the product to avoid short-circuiting the system.
- Do not tamper or abuse the product; including but not limited to dropping, shaking, crushing, excessive bending, puncturing, shredding, or inserting foreign objects into the device.
- Do not expose the device to fine solid objects such as dust, dirt, and sand.
- Avoid placing the product near devices that emit radio waves such as mobile phones, radio transmitters and Wi-Fi routers as it can be affected by their magnetic interference.

7. LEGALESE

COPYRIGHT AND INTELLECTUAL PROPERTY INFORMATION

©2018 Razer Inc. All rights reserved. Razer, the triple-headed snake logo, Razer logo, “For Gamers. By Gamers.”, and “Powered by Razer Chroma” logo are trademarks or registered trademarks of Razer Inc. and/or affiliated companies in the United States or other countries. All other trademarks and trade names are the property of their respective owners and other company and product names mentioned herein may be trademarks of their respective companies.

Windows and the Windows logo are trademarks of the Microsoft group of companies.

Thunderbolt and the Thunderbolt logo are trademarks of Intel Corporation in the U.S. and/or other countries.

Razer Inc. (“Razer”) may have copyright, trademarks, trade secrets, patents, patent applications, or other intellectual property rights (whether registered or unregistered) concerning the product in this guide. Furnishing of this guide does not give you a license to any such copyright, trademark, patent or other intellectual property right. The Razer Core X (the “Product”) may differ from pictures whether on packaging or otherwise. Razer assumes no responsibility for such differences or for any errors that may appear. Information contained herein is subject to change without notice.

LIMITED PRODUCT WARRANTY

For the latest and current terms of the Limited Product Warranty, please visit [razer.com/warranty](https://www.razer.com/warranty).

LIMITATION OF LIABILITY

Razer shall in no event be liable for any lost profits, loss of information or data, special, incidental, indirect, punitive or consequential or incidental damages, arising in any way out of distribution of, sale of, resale of, use of, or inability to use the Product. In no event shall Razer’s liability exceed the retail purchase price of the Product.

GENERAL

These terms shall be governed by and construed under the laws of the jurisdiction in which the Product was purchased. If any term herein is held to be invalid or unenforceable, then such term (in so far as it is invalid or unenforceable) shall be given no effect and deemed to be excluded without invalidating any of the remaining terms. Razer reserves the right to amend any term at any time without notice.