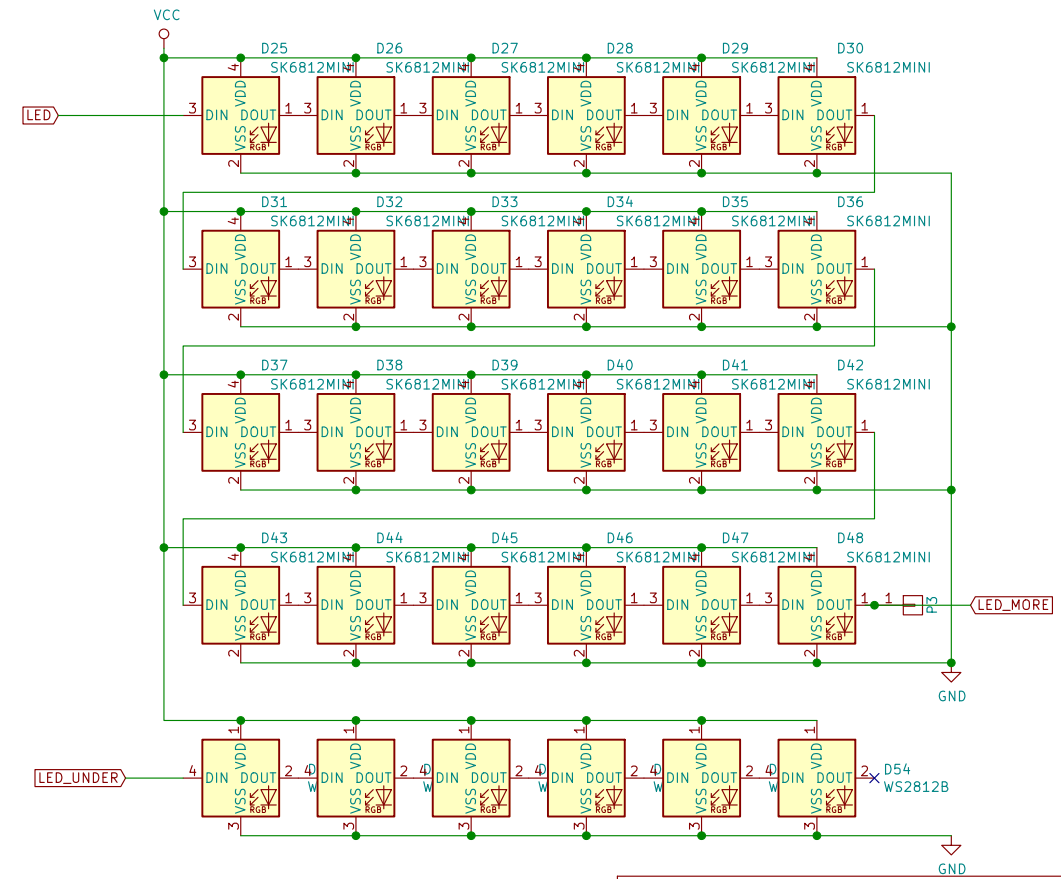
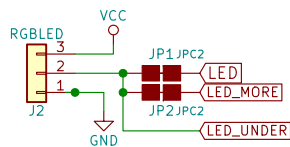
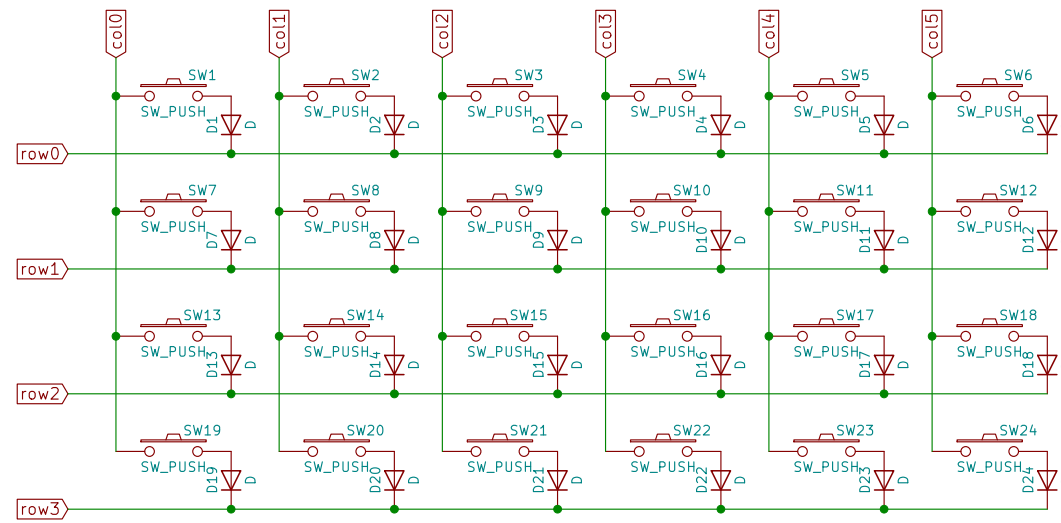
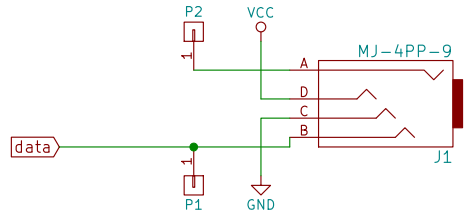
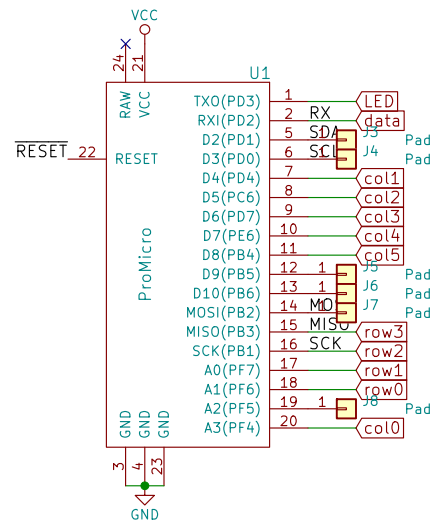


VCC PWR_FLAG
PWR_FLAG GND



Sheet: /		
File: zinc.sch		
Title: Zinc		
Size: A3	Date: 2019-08-07	Rev: 1d
KiCad E.D.A. kicad (5.1.0)-1		Id: 1/1