



AXIAL FANS

BK
BB
BDRAX
BORAX
4M
4T

B5P-B6P
B6PA
B5PA
BSM-BST
BSMS-BSTS
BA7
BTF

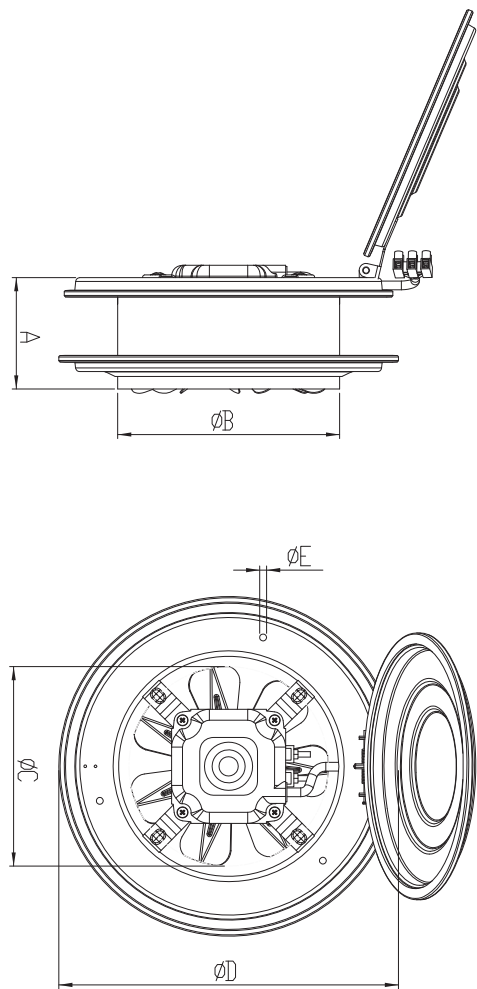


BK

AC AXIAL FANS Lid Option

Provides a strong air circulation in silence with the ideal vane angels. Can be mounted easily to windows and walls. With it's lid, it is not effected from outer environmental factors when the fan is out of order.

Technical Drawing



- MATERIAL** : The housing is made of electrostatic powder coated sheet steel, impeller is made of aluminium.
- INSULATION CLASS** : Class B
- DIRECTIVE** : EN 60335-1, EN 60335-2-80
- SPEED CONTROL** : Speed can be adjusted using an optional controller.
- APPLICATION AREAS** : Kitchens, bathrooms, offices, etc. for taking polluted air, smoke and undesired smells out.

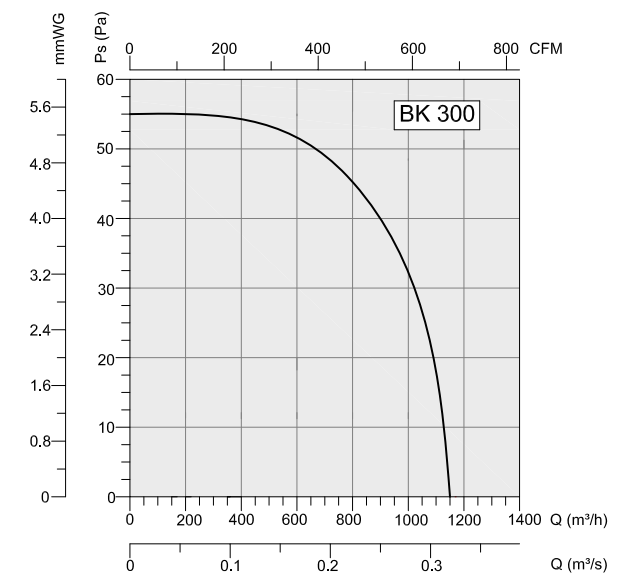
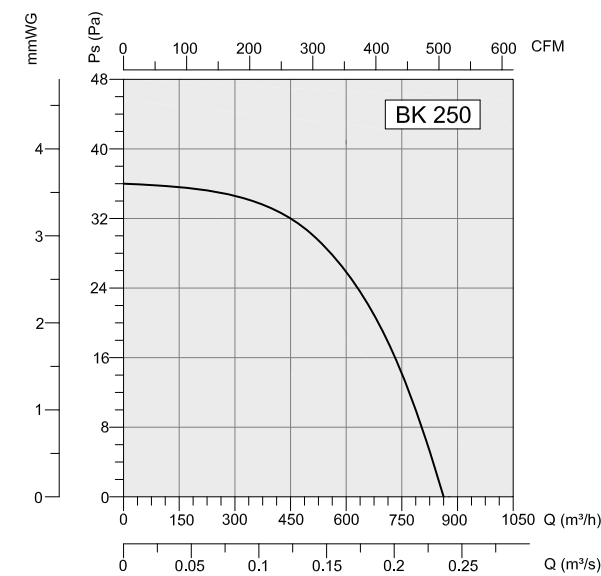
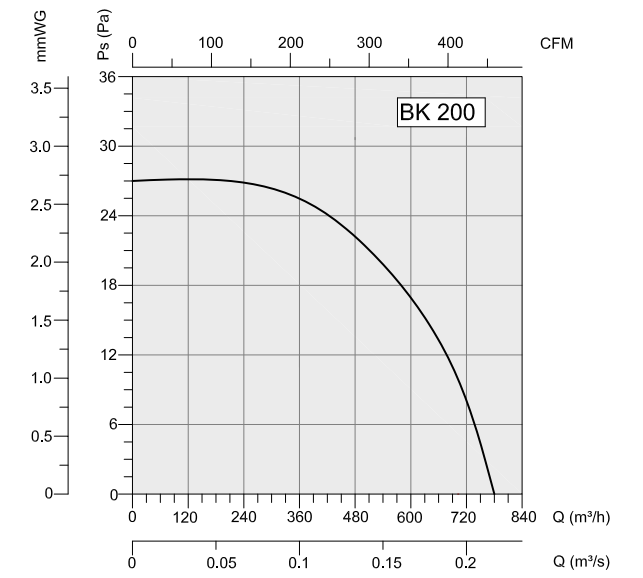
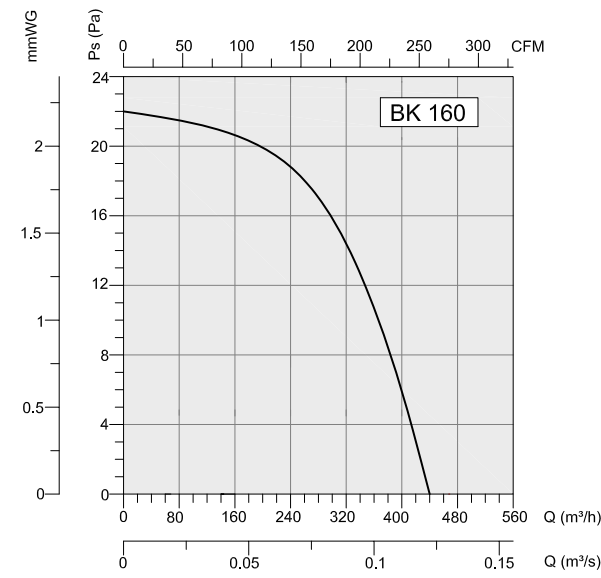
Accessories



BSC

TYPE	A	B	C	D	E
BK 160	80	162	148	236	5
BK 200	102	202	178	282	5
BK 250	102	248	234	332	5
BK 300	102	298	284	380	5

Dimensions are in (mm)



TYPE	VOLTAGE	FREQUENCY	POWER	CAPACITOR	SPEED	AIR FLOW	SOUND PRESSURE LEVEL	WEIGHT
	V	Hz	W	(µF)	rpm	m³/h	dB(A)	kg
BK 160	230	50	30	-	1325	450	44	2
BK 200	230	50	30	-	1250	780	46	2.25
BK 250	230	50	40	-	1330	890	49	2.65
BK 300	230	50	49	-	1380	1150	52	3.1

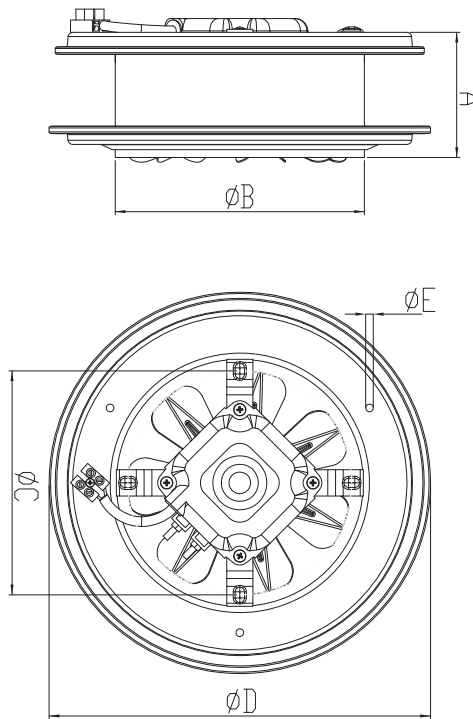


BB

AC AXIAL FANS

Provides a strong air circulation in silence with the ideal vane angels. Can be mounted easily to windows and walls.

Technical Drawing



- MATERIAL** : The housing is made of electrostatic powder coated sheet steel, impeller is made of aluminum.
- INSULATION CLASS** : Class B
- DIRECTIVE** : EN 60335-1, EN 60335-2-80
- SPEED CONTROL** : Speed can be adjusted using an optional controller.
- APPLICATION AREAS** : Kitchens, bathrooms, offices, etc. for taking polluted air, smoke and undesired smells out.

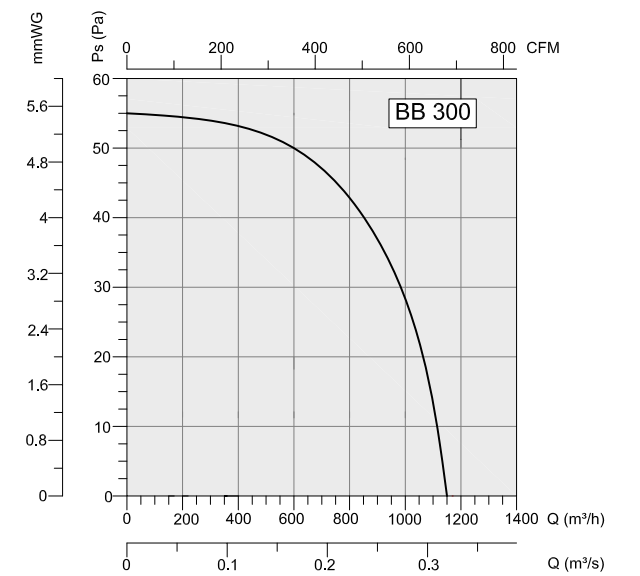
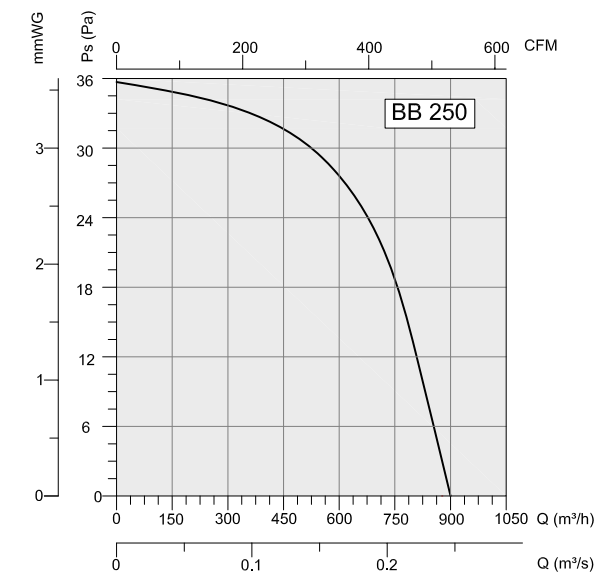
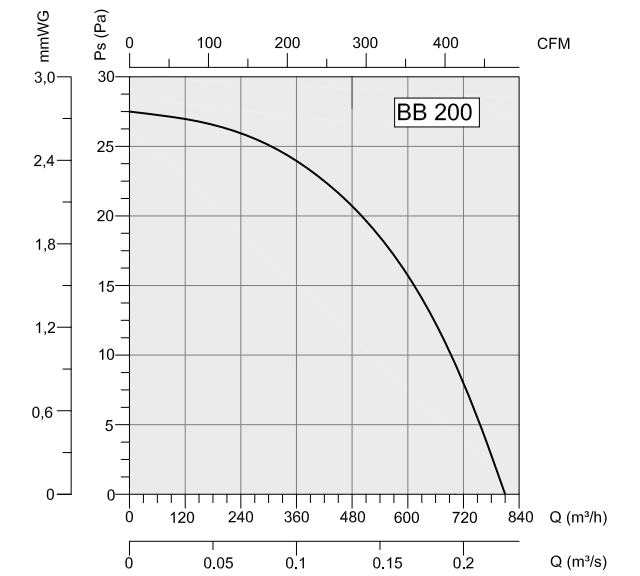
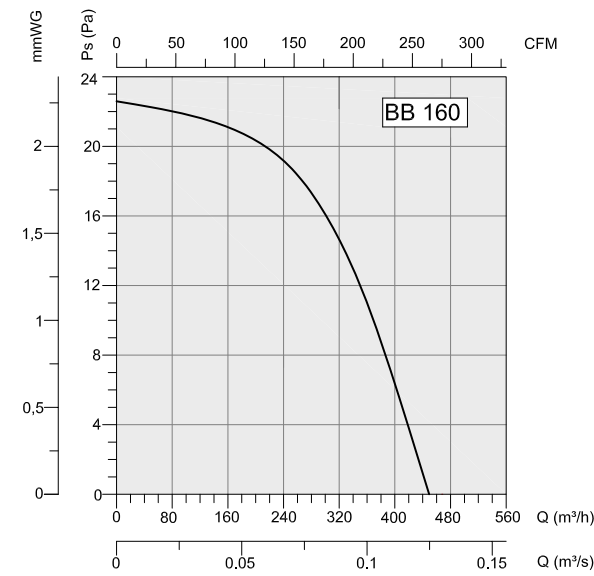
Accessories



BSC

TYPE	A	B	C	D	E
BB 160	80	162	148	236	5
BB 200	102	202	178	282	5
BB 250	102	248	234	332	5
BB 300	102	298	284	380	5

Dimensions are in (mm)



TYPE	VOLTAGE	FREQUENCY	POWER	CAPACITOR	SPEED	AIR FLOW	SOUND PRESSURE LEVEL	WEIGHT
	V	Hz	W	(µF)	rpm	m³/h	dB(A)	kg
BB 160	230	50	30	-	1325	450	44	2
BB 200	230	50	30	-	1250	780	46	2.25
BB 250	230	50	40	-	1330	890	49	2.65
BB 300	230	50	49	-	1380	1150	52	3.1

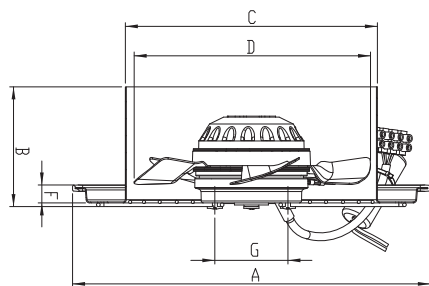
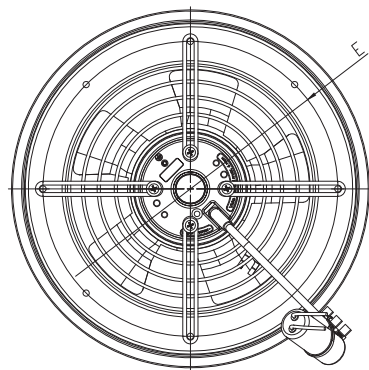


BDRAX

AC AXIAL FANS

They are ideal for applications where space is limited and high volume of airflow is needed. BDRAX fans work at minimum noise level.

Technical Drawing



- MATERIAL** : Casing is made of black powder coated sheet steel, impeller is made of electrostatic powder coated sheet and coupled with external rotor motor.
- INSULATION CLASS** : Class B
- DIRECTIVE** : EN 60335-1, EN 60335-2-80
- SPEED CONTROL** : Speed can be adjusted using an optional controller.
- APPLICATION AREAS** : Electrical Panel Cooling, UPS Systems, Air Conditioning & Refrigeration, Welding Sets and Rectifiers Industrial & Domestic Exhaust Fans, other applications that need cooling with high air volume and low pressure.

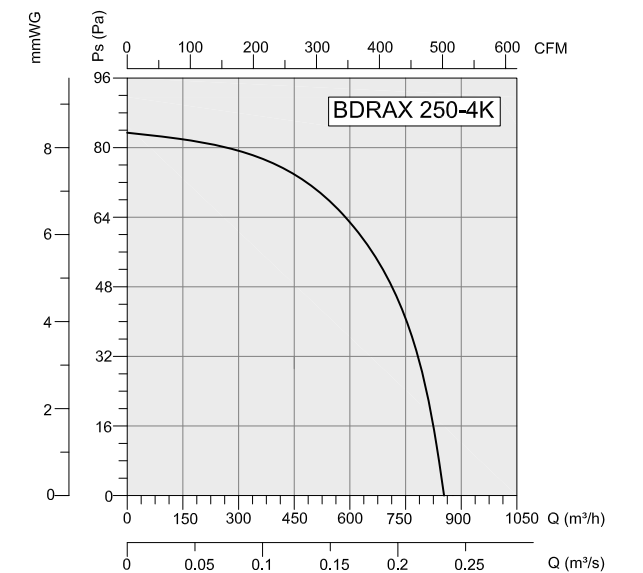
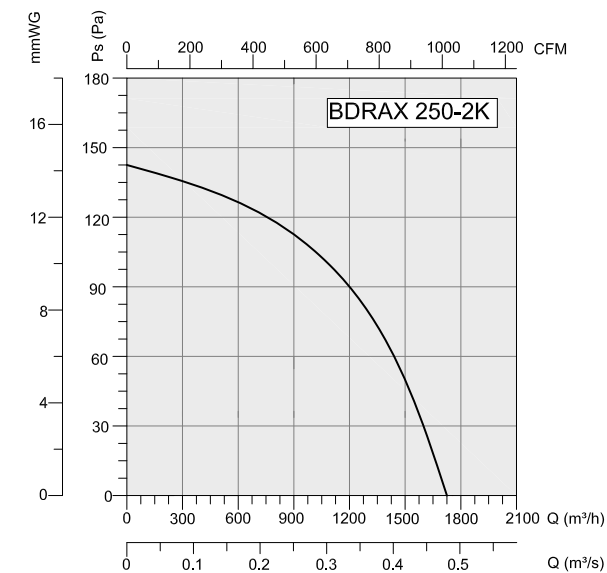
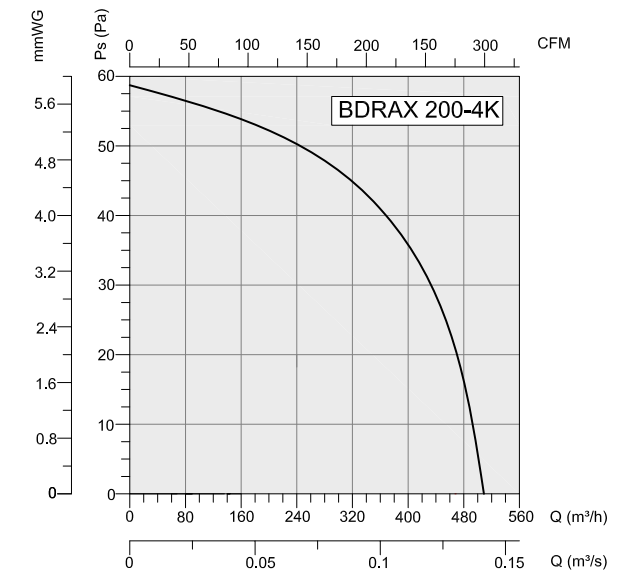
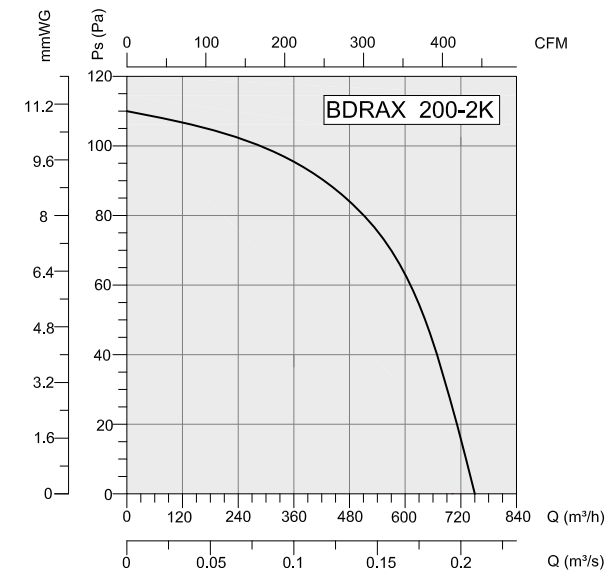
Accessories



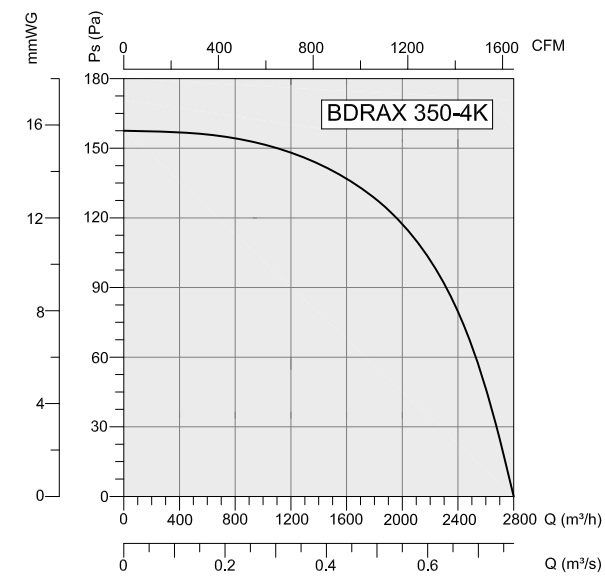
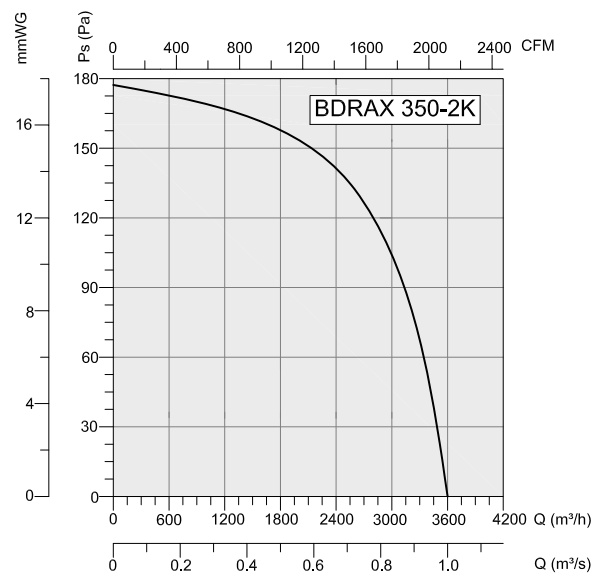
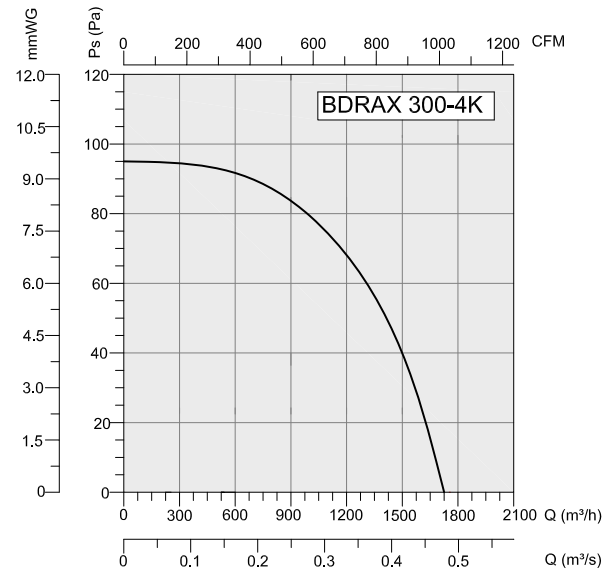
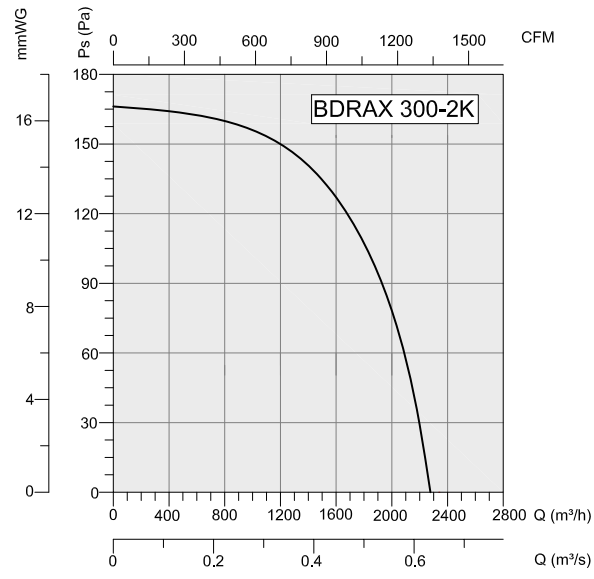
BSC

TYPE	A	B	C	D	E	F	G
BDRAX 200-2K	284	95	200	189	229	14	58
BDRAX 200-4K	284	95	200	189	229	14	58
BDRAX 250-2K	335	95	250	238	284	14	58
BDRAX 250-4K	335	95	250	238	284	14	58
BDRAX 300-2K	390	95	300	288	332	14	58
BDRAX 300-4K	390	95	300	288	332	14	58
BDRAX 350-2K	427	100	350	338	398	2	58
BDRAX 350-4K	427	100	350	338	398	2	58

Dimensions are in (mm)



TYPE	VOLTAGE	FREQUENCY	POWER	CAPACITOR	SPEED	AIR FLOW	SOUND PRESSURE LEVEL	WEIGHT
	V	Hz	KW	(µF)	rpm	m³/h	dB(A)	kg
BDRAX 200-2K	230	50	70	2.5	2650	750	57	2
BDRAX 200-4K	230	50	40	1	1380	520	51	2
BDRAX 250-2K	230	50	110	4	2615	1720	68	2.5
BDRAX 250-4K	230	50	50	1.5	1350	870	52	2.5
BDRAX 300-2K	230	50	160	5	2475	2300	70	3.4
BDRAX 300-4K	230	50	60	2	1320	1700	54	3.4
BDRAX 350-2K	230	50	170	5	2100	3600	74	4.5
BDRAX 350-4K	230	50	70	3	1350	2800	56	4.5



DUCT FANS

ROOF FANS

AXIAL FANS

RADIAL FANS

JET FANS

PLASTIC FANS

VENTILATORS

ACCESSORIES

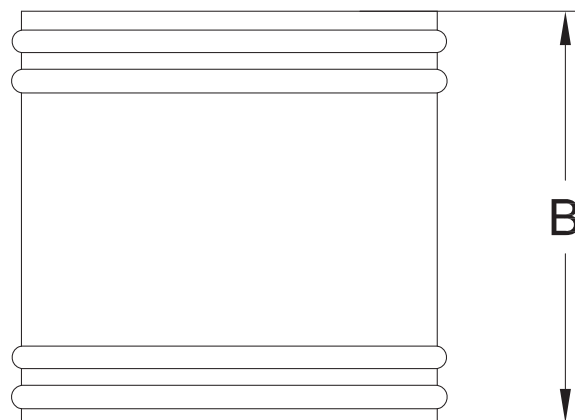
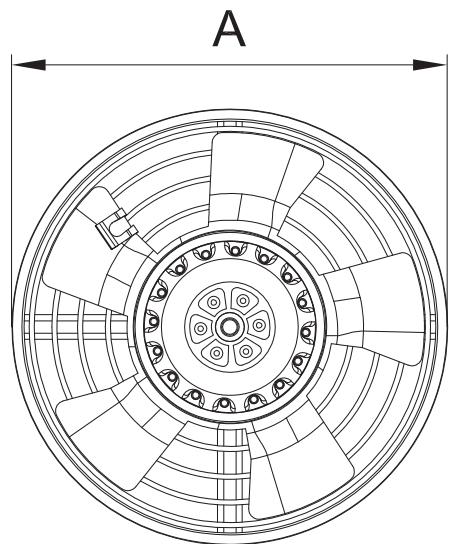
BORAX

AC AXIAL IN LINE DUCT FAN

BORAX fans are perfect for in-line ventilation applications. Protection grill prevent materials reach to blade, provides safe working.

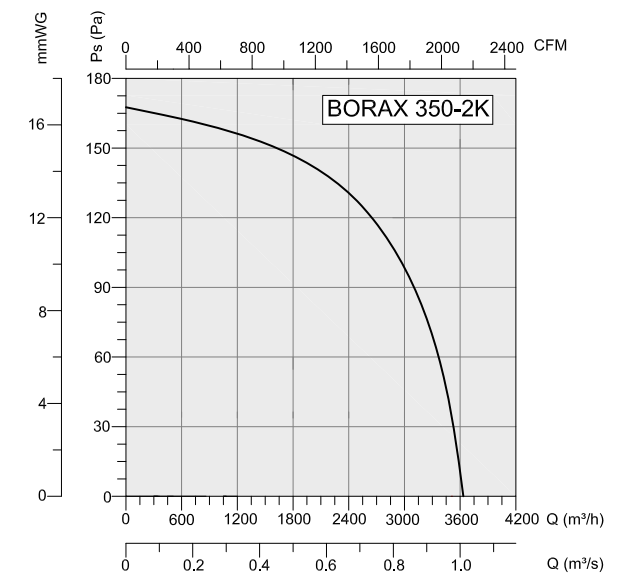
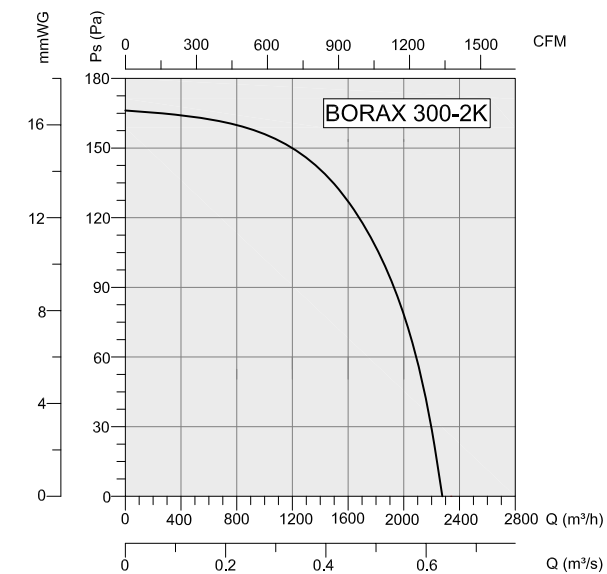
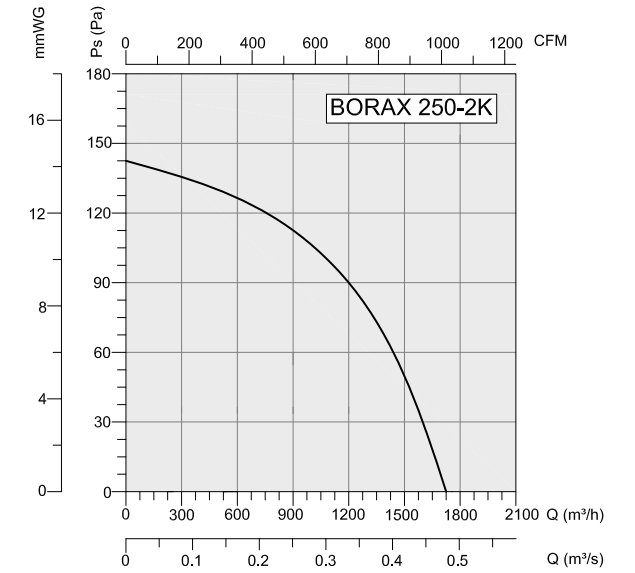
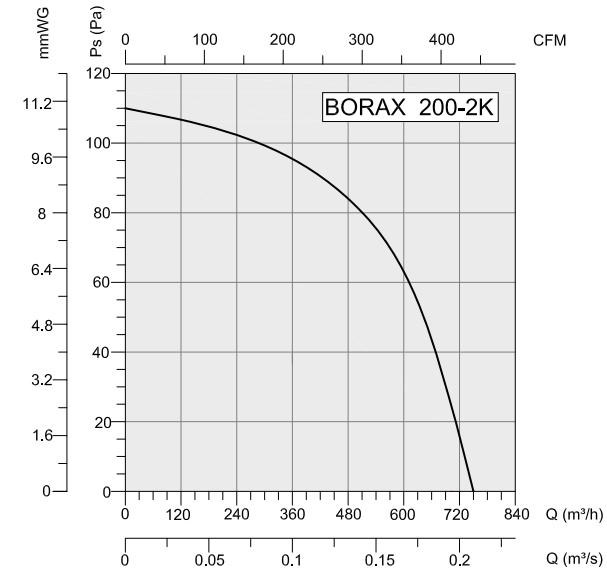
- MATERIAL** : Electrostatic Powder Coated impeller is made of sheet steel.Housing is galvanized sheet steel.
- INSULATION CLASS** : Class B
- DIRECTIVE** : EN 60335-1, EN 60335-2-80
- SPEED CONTROL** : Speed can be adjusted using an optional controller.
- APPLICATION AREAS** : Electrical Panel Cooling ,UPS systems, deep-freezers, cooling welding machines, residential ventilations etc.

Technical Drawing

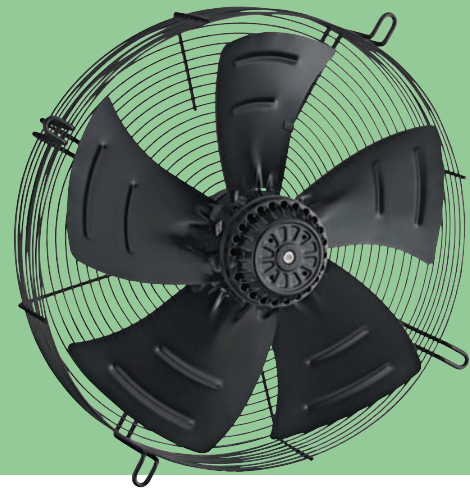


TYPE	A	B
BORAX 200-2K	200	200
BORAX 250-2K	250	245
BORAX 300-2K	300	245
BORAX 350-2K	350	245

Dimensions are in (mm)



TYPE	VOLTAGE	FREQUENCY	POWER	CAPACITOR	SPEED	AIR FLOW	SOUND PRESSURE LEVEL	WEIGHT
	V	Hz	W	(µF)	rpm	m³/h	dB(A)	kg
BORAX 200-2K	230	50	70	8	2650	750	50	7
BORAX 250-2K	230	50	100	8	2700	1720	52	7,4
BORAX 300-2K	230	50	163	8	2550	2300	54	8
BORAX 350-2K	230	50	240	8	2250	3650	58	9

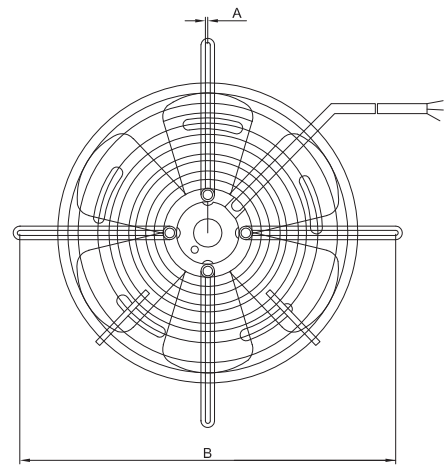
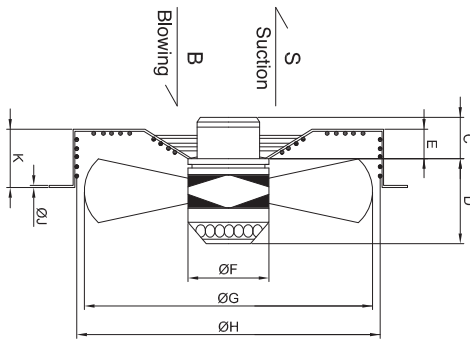


4M

AC COOLING FANS Single Phase

With suction and blowing types, 4M cooling fans work trouble-free at high performance.

Technical Drawing

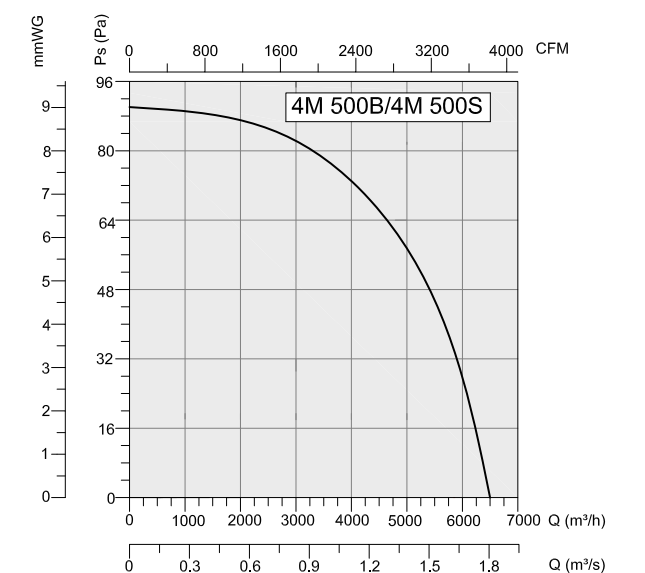
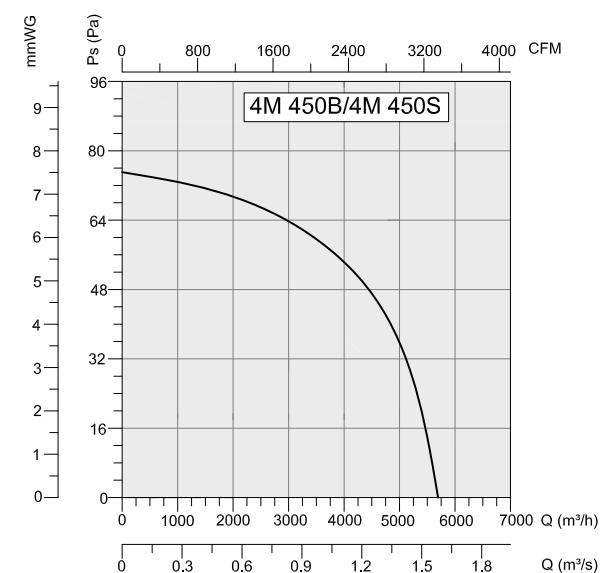
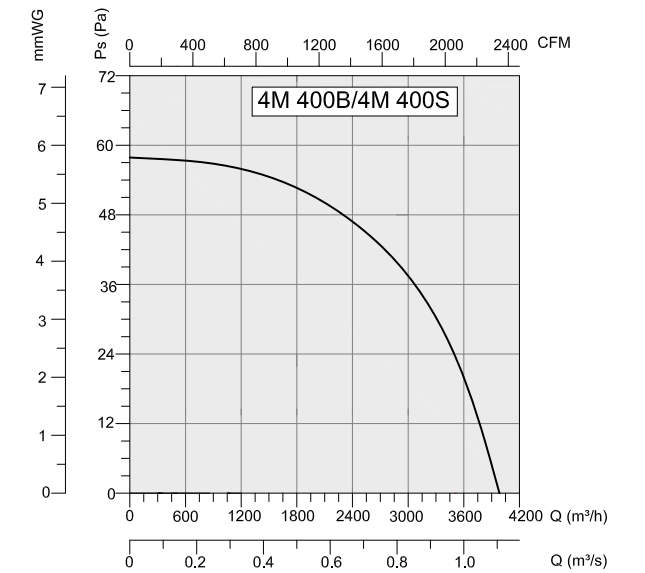
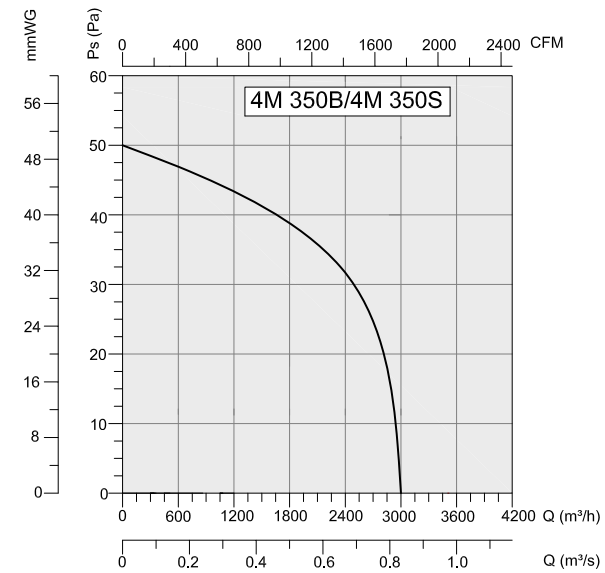
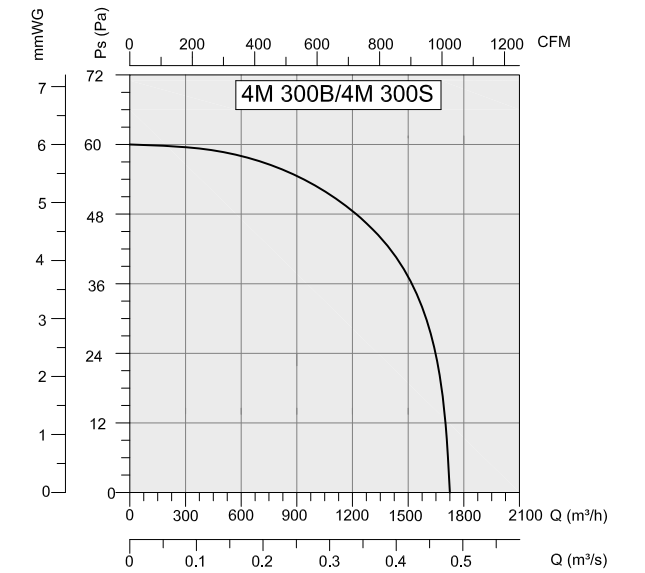
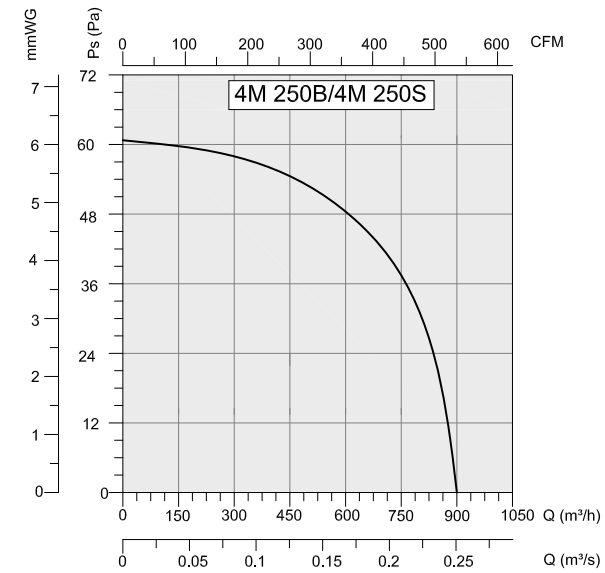


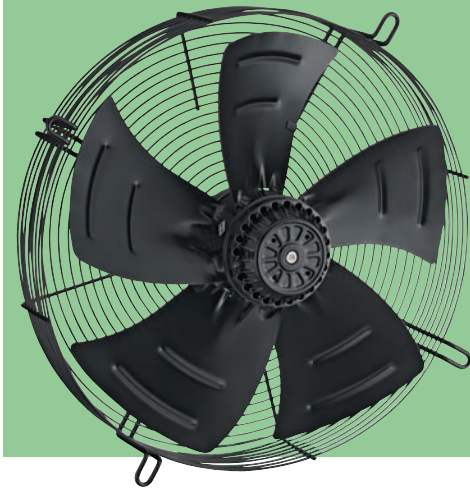
- MATERIAL** : Casing is made of electrostatic (black) powder coated sheet steel; impeller is made of sheet steel with an aerodynamic structure and connected to the motor.
- ROTATION** : CW (Clockwise)
- INSULATION CLASS** : Class B & Class F
- DIRECTIVE** : EN 60335-1, EN 60335-2-80
- APPLICATION AREAS** : Cooling units, laboratories, cooling towers, cold stores etc.

TYPE	VOLTAGE V	FREQUENCY Hz	POWER W	CAPACITOR (µF)	SPEED rpm	AIR FLOW m³/h	SOUND PRES-SURE LEVEL dB(A)	WEIGHT kg
4M 250B/S	230	50	60	3	1370	900	50	2.8
4M 300B/S	230	50	90	3	1370	1700	55	3.2
4M 350B/S	230	50	138	4	1370	2980	62	4.7
4M 400B/S	230	50	180	6	1350	4000	67	6.1
4M 450B/S	230	50	250	8	1380	5680	71	6.9
4M 500B/S	230	50	420	12	1320	6500	72	9.5

TYPE	A	B	C	D	E	F	G	H	J	K
4M 250	7	310	55	75	30	92	250	275	3	80
4M 300	7	360	55	82	30	92	300	322	4	80
4M 350	9	422	55	108	30	102	350	375	5	80
4M 400	9	470	55	121	30	102	391	422	5	90
4M 450	9	522	55	133	30	102	446	475	5	90
4M 500	10	567	65	127	30	138	449	525	6	90

Dimensions are in (mm)



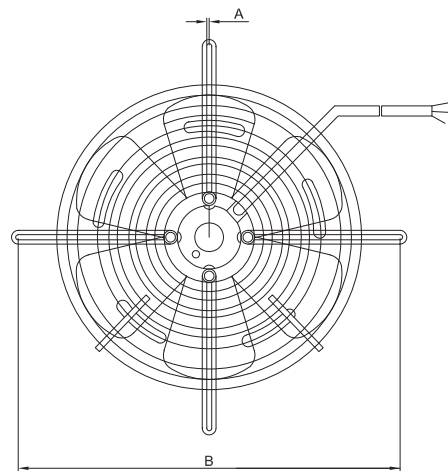
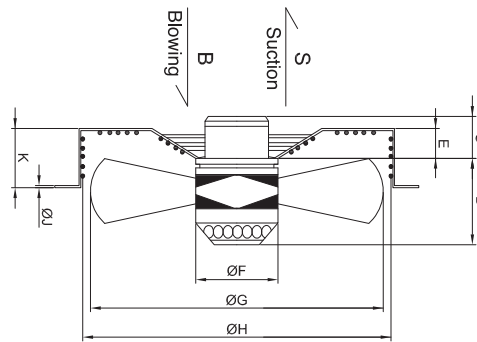


4T

AC COOLING FANS Three Phase

With suction and blowing types, 4T cooling fans work trouble-free at high performance.

Technical Drawing

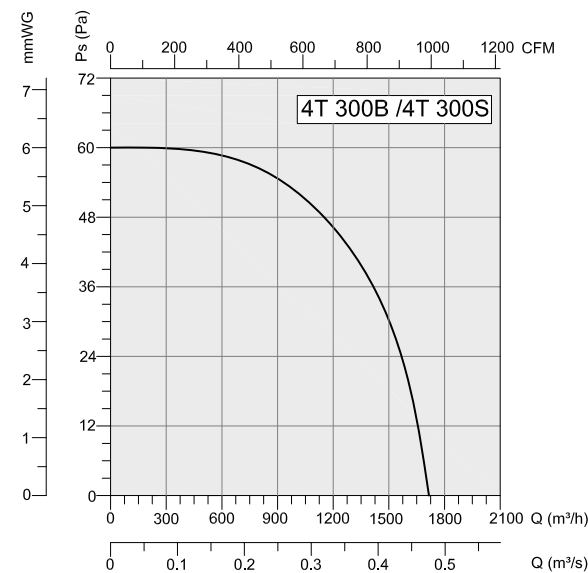


MATERIAL

: Casing is made of electrostatic (black) powder coated sheet steel; impeller is made of sheet steel with an aerodynamic structure and connected to the motor.

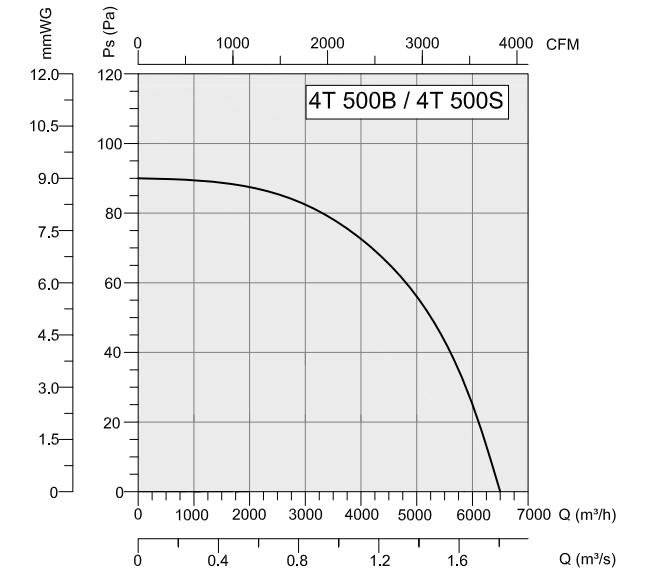
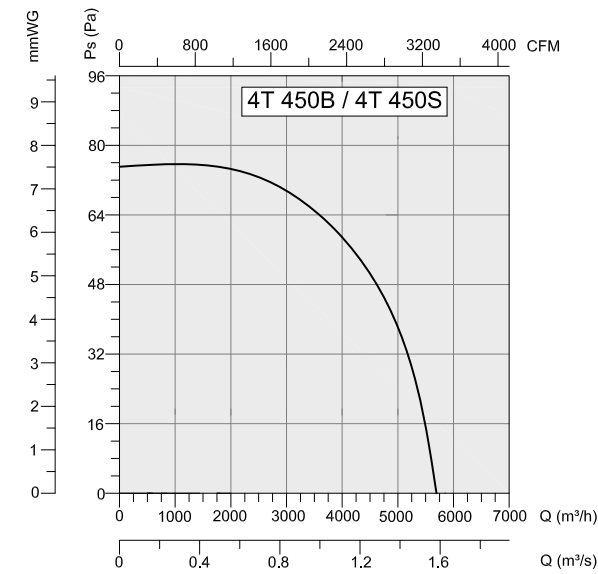
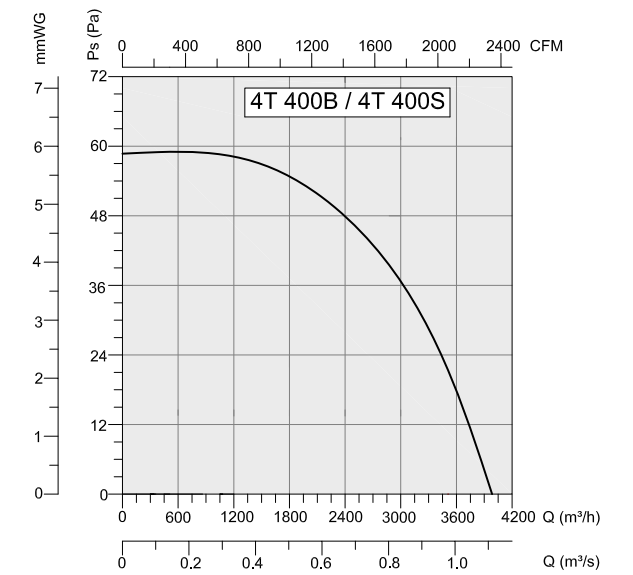
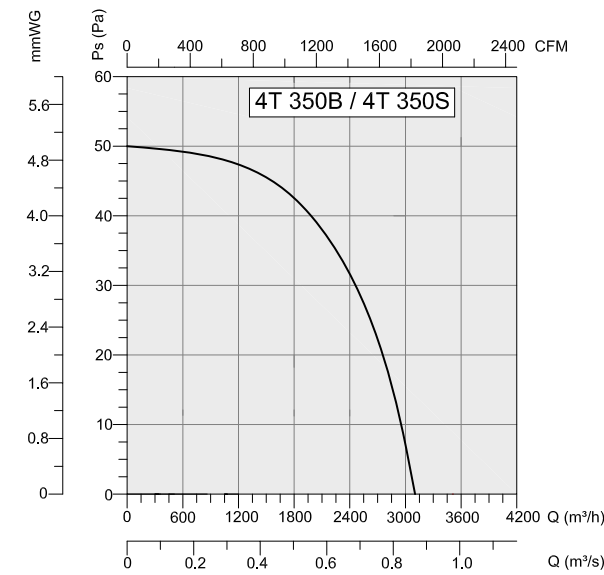
ROTATION INSULATION CLASS DIRECTIVE APPLICATION AREAS

: CW (Clockwise)
: Class F
: EN 60335-1, EN 60335-2-80
: Cooling units, laboratories, residents, industrial and commercial areas, cooling towers, shopping centers, cold stores etc.



TYPE	A	B	C	D	E	F	G	H	J	K
300	7	360	55	82	30	92	300	322	4	80
350	9	422	55	108	30	102	350	375	5	80
400	9	470	55	121	30	102	391	422	5	90
450	9	522	55	133	30	102	446	475	5	90
500	10	567	65	127	30	138	449	525	6	90

Dimensions are in (mm)



TYPE	VOLTAGE	FREQUENCY	POWER	CAPACITOR	SPEED	AIR FLOW	SOUND PRESSURE LEVEL	WEIGHT
	V	Hz	W	(µF)	rpm	m³/h	dB(A)	kg
4T 300B	380	50	95	-	1400	1700	55	3.2
4T 300S	380	50	95	-	1400	1700	55	3.2
4T 350B	380	50	145	-	1390	3100	62	4.7
4T 350S	380	50	145	-	1390	3100	62	4.7
4T 400B	380	50	190	-	1380	4000	67	6.1
4T 400S	380	50	190	-	1380	4000	67	6.1
4T 450B	380	50	250	-	1370	5680	71	6.9
4T 450S	380	50	250	-	1370	5680	71	6.9
4T 500B	380	50	450	-	1320	6580	72	9.5
4T 500S	380	50	450	-	1320	6580	72	9.5

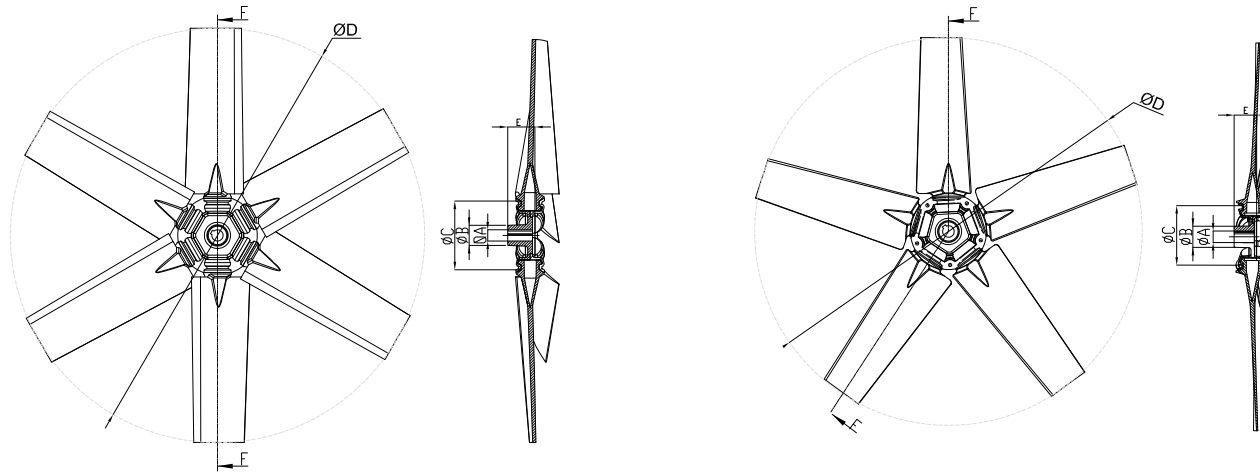


B5P/B6P

AC PLASTIC AXIAL BLADES
Adjustable Angles

The B5P, B6P Series of Axial Blades utilize wings with an airfoil profile. This profile is chosen for a wide range of applications including HVAC. Impeller has high diameter range to meet your specific application requirements. Temp. Range; -40C +100C

Technical Drawing



TYPE	ANGLE (α)	D	A	B	C	E
B6P 250	25°-30°-35°-42.5°	242	14	34	100	30
B6P 300	25°-30°-35°-42.5°	292	14	34	100	30
B6P 350	25°-30°-35°-42.5°	342	14	34	100	30
B6P 400	25°-30°-35°-42.5°	392	14	34	100	30
B6P 450	25°-30°-35°-42.5°	442	14	34	100	30
B6P 500	25°-30°-35°-42.5°	492	14	34	100	30
B6P 600	25°-30°-35°-42.5°	592	14	34	100	30

TYPE	ANGLE (α)	D	A	B	C	E
B5P 600	25°-30°-35°-42.5°	592	14	44	155	43
B5P 700	25°-30°-35°-42.5°	692	19	44	155	43
B5P 800	25°-30°-35°-42.5°	792	24	44	155	43
B5P 900	25°-30°-35°-42.5°	892	28	56.5	155	43
B5P 1000	25°-30°-35°-42.5°	992	32	56.5	155	43
B5P 1000B	25°-30°-35°-42.5°	992	38	56.5	155	43





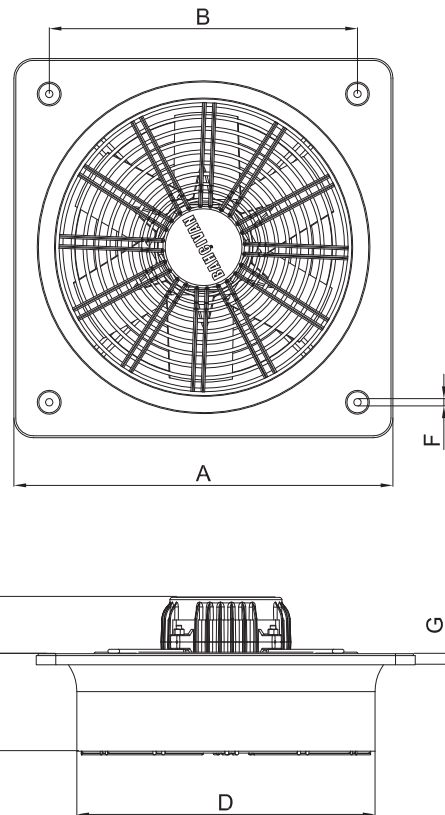
B6PA

AC WALL MOUNTED AXIAL FANS

Plastic Blade

Propellers are manufactured in ideal dimension and got maximum air flow. Designed to be installed directly into walls, ceiling or panels with it's square plate.

Technical Drawing



- MATERIAL** : The casing is made of electrostatic powder coated sheet metal, impeller is made of plastic.
- INSULATION CLASS** : Class B and Class F
- DIRECTIVE** : EN 60335-1, EN 60335-2-80
- SPEED CONTROL** : Speed can be adjusted using an optional controller.
- APPLICATION AREAS** : Factories, stock depots, dye-houses, shopping centers, big halls, etc.

Accessories

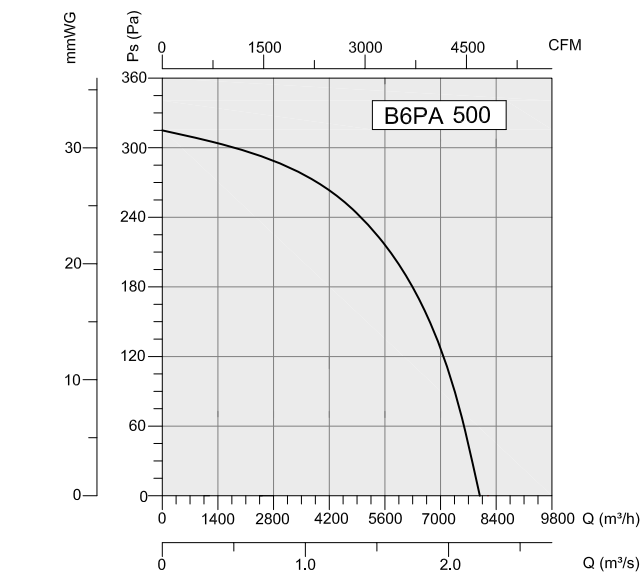
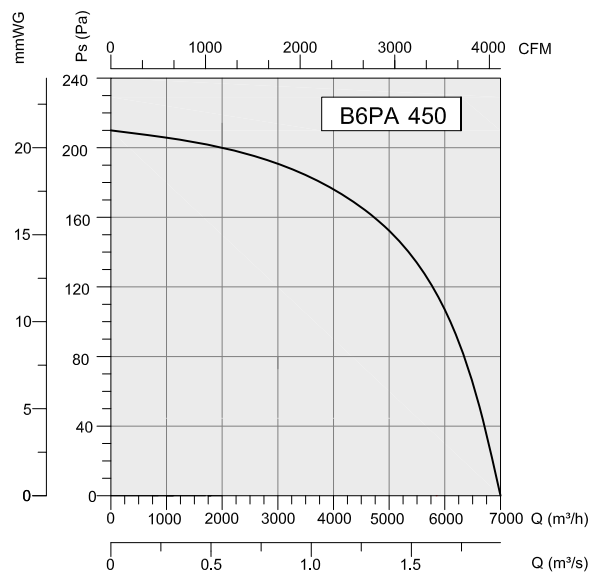
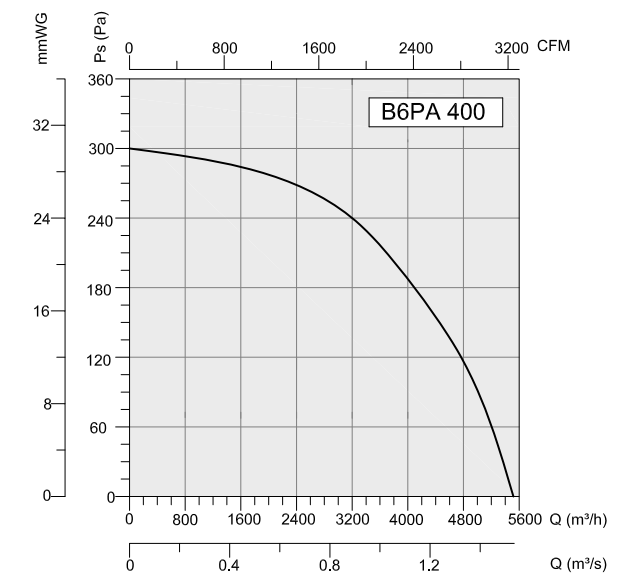
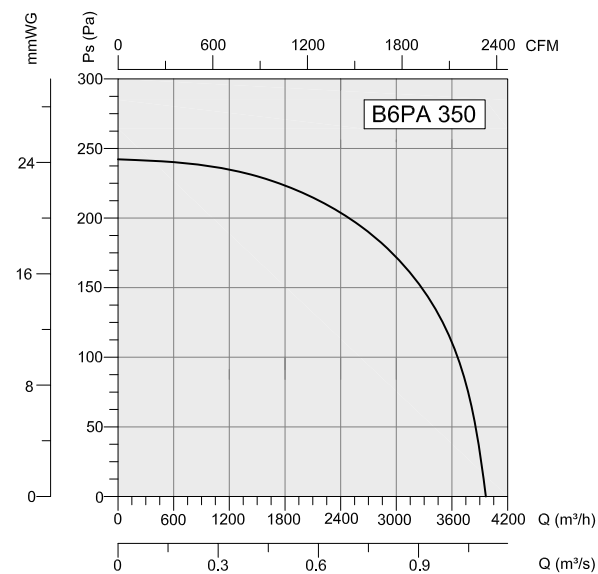
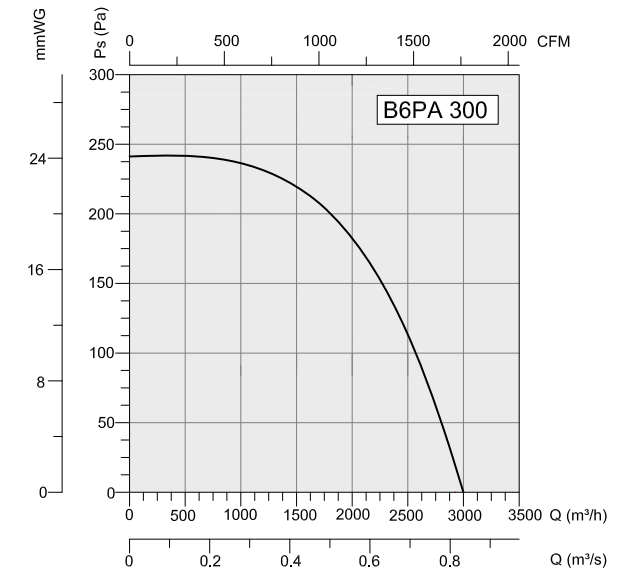
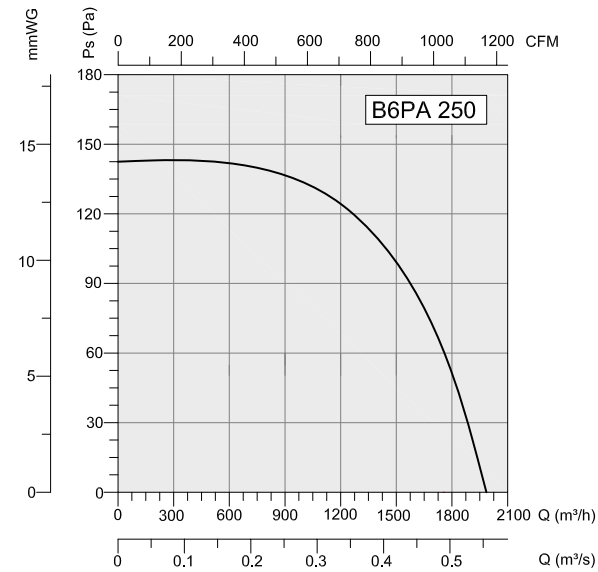


BSC

TYPE	VOLTAGE	FREQUENCY	POWER	SPEED	AIR FLOW	SOUND PRESSURE LEVEL	WEIGHT
	V	Hz	W	rpm	m ³ /h	dB(A)	kg
B6PAM 250/ B6PAT 250	230	50	180	1475	2000	54	7.8
B6PAM 300/ B6PAT 300	230	50	220	1445	3000	57	8.5
B6PAM 350/ B6PAT 350	230	50	240	1400	4000	60	8.9
B6PAM 400/ B6PAT 400	230	50	280	1350	5500	61	9.5
B6PAM 450/ B6PAT 450	230	50	330	1240	7000	63	10.7
B6PAM 500/ B6PAT 500	230	50	370	1130	8000	66	14.3

TYPE	A	B	C	D	E	F	G
B6PA 250	333	275	80	261	80	8.25	10
B6PA 300	412	336	80	307	80	8.25	10
B6PA 350	465	390	90	365	80	8.25	10
B6PA 400	500	420	100	403	80	8.25	10
B6PA 450	560	480	105	462	80	8.25	10
B6PA 500	630	561	110	513	90	8.25	10

Dimensions are in (mm)





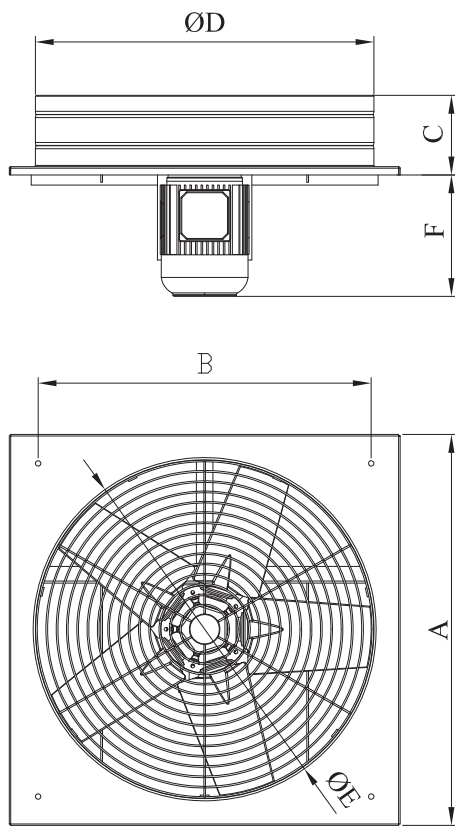
B5PA

AC WALL MOUNTED AXIAL FANS

Plastic Blade

Propellers are manufactured in ideal dimension and got maximum air flow. Designed to be installed directly into walls, ceiling or panels with it's square plate.

Technical Drawing



- MATERIAL** : The casing is made of electrostatic powder coated sheet metal, impeller is made of plastic.
- INSULATION CLASS** : Class B and Class F
- DIRECTIVE** : EN 60335-1, EN 60335-2-80
- SPEED CONTROL** : Speed can be adjusted using an optional controller.
- APPLICATION AREAS** : Factories, stock depots, dye-houses, shopping centers, big halls, etc.

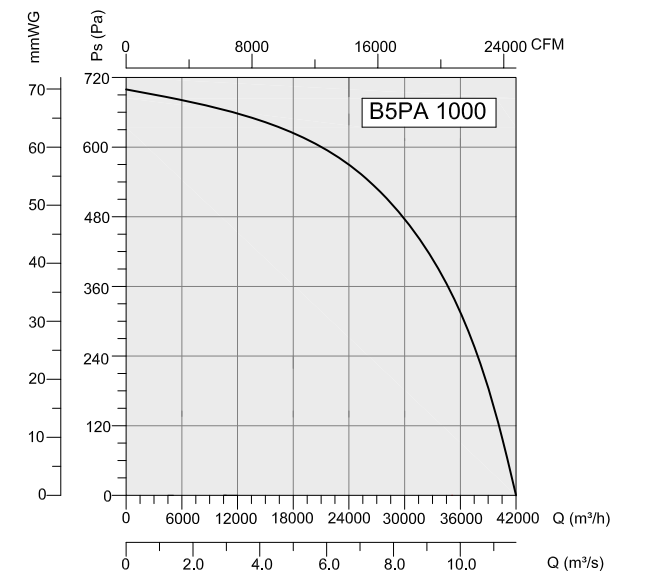
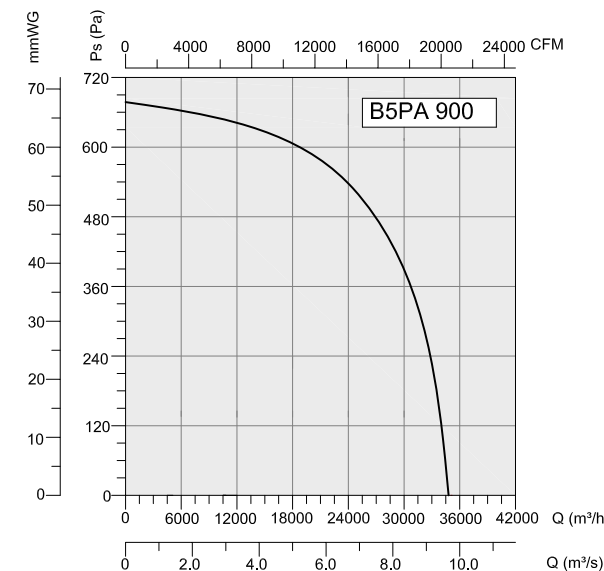
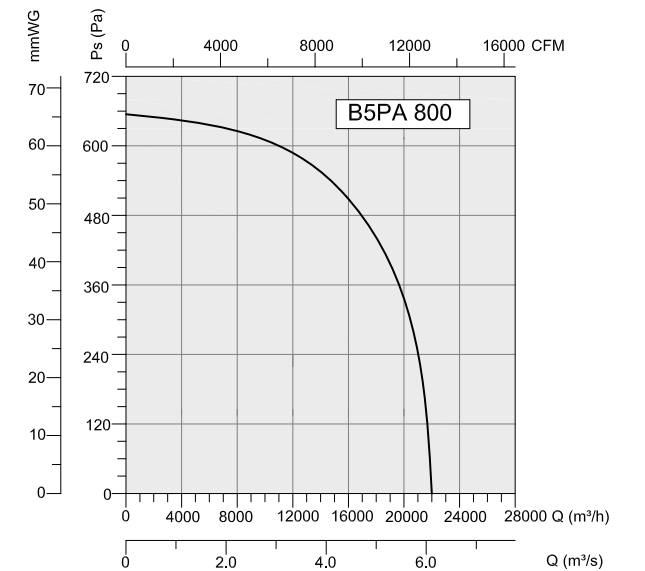
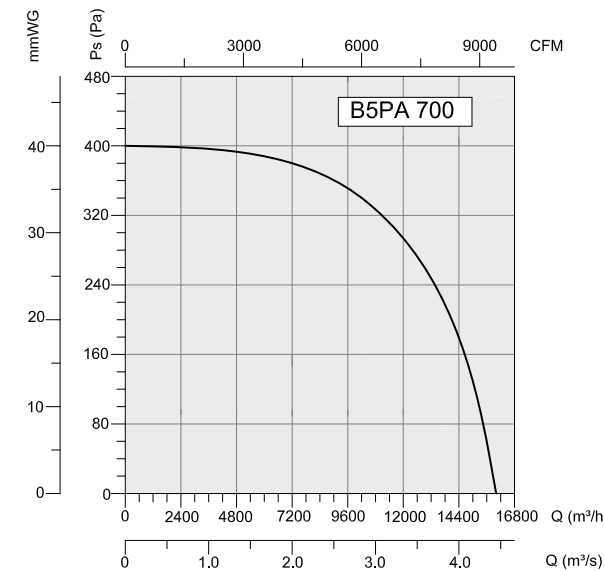
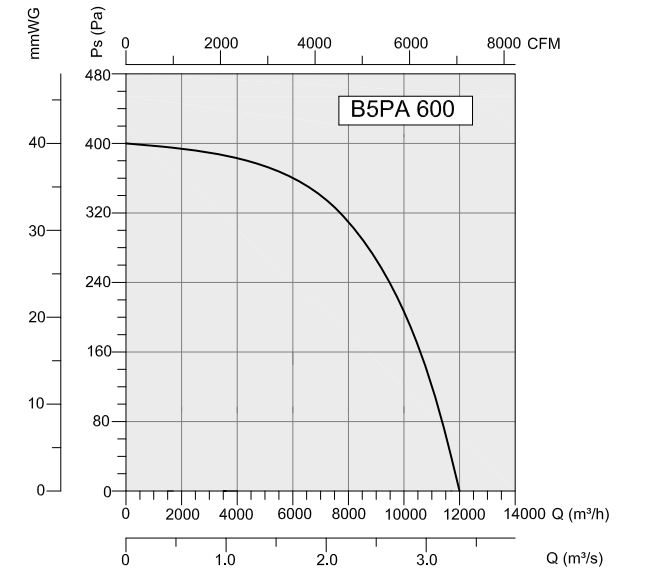
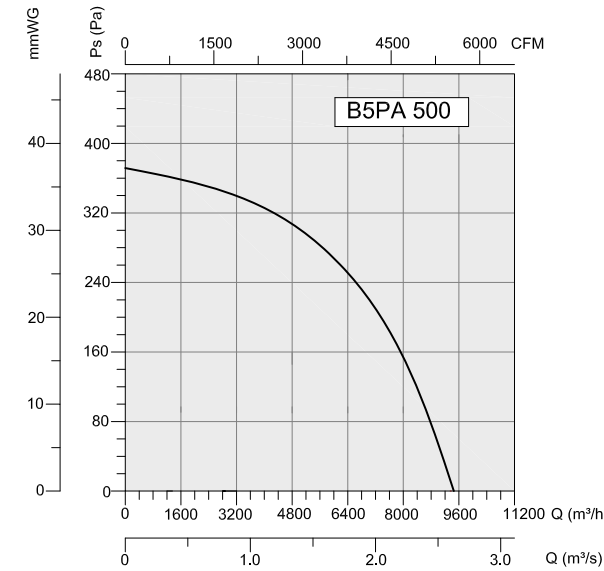
Accessories



TYPE	A	B	C	D	E	F
B5PA 500	600	460	125	510	492	239
B5PA 600	700	550	125	610	592	239
B5PA 700	800	640	170	730	690	259
B5PA 800	950	770	220	830	780	284
B5PA 900	1100	900	250	930	880	336
B5PA 1000	1200	960	250	1030	990	375

Dimensions are in (mm)

TYPE	VOLTAGE	FREQUENCY	POWER	SPEED	AIR FLOW	SOUND PRESSURE LEVEL	WEIGHT
	V	Hz	Kw	rpm	m ³ /h	dB(A)	kg
B5PAM 500/ B5PAT 500	230/380	50	0.55	1400	9500	69	16.6
B5PAM 600/ B5PAT 600	230/380	50	0.75	1400	12000	75	20.5
B5PAM 700/ B5PAT 700	230/380	50	1.1	1400	16000	82	33
B5PAM 800/ B5PAT 800	230/380	50	2.2	1400	22000	85	52
B5PAT 900	380	50	4	1400	35000	88	61
B5PAT 1000	380	50	5.5	1400	42000	91	90





BSM - BST

AC INDUSTRIAL AXIAL FANS

Directly coupled motor. (single phase–three phase) 6 blades with concave blade system. Suitable for mounting on wall and window.

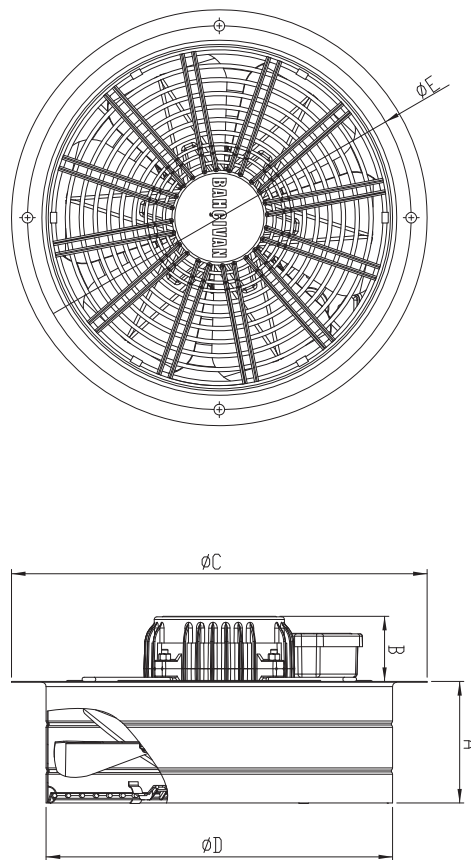
BSMS - BSTS

AC WALL MOUNTED AXIAL FANS

Directly coupled motor. (single phase–three phase) 6 blades with concave blade system. Suitable for mounting on wall and window. Easy installation due to it's square plate.



Technical Drawing



- MATERIAL** : Housing is made of electrostatic powder coated sheet metal, impeller is made of sheet metal with concave blade system
- INSULATION CLASS** : Class B
- DIRECTIVE** : EN 60335-1, EN 60335-2-80
- SPEED CONTROL** : Speed can be adjusted using an optional controller.
- APPLICATION AREAS** : Factories, depots, dyehouses, shopping centers, workshops(plants) etc.

TYPE	VOLTAGE	FREQUENCY	POWER	SPEED	AIR FLOW	SOUND PRESSURE LEVEL	WEIGHT
	V	Hz	W	rpm	m ³ /h	dB(A)	kg
BSM 250-2K / BST 250-2K	230/380	50	190	2900	2200	65	7.4
BSM 250 / BST 250	230/380	50	160	1465	1200	52	7.4
BSM 300 / BST 300	230/380	50	210	1400	2000	54	8
BSM 350 / BST 350	230/380	50	200	1400	3250	58	8.2
BSM 400 / BST 400	230/380	50	210	1420	4500	59	8.8
BSM 450 / BST 450	230/380	50	230	1385	5000	60	10
BSM 500 / BST 500	230/380	50	260	1335	5500	62	11
BSM 550 / BST 550	230/380	50	230	1350	6000	63	14.6
BSM 600 / BST 600	230/380	50	250	1370	8000	65	15.6

TYPE	A	B	C	D	E
BSM 250-2K / BST 250-2K	114	61	304	251	277
BSM 250 / BST 250	114	61	304	251	277
BSM 300 / BST 300	114	61	390	325	360
BSM 350 / BST 350	114	61	435	374	405
BSM 400 / BST 400	114	61	485	427	455
BSM 450 / BST 450	114	61	546	470	516
BSM 500 / BST 500	125	61	590	518	560
BSM 550 / BST 550	130	160	624	560	595
BSM 600 / BST 600	130	160	674	610	645

Dimensions are in (mm)

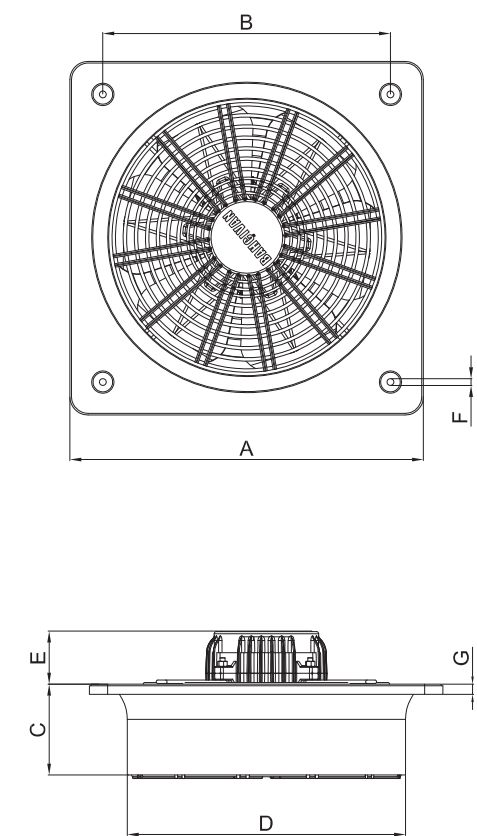
- MATERIAL** : Housing is made of electrostatic powder coated sheet metal as square shaped, impeller is made of sheet metal with concave blade system.
- INSULATION CLASS** : Class B
- DIRECTIVE** : EN 60335-1, EN 60335-2-80
- SPEED CONTROL** : Speed can be adjusted using an optional controller.
- APPLICATION AREAS** : Factories, depots, dyehouses, shopping centers, workshops(plants) etc.

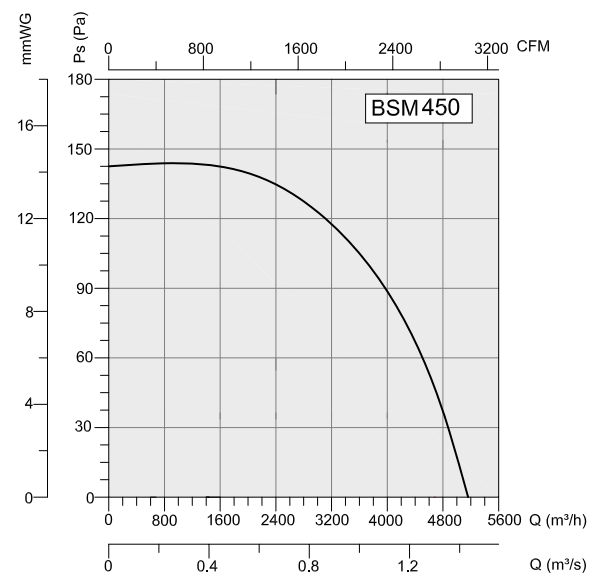
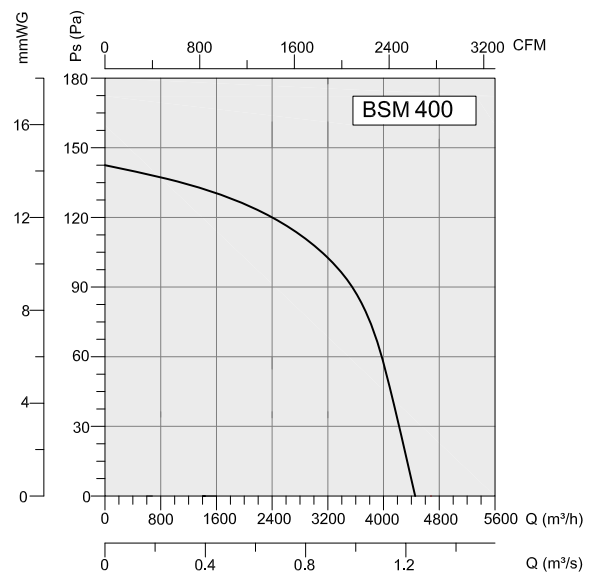
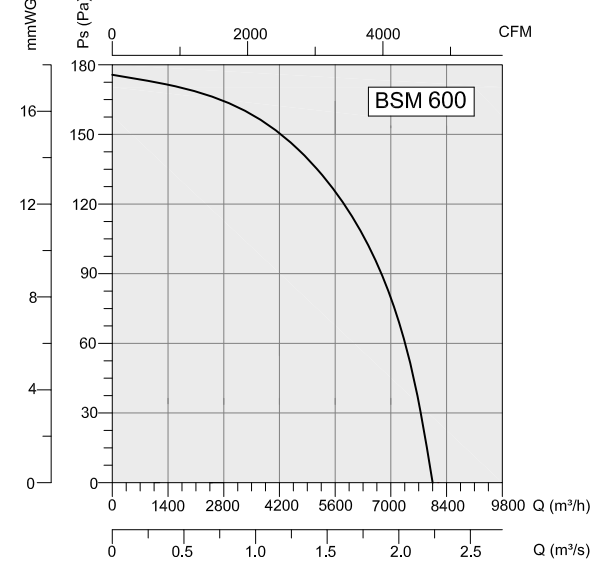
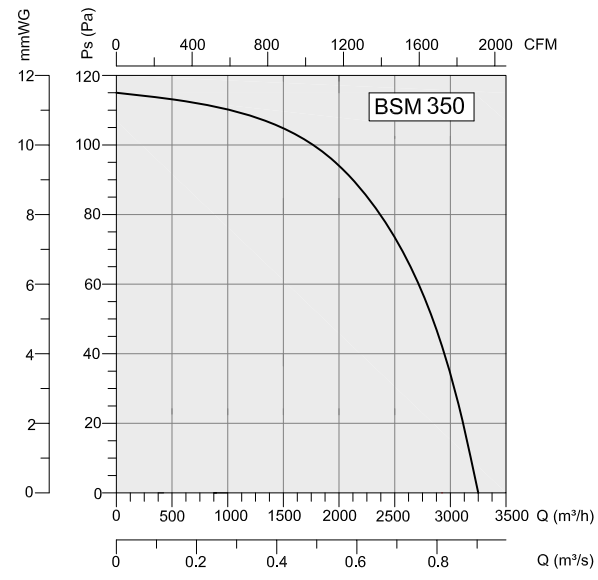
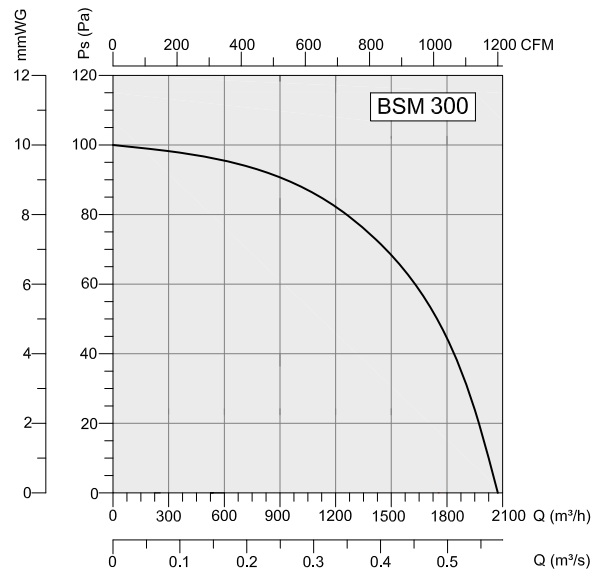
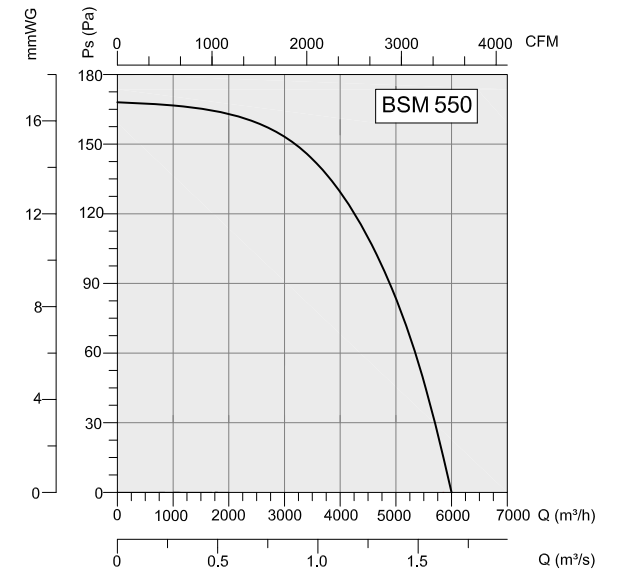
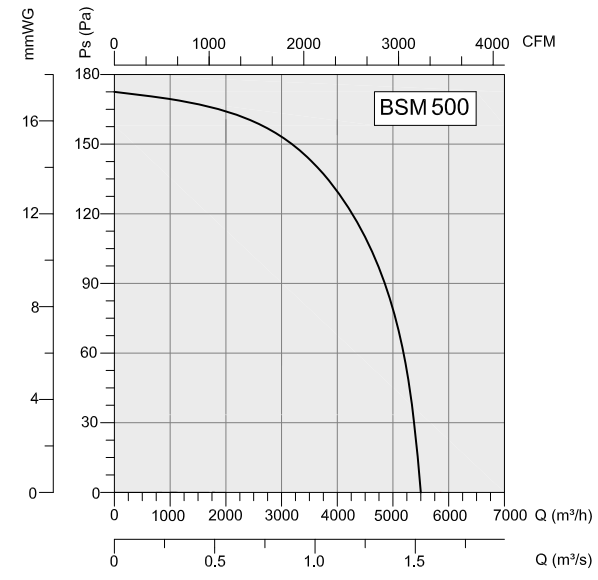
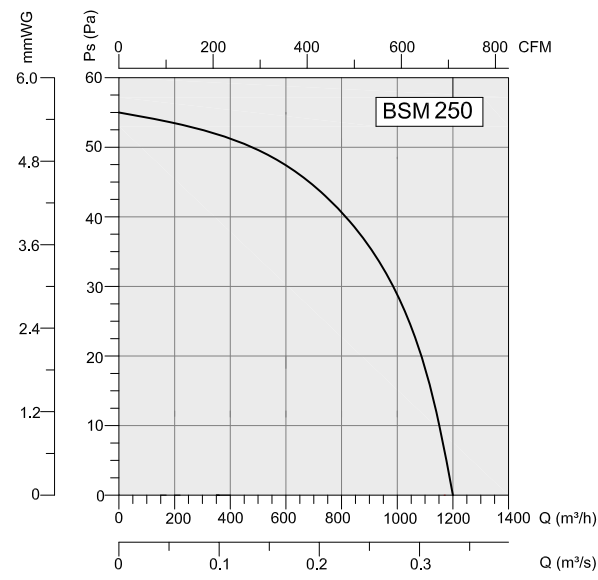
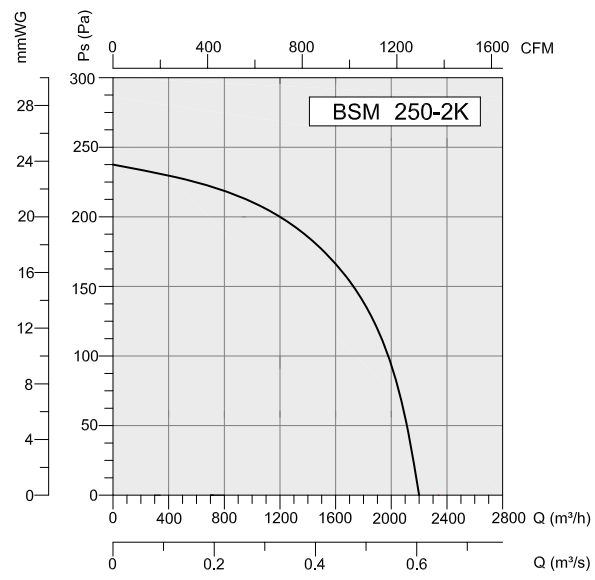
TYPE	VOLTAGE	FREQUENCY	POWER	SPEED	AIR FLOW	SOUND PRESSURE LEVEL	WEIGHT
	V	Hz	W	rpm	m ³ /h	dB(A)	kg
BSMS 250-2K / BSTS 250-2K	230	50	190	2900	2200	65	7.4
BSMS 250 / BSTS 250	230	50	160	1465	1200	52	7.4
BSMS 300 / BSTS 300	230	50	210	1400	2000	54	8
BSMS 350 / BSTS 350	230	50	200	1400	3250	58	8.2
BSMS 400 / BSTS 400	230	50	210	1420	4500	59	8.8
BSMS 450 / BSTS 450	230	50	230	1385	5000	60	10
BSMS 500 / BSTS 500	230	50	260	1335	5500	62	11
BSMS 550 / BSTS 550	230	50	230	1350	6000	63	14.6
BSMS 600 / BSTS 600	230	50	250	1370	8000	65	15.6

TYPE	A	B	C	D	E	F	G
BSMS 250-2K / BSTS 250-2K	333	275	80	261	80	8.25	10
BSMS 250 / BSTS 250	333	275	80	261	80	8.25	10
BSMS 300 / BSTS 300	333	275	80	261	80	8.25	10
BSMS 350 / BSTS 350	412	336	80	307	80	8.25	10
BSMS 400 / BSTS 400	465	390	90	365	80	8.25	10
BSMS 450 / BSTS 450	500	420	100	403	80	8.25	10
BSMS 500 / BSTS 500	560	480	105	462	80	8.25	10
BSMS 550 / BSTS 550	630	561	110	513	90	8.25	10
BSMS 600 / BSTS 600	700	631	125	563	90	8.25	10

Dimensions are in (mm)

Technical Drawing





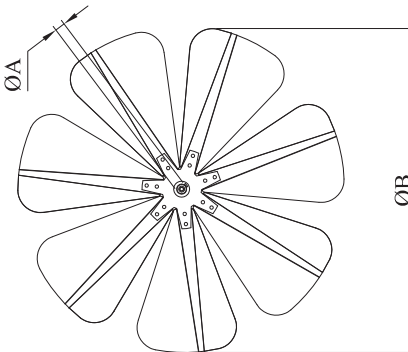
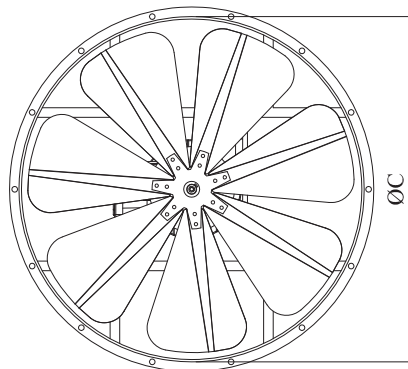
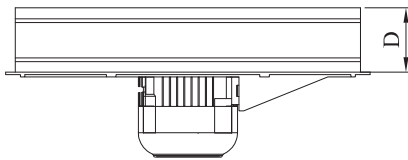


BA 7

AC INDUSTRIAL AXIAL FANS 7 Blades

Directly coupled motor. 7 blades with Concave blade system. Suitable for mounting on wall and window.

Technical Drawing



- MATERIAL** : Housing is made of electrostatic powder coated sheet metal, impeller is made of sheet metal with concave blade system.
- INSULATION CLASS** : Class B and Class F
- DIRECTIVE** : EN 60335-1, EN 60335-2-80
- SPEED CONTROL** : Speed can be adjusted using an optional controller.
- APPLICATION AREAS** : Factories, depots, dyehouses, shopping centers, workshops(plants) etc. Places where big volume air needed to ventilated.

TYPE	A	B	C	D
BA 7M - 7T 300	14	300	330	100
BA 7M - 7T 350	14	350	380	120
BA 7M - 7T 400	14	400	430	120
BA 7M - 7T 450	14	450	480	130
BA 7M - 7T 500	14	500	530	140
BA 7M - 7T 550	19	550	580	150
BA 7M - 7T 600	19	600	630	150
BA 7M - 7T 650	24	650	680	150
BA 7M - 7T 700	24	700	730	170
BA 7M - 7T 750	28	750	780	170
BA 7M - 7T 800	28	800	830	220

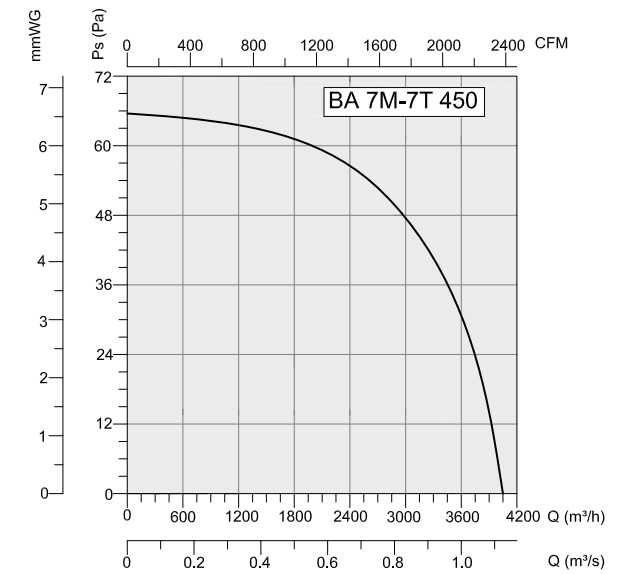
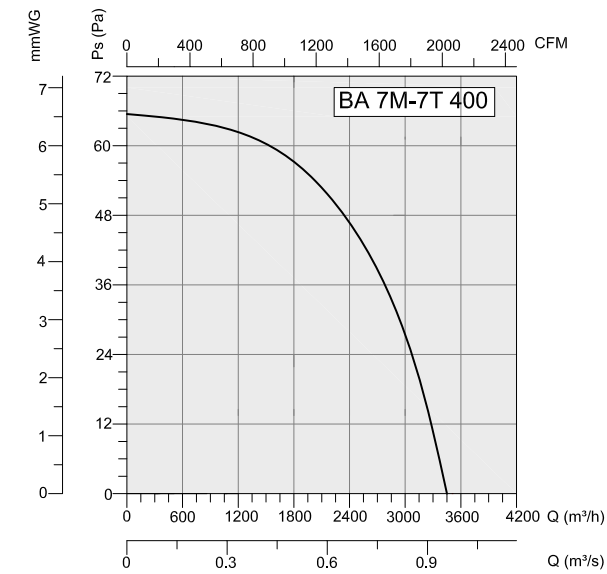
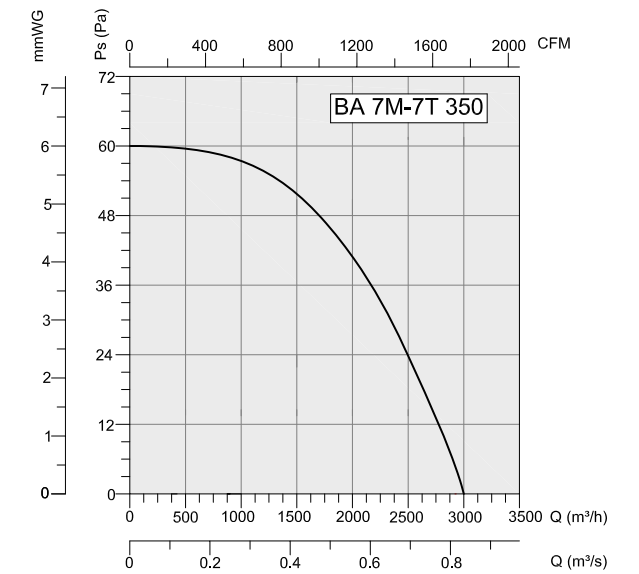
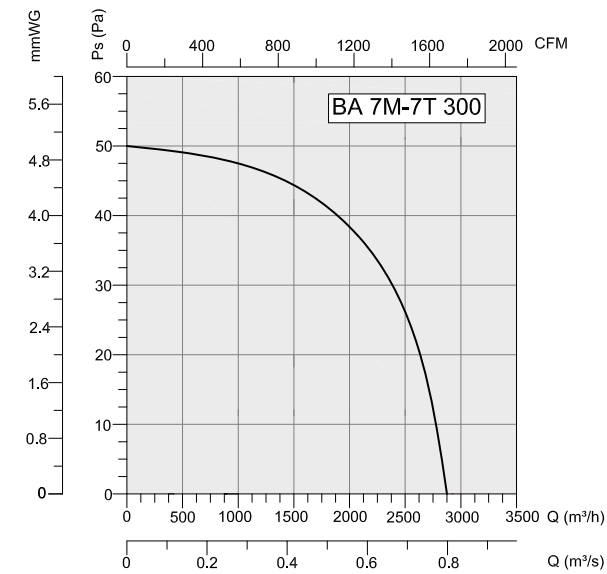
Dimensions are in (mm)

Accessories

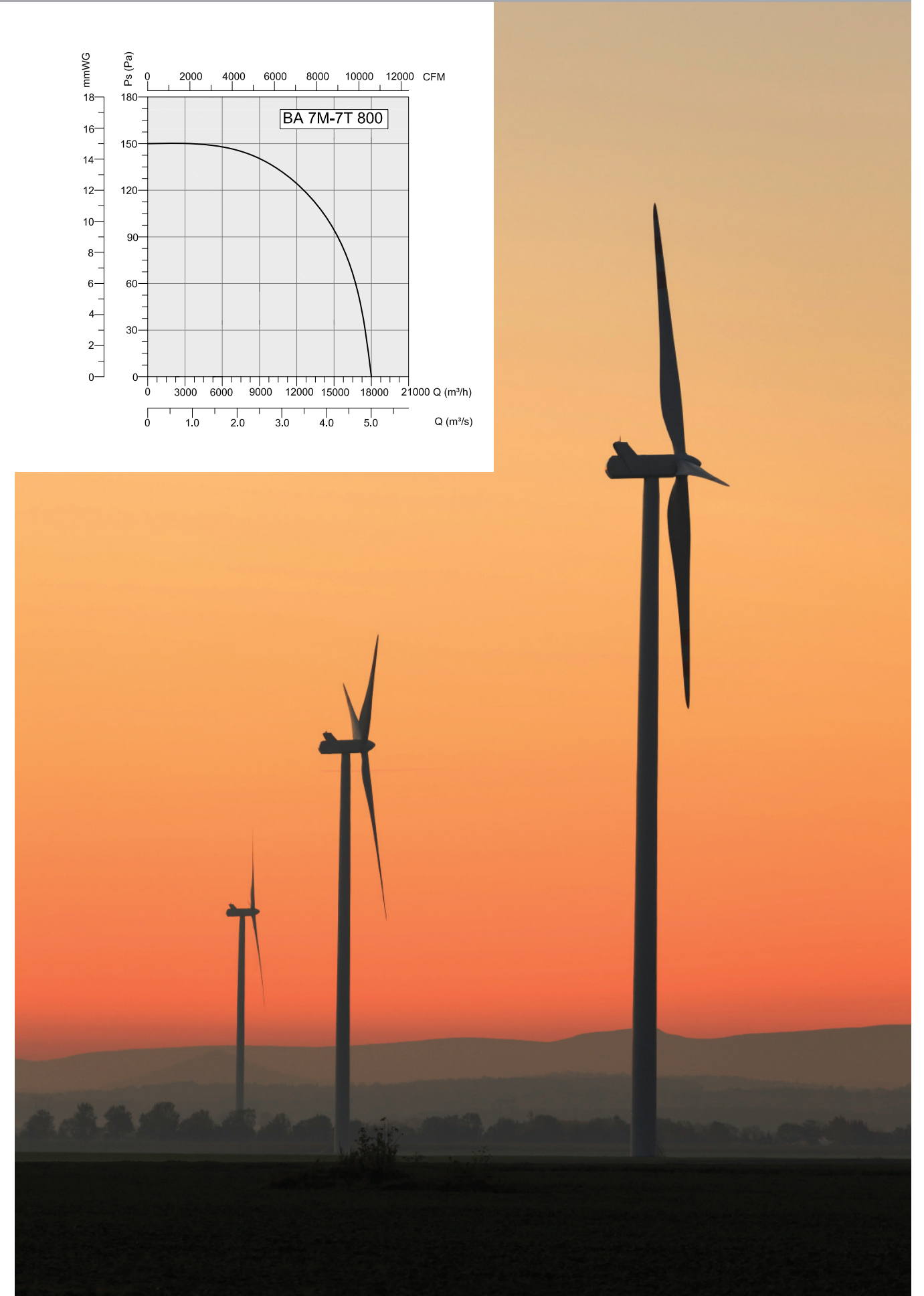
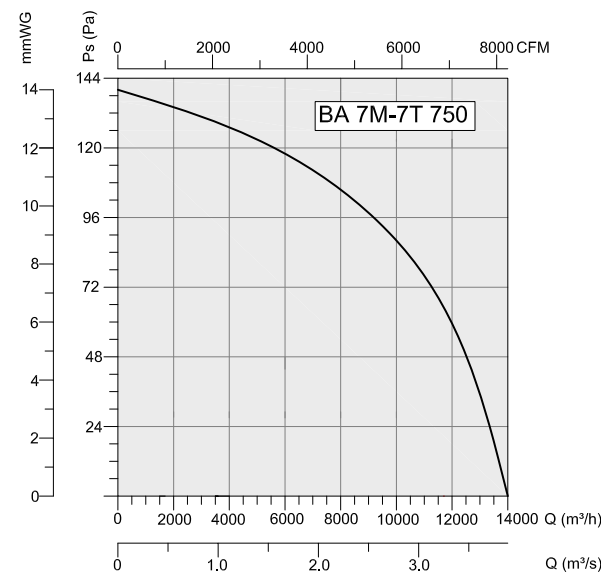
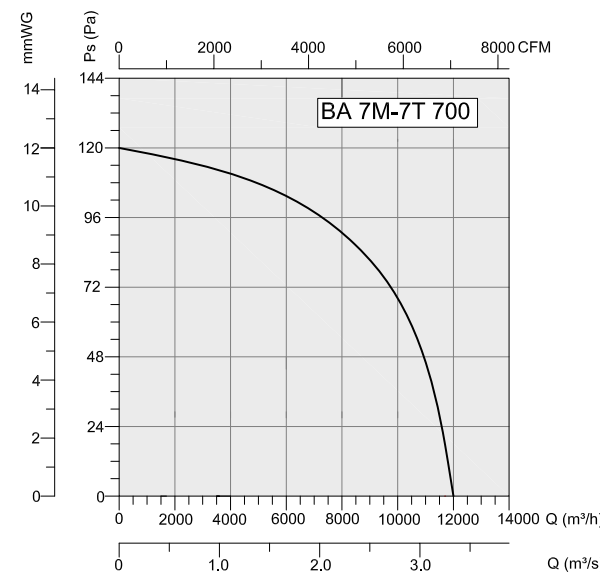
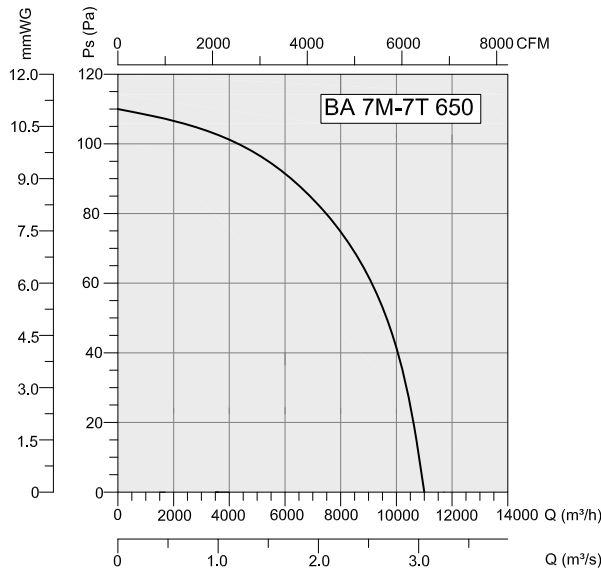
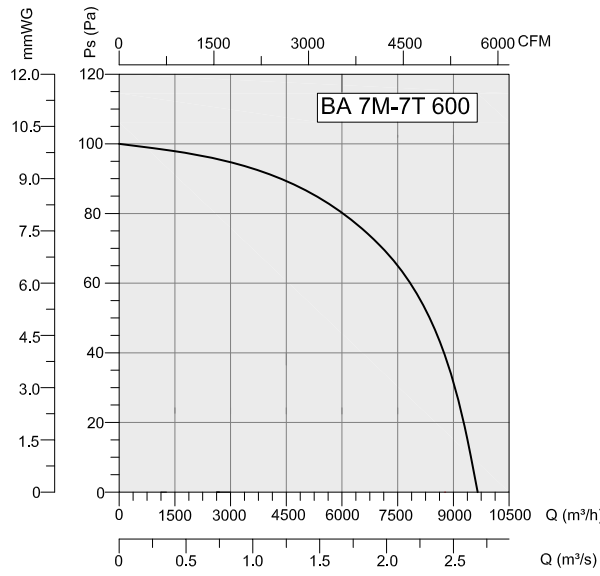
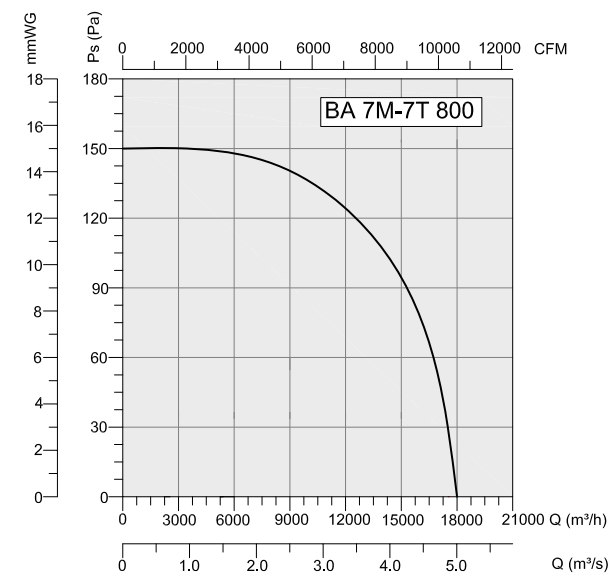
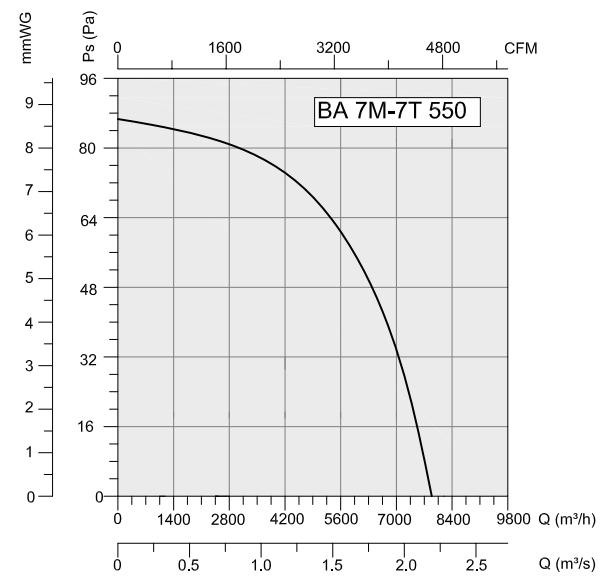
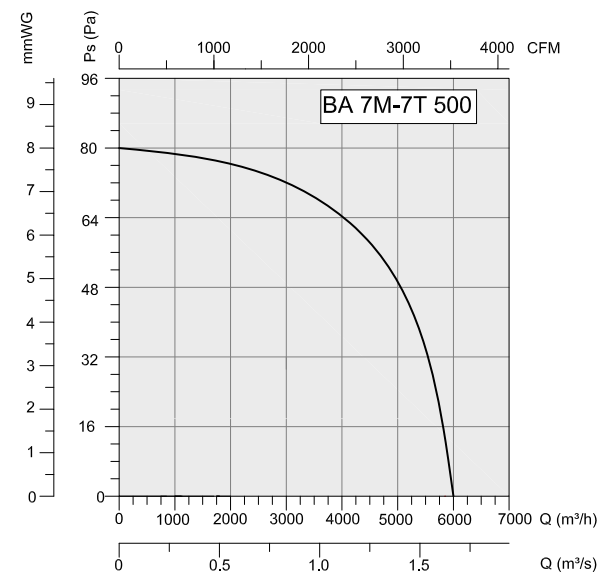


BASP

BSC-F



TYPE	VOLTAGE	FREQUENCY	POWER	CAPACITOR	SPEED	AIR FLOW	SOUND PRESSURE LEVEL	WEIGHT
	V	Hz	Kw	(µF)	rpm	m³/h	dB(A)	kg
BA 7M - 7T 300	230/380	50	0.25	-	1400	2750	-	-
BA 7M - 7T 350	230/380	50	0.25	-	1400	3000	-	-
BA 7M - 7T 400	230/380	50	0.25	-	1400	3500	-	-
BA 7M - 7T 450	230/380	50	0.25	-	1400	4000	-	-
BA 7M - 7T 500	230/380	50	0.37	-	1400	6000	-	-
BA 7M - 7T 550	230/380	50	0.55	-	1400	7875	-	-
BA 7M - 7T 600	230/380	50	0.55	-	1400	9500	-	-
BA 7M - 7T 650	230/380	50	1.1	-	1400	11000	-	-
BA 7M - 7T 700	230/380	50	1.5	-	1400	12000	-	-
BA 7M - 7T 750	230/380	50	2.2	-	1400	14000	-	-
BA 7M - 7T 800	230/380	50	3	-	1400	18000	-	-



- DUCT FANS
- ROOF FANS
- AXIAL FANS
- RADIAL FANS
- JET FANS
- PLASTIC FANS
- VENTILATORS
- ACCESSORIES



BTF-S/BTF-M BTF-L

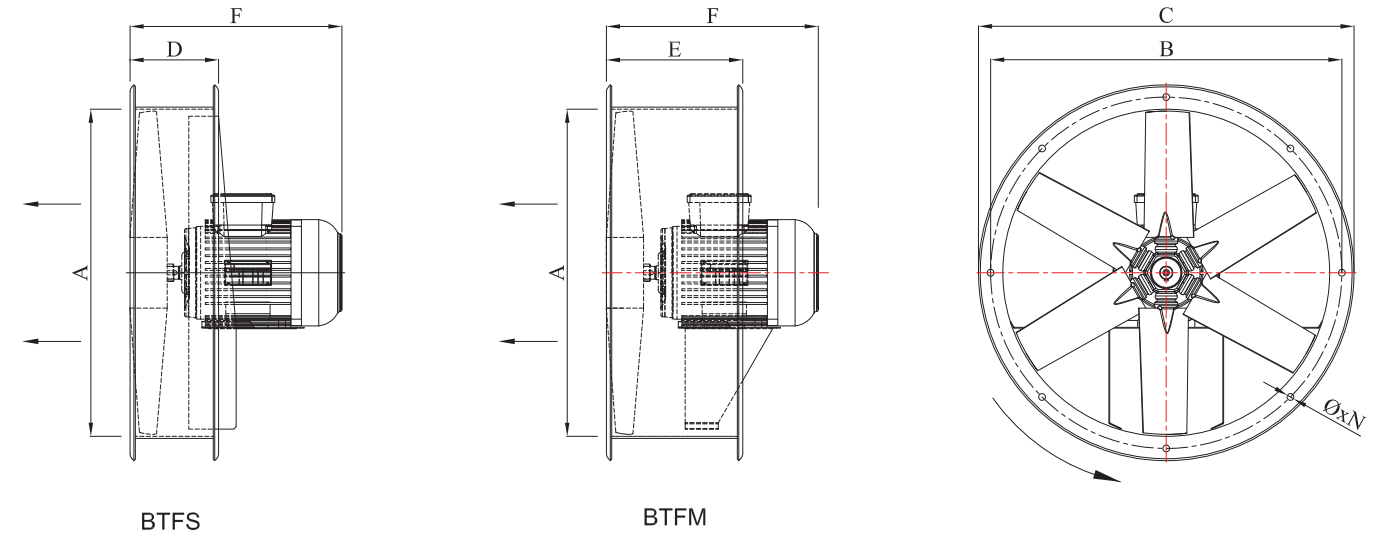
AC TUBE FANS

Tube Fans are manufactured between diameters 315 mm-1400 mm and with different blade angles combinations. Single and Double speed motors (-40 +60) / heat resistant smoke exhaust fan F400 2h / Exproof Fan
Airflow: 2100-107000 m³/h
Pressure: 60-950 mmWC
Direct coupled motor (Single Phase-Three Phase)

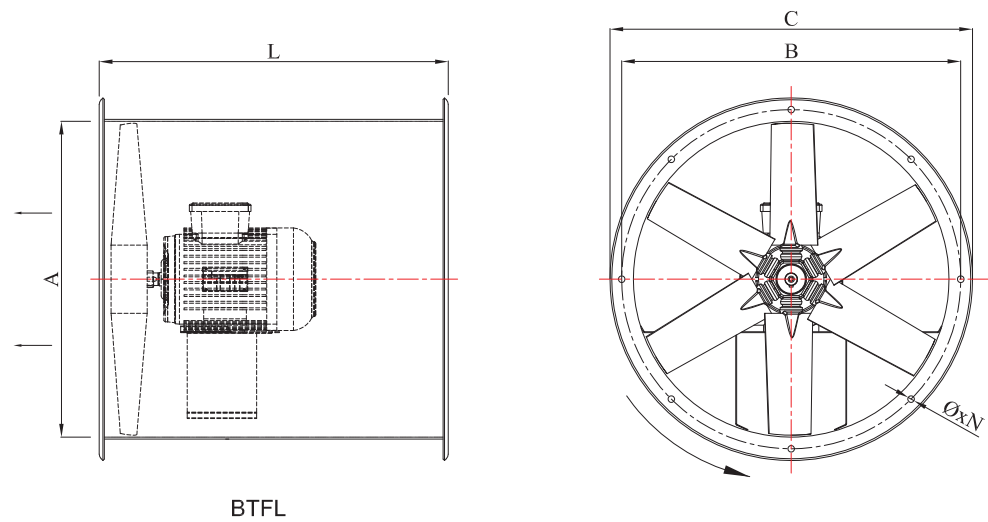
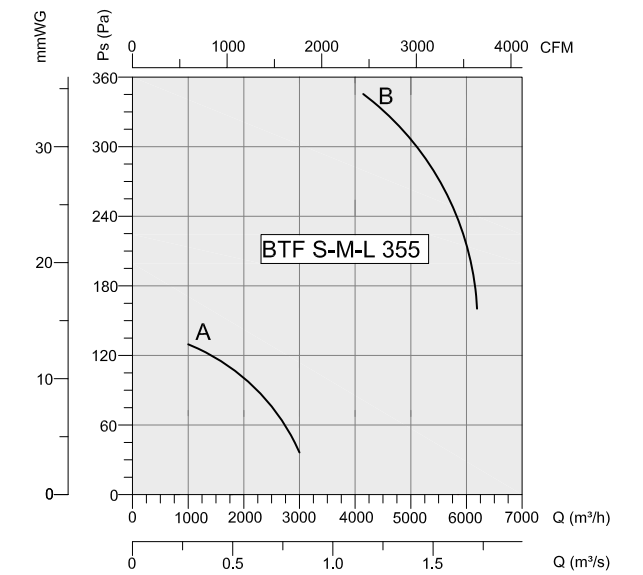
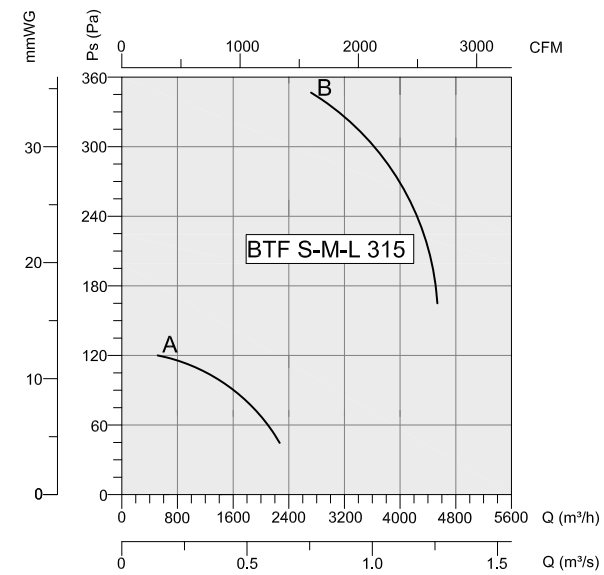
- MATERIAL** : Housing is made of electrostatic powder coated St 37.2 sheet steel. Can be manufactured with legs upon request. Impeller is made of special mixed aluminum injected (RA-MAX) ABS plastics, also can be manufactured reversible and adjustable angles option.
- INSULATION CLASS** : Class F
- MOTOR** : Single and Double speed. Heat Resistant motors of F400 2h and exproof motors are used.
- DIRECTIVE** : EN 60335-1, EN 60335-2-80
- SPEED CONTROL** : Speed can be adjusted using an optional controller.
- APPLICATION AREAS** : In the middle or at the end of duct applications, technical, industrial, commercial applications, wet and dusty areas, foundries, paper or wood factories, cooling towers etc.



Technical Drawing

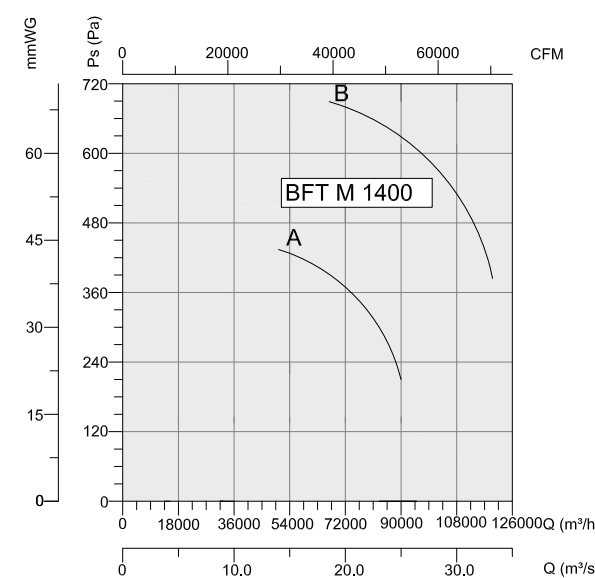
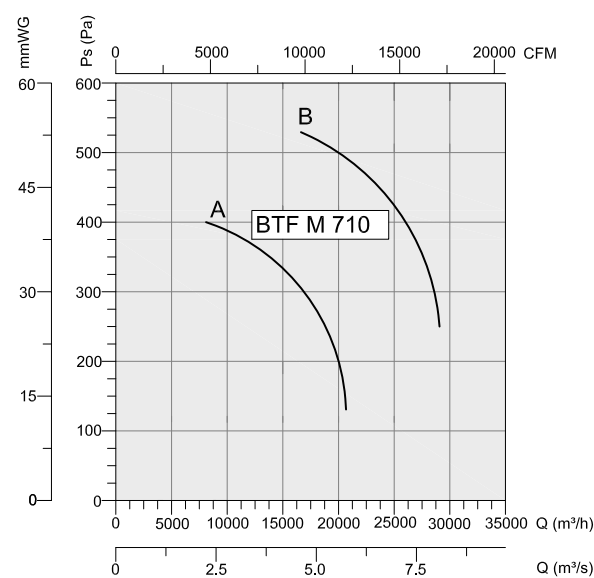
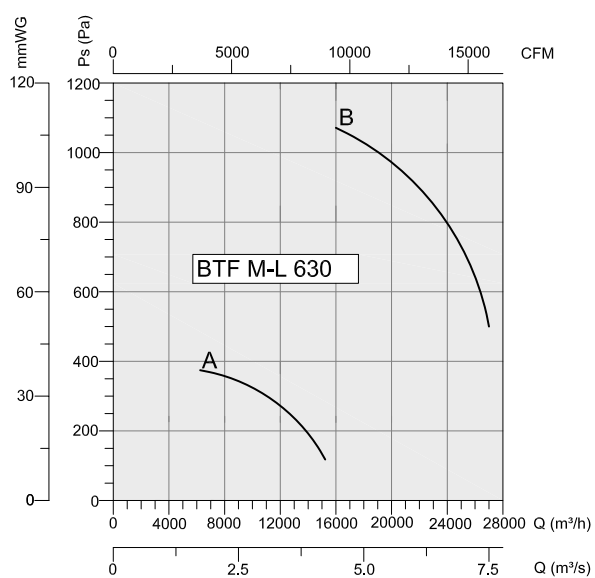
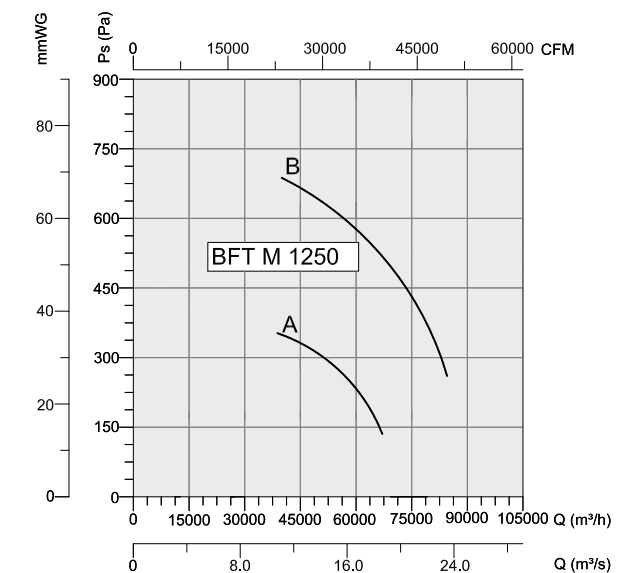
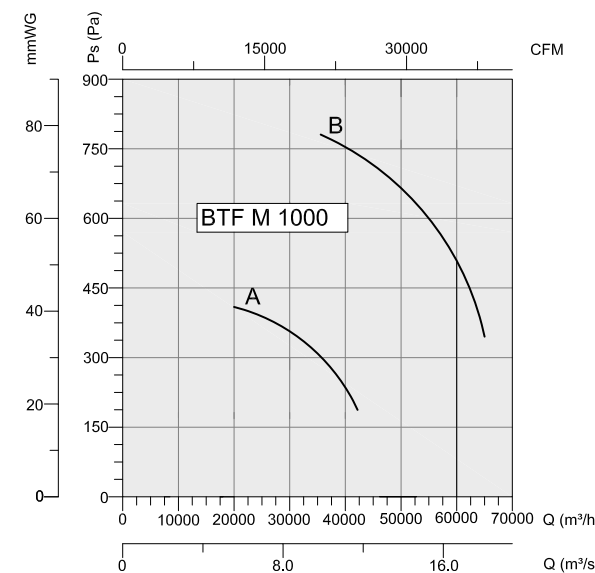
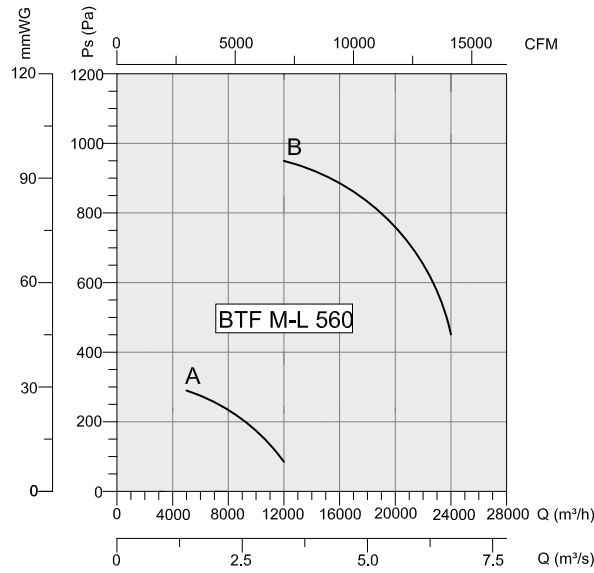
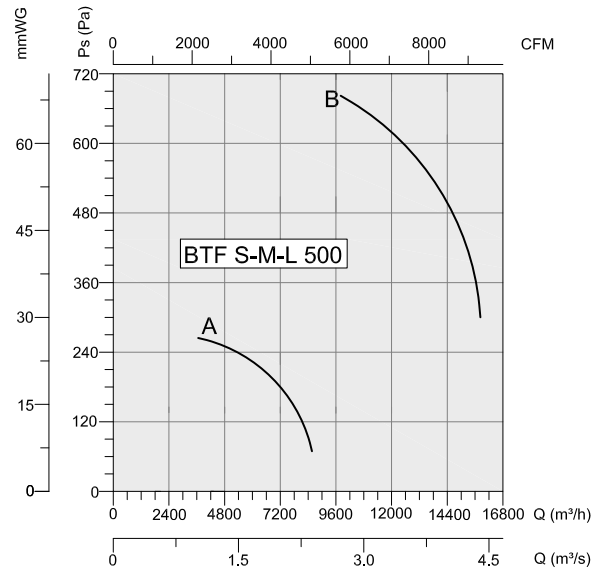
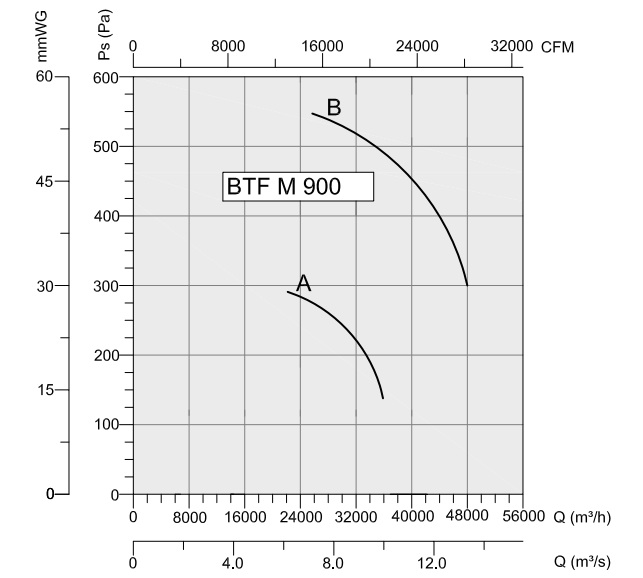
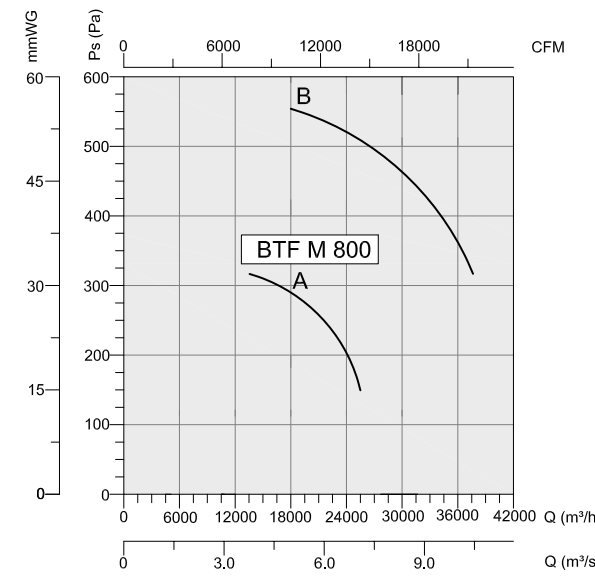
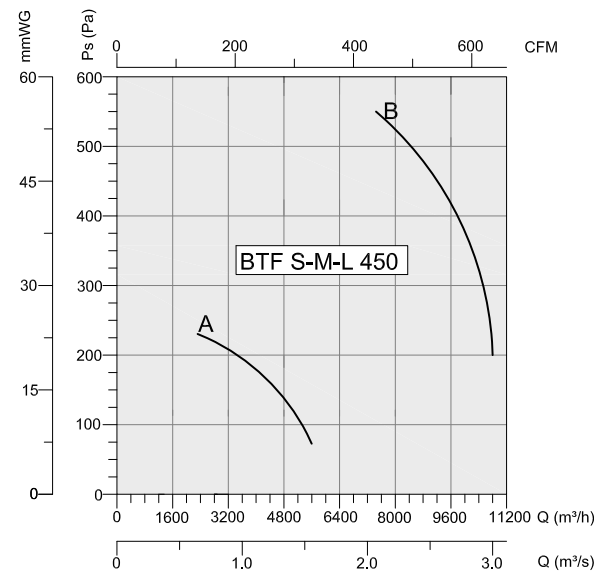
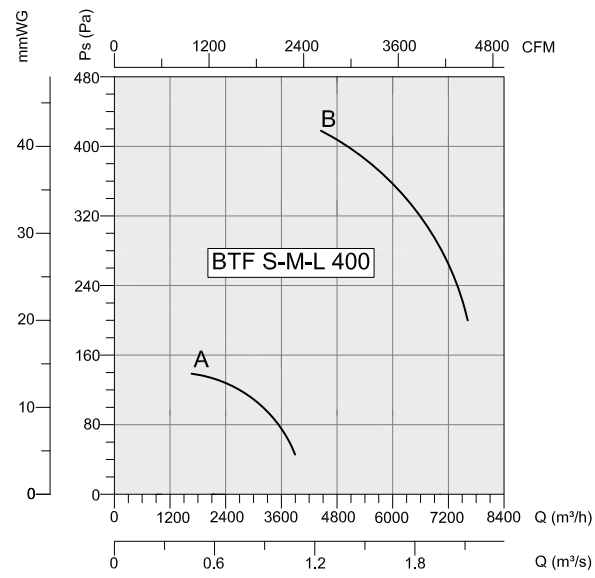


TYPE	MOTOR	A	B	C	D	E	F	NxØ	Kg
BTFS 315-A	63 A4	315	350	385	105	-	248	8X10	7
BTFS 315-B	71 B2	315	350	385	105	-	266	8X10	11
BTFS 355-A	63 A4	355	390	425	105	-	248	8X10	7,5
BTFS 355-B	80 A2	355	390	425	105	-	280	8X10	11,5
BTFS 400-A	63 B4	400	435	470	105	-	248	8X10	11
BTFS 400-B	80 B2	400	435	470	105	-	285	8X10	17
BTFS 450-A	71 A4	450	485	520	105	-	270	8X10	12,5
BTFS 500-A	80 A4	500	535	570	155	-	296	8X10	22
BTFM 315-A	63 A4	315	350	385		200	258	8X10	7,5
BTFM 315-B	71 B2	315	350	385		200	265	8X10	11,5
BTFM 355-A	63 A4	355	390	425		200	258	8X10	8
BTFM 355-B	80 A2	355	390	425		200	282	8X10	12
BTFM 400-A	63 B4	400	435	470		200	258	8X10	11,5
BTFM 400-B	80 B2	400	435	470		200	282	8X10	17,5
BTFM 450-A	71 A4	450	485	520		200	265	8X10	14
BTFM 450-B	90 L2	450	485	520		200	334	8X10	23
BTFM 500-A	80 A4	500	535	570		270	305	8X10	22
BTFM 500-B	112 M2	500	535	570		270	413	8X10	38
BTFM 560-A	80 B4	560	595	630		270	305	8X10	24
BTFM 560-B	132 SB2	560	595	630		270	495	8X10	65
BTFM 630-A	90 S4	630	665	700		270	340	8X10	35
BTFM 630-B	132 MB2	630	665	700		270	505	8X10	80
BTFM 710-A	100 LA4	710	745	780		300	420	8X10	55
BTFM 710-B	112 M4	710	745	780		300	425	8X10	65
BTFM 800-A	112 M6	800	835	870		300	445	8X10	70
BTFM 800-B	132 MB4	800	835	870		300	505	8X10	96
BTFM 900-A	132 SA6	900	935	970		350	505	8X10	100
BTFM 900-B	132 MB4	900	935	970		350	505	8X10	130
BTFM 1000-A	132 MB6	1000	1035	1070		415	510	8X10	135
BTFM 1000-B	160 L4	1000	1035	1070		415	675	8X10	185
BTFM 1250-A	160 M8	1250	1285	1320		500	685	8X10	220
BTFM 1250-B	180 L6	1250	1285	1320		500	760	8X10	270
BTFM 1400-A	180 L8	1400	1435	1470		500	755	8X10	345
BTFM 1400-B	200 LB6	1400	1435	1470		500	755	8X10	375



TYPE	MOTOR	A	B	C	L	NxØ	Kg
BTFL 315-A	63 A4	315	350	385	300	8X10	10
BTFL 315-B	71 B2	315	350	385	300	8X10	14
BTFL 355-A	63 A4	355	390	425	300	8X10	10,5
BTFL 355-B	80 A2	355	390	425	300	8X10	15
BTFL 400-A	63 B4	400	435	470	415	8X10	16
BTFL 400-B	80 B2	400	435	470	415	8X10	22
BTFL 450-A	71 A4	450	485	520	465	8X10	20
BTFL 450-B	90 L2	450	485	520	465	8X10	29
BTFL 500-A	80 A4	500	535	570	500	8X10	30
BTFL 500-B	112 M2	500	535	570	500	8X10	46
BTFL 560-A	80 B4	560	595	630	500	8X10	34
BTFL 560-B	132 SB2	560	595	630	500	8X10	75
BTFL 630-A	90 S4	630	665	700	500	8X10	47
BTFL 630-B	132 MB2	630	665	700	500	8X10	92

TYPE	MOTOR TYPE	POWER	SPEED	FREQUENCY	SOUND PRESSURE LEVEL	AIR FLOW	PRESSURE
BTFM-BTFS-BTFL 315-A	63 A4	0,18	1350	50	60	2100	60
BTFM-BTFS-BTFL 315-B	71 B2	0,55	2750	50	75	4000	250
BTFM-BTFS-BTFL 355-A	63 A4	0,18	1350	50	62	2600	60
BTFM-BTFS-BTFL 355-B	80 A2	0,75	2800	50	77	5500	250
BTFM-BTFS-BTFL 400-A	63 B4	0,18	1350	50	65	3300	80
BTFM-BTFS-BTFL 400-B	80 B2	1,1	2850	50	80	6700	300
BTFM-BTFS-BTFL 450-A	71 A4	0,25	1350	50	70	4700	100
BTFM-BTFL 450-B	90 L2	2,2	2900	50	85	9500	400
BTFM-BTFS-BTFL 500-A	80 A4	0,55	1400	50	72	7800	140
BTFM-BTFL 500-B	112 M2	4	2900	50	87	14000	500
BTFM-BTFL 560-A	80 B4	0,75	1400	50	73	10500	160
BTFM-BTFL 560-B	132 SB2	7,5	2900	50	89	22000	650
BTFM-BTFL 630-A	90 S4	1,1	1400	50	67	14000	160
BTFM-BTFL 630-B	132 MB2	9	2900	50	92	25000	700
BTFM 710-A	100 LA4	2,2	1400	50	76	18000	250
BTFM 710-B	112 M4	4	1450	50	79	26000	350
BTFM 800-A	112 M6	2,2	950	50	71	25500	160
BTFM 800-B	132 MB4	7,5	1450	50	80	37000	450
BTFM 900-A	132 SA6	3	950	50	75	30500	200
BTFM 900-B	132 MB4	7,5	1450	50	82	40000	450
BTFM 1000-A	132 MB6	4	950	50	77	36000	250
BTFM 1000-B	160 L4	15	1450	50	88	57000	550
BTFM 1250-A	160 M8	5,5	720	50	77	60000	200
BTFM 1250-B	180 L6	15	950	50	86	72000	450
BTFM 1400-A	180 L8	11	720	50	80	80000	300
BTFM 1400-B	200 LB6	22	950	50	88	107000	500



Accessories

BSC-F

DUCT FANS

ROOF FANS

AXIAL FANS

RADIAL FANS

JET FANS

PLASTIC FANS

VENTILATORS

ACCESSORIES